



Chipsmall Limited consists of a professional team with an average of over 10 year of expertise in the distribution of electronic components. Based in Hongkong, we have already established firm and mutual-benefit business relationships with customers from,Europe,America and south Asia,supplying obsolete and hard-to-find components to meet their specific needs.

With the principle of "Quality Parts,Customers Priority,Honest Operation,and Considerate Service",our business mainly focus on the distribution of electronic components. Line cards we deal with include Microchip,ALPS,ROHM,Xilinx,Pulse,ON,Everlight and Freescale. Main products comprise IC,Modules,Potentiometer,IC Socket,Relay,Connector.Our parts cover such applications as commercial,industrial, and automotives areas.

We are looking forward to setting up business relationship with you and hope to provide you with the best service and solution. Let us make a better world for our industry!



Contact us

Tel: +86-755-8981 8866 Fax: +86-755-8427 6832

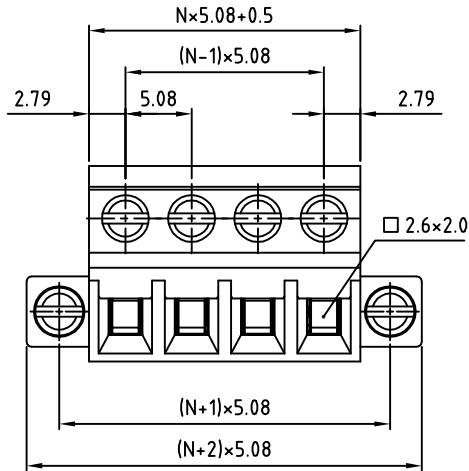
Email & Skype: info@chipsmall.com Web: www.chipsmall.com

Address: A1208, Overseas Decoration Building, #122 Zhenhua RD., Futian, Shenzhen, China

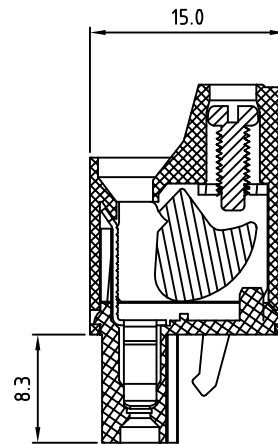
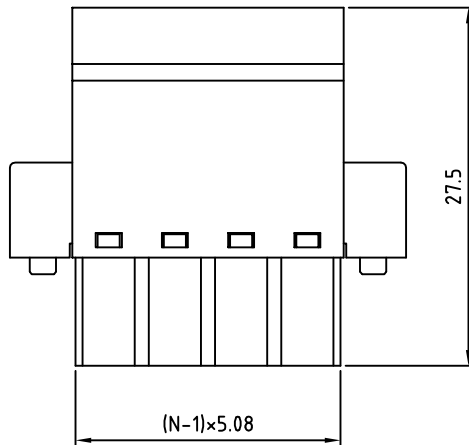


SIGN	DATE	DESCRIPTION	APPROVER

THIS IS CAD DRAWING, DO NOT REVISE MANUALLY!!!



N=Number of poles



- Material:
- Terminal body
 - (metal housing): Steel
 - Terminal screw: Steel Zinc plating "-" slot type.
 - Wire guard: PhBz(CuSn), Tin plated.
 - Insulator(housing): Thermoplastic (UL94V-0)
 - With flange screw: Steel Zinc plated, M2.5
- Electrical: cULus / TUV
- Voltage rating: 300V / 300V
 - Current rating: 20A / 20A
 - Wire range: 0.34-2.5mm²
 - Solid wire(AWG): 12-22
 - Stranded wire(AWG): 12-22
 - Torque: 3.5 Lb-In / 0.4N.m
 - Screw: M2.5
 - Wire strip length: 6-7mm
 - Withstanding Voltage: 1.6KV / 2.5KV
 - Operating temperature: -30°C to +105°C
 - Safety Approval: RoHS Compliant

PART NUMBER:

OSTVMXX5552

No. of Poles	COLOR
02 2 Poles	0: Black
03 3 Poles	5: Green (Standard)
... ..	6: Blue
24 24 Poles	8: Grey

OST ON-SHORE TECHNOLOGY, INC.

THESE DRAWINGS AND SPECIFICATIONS ARE THE PROPERTY OF ON-SHORE TECHNOLOGY, INC. AND SHALL NOT BE REPRODUCED, COPIED OR USED IN ANY MANNER WITHOUT THE PRIOR WRITTEN CONSENT OF ON-SHORE TECHNOLOGY, INC.

TITLE	OSTVM 5.08mm Series W/Flange			DWG NO.	OSTVMXX5552.DWG	
PART NO.	OSTVMXX5552			CUST NO.		
APPROVED	CHECKED	DESIGNED	DRAWN	Tolerance		
Shi Jun 2006.10.25	Shi Jun 2006.10.25	Tony 2006.10.25	Tony 2006.10.25	X. ±0.50		
				UNIT: mm		X.X ±0.30
				SCALE: NONE		X.XX ±0.10
SHEET: 01/01				REV: D	X° ±1°	