



Chipsmall Limited consists of a professional team with an average of over 10 year of expertise in the distribution of electronic components. Based in Hongkong, we have already established firm and mutual-benefit business relationships with customers from,Europe,America and south Asia,supplying obsolete and hard-to-find components to meet their specific needs.

With the principle of "Quality Parts,Customers Priority,Honest Operation,and Considerate Service",our business mainly focus on the distribution of electronic components. Line cards we deal with include Microchip,ALPS,ROHM,Xilinx,Pulse,ON,Everlight and Freescale. Main products comprise IC,Modules,Potentiometer,IC Socket,Relay,Connector.Our parts cover such applications as commercial,industrial, and automotives areas.

We are looking forward to setting up business relationship with you and hope to provide you with the best service and solution. Let us make a better world for our industry!



## Contact us

Tel: +86-755-8981 8866 Fax: +86-755-8427 6832

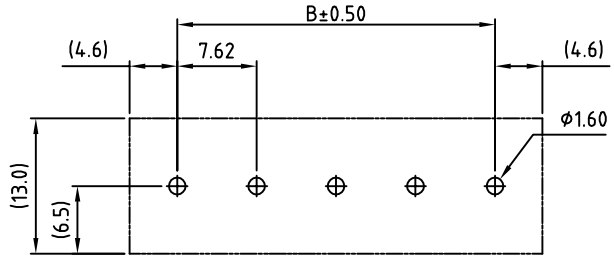
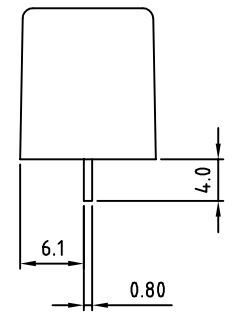
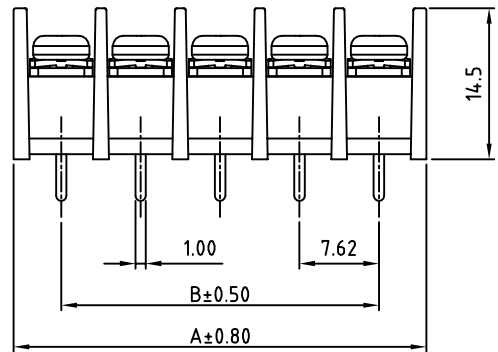
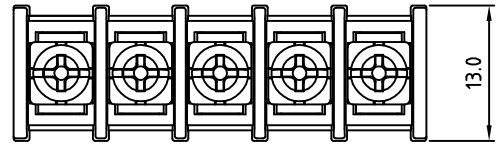
Email & Skype: info@chipsmall.com Web: www.chipsmall.com

Address: A1208, Overseas Decoration Building, #122 Zhenhua RD., Futian, Shenzhen, China



SIGN	DATE	DESCRIPTION	APPROVER

THIS IS CAD DRAWING, DO NOT REVISE MANUALLY!!!



P.C.B LAYOUT

**SPECIFICATIONS**  
**VOLTAGE & CURRENT:** 250 V, 15 A  
**WITHSTANDING VOLTAGE:** AC 2000 V/Min  
**INSULATION RESISTANCE:** 1000 MΩ OR MORE AT DC 500 V  
**TEMPERATURE RANGE:** -40 °C ~+105 °C  
**SCREW TORQUE VALUE:** 5.3 Lb-In.  
**WIRE RANGE:** 22 - 16 AWG  
**1) MOLDED PARTS:** THERMOPLASTIC, UL 94 V-0 BLACK  
**2) TERMINAL:** BRASS, 0.8t, Tin PLATED  
**3) TERMINAL SCREWS:** STEEL, Ni PLATED, M3  
**APPROVAL:**

RoHS Compliant

**PART NUMBER:**  
 OSTYK313XX030  
**NO. OF POLES**  
 02: 2 POLES  
 03: 3 POLES  
 04: 4 POLES  
 ⋮  
 30: 30 POLES

POLE	1	2	3	4	5	6	7	8	9	10	11	12	13	14	15
A	16.74	24.36	31.98	39.60	47.22	54.84	62.46	70.08	77.70	85.32	92.94	100.56	108.18	115.80	
B	7.62	15.24	22.86	30.48	38.10	45.72	53.34	60.96	68.58	76.20	83.82	91.44	99.06	106.68	
POLE	16	17	18	19	20	21	22	23	24	25	26	27	28	29	30
A	123.42	131.04	138.66	146.28	153.90	161.52	169.14	176.76	184.38	192.00	199.62	207.24	214.86	222.48	230.10
B	114.30	121.92	129.54	137.16	144.78	152.40	160.02	167.64	175.26	182.88	190.50	198.12	205.74	213.36	220.98

THESE DRAWINGS AND SPECIFICATIONS ARE THE PROPERTY OF ON-SHORE TECHNOLOGY, INC. AND SHALL NOT BE REPRODUCED, COPIED OR USED IN ANY MANNER WITHOUT THE PRIOR WRITTEN CONSENT OF ON-SHORE TECHNOLOGY, INC.



TITLE		OSTYK-313 W/O Flange Series				
PART NO.		OSTYK313XX030			DWG NO.	OSTYK313XX030.DWG
APPROVED	CHECKED	DESIGNED	DRAWN	CUST NO.	Tolerance	
Shi Jun 2007.07.18	Seamus 2007.07.18	LUCY 2007.7.18	LUCY 2007.7.18			UNIT: mm X. ±0.50
						SCALE: NONE X.XX ±0.30
					SHEET: 01/01	REV.: C X° ±1°