



Chipsmall Limited consists of a professional team with an average of over 10 year of expertise in the distribution of electronic components. Based in Hongkong, we have already established firm and mutual-benefit business relationships with customers from,Europe,America and south Asia,supplying obsolete and hard-to-find components to meet their specific needs.

With the principle of “Quality Parts,Customers Priority,Honest Operation,and Considerate Service”,our business mainly focus on the distribution of electronic components. Line cards we deal with include Microchip,ALPS,ROHM,Xilinx,Pulse,ON,Everlight and Freescale. Main products comprise IC,Modules,Potentiometer,IC Socket,Relay,Connector.Our parts cover such applications as commercial,industrial, and automotives areas.

We are looking forward to setting up business relationship with you and hope to provide you with the best service and solution. Let us make a better world for our industry!



## Contact us

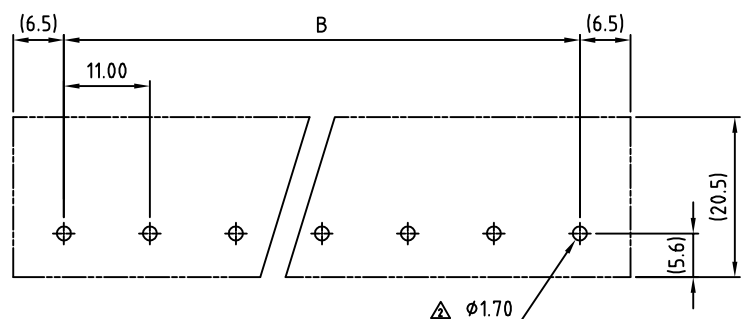
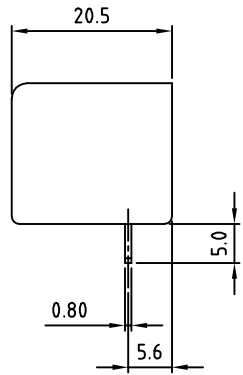
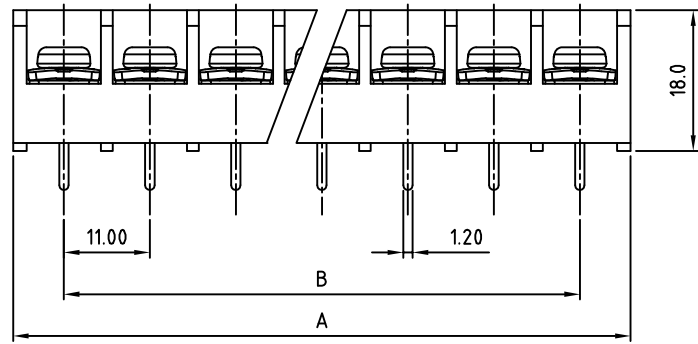
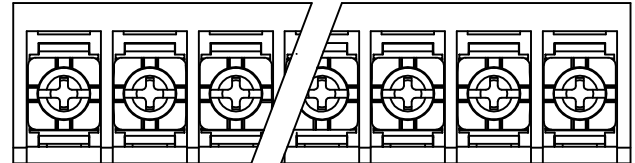
Tel: +86-755-8981 8866 Fax: +86-755-8427 6832

Email & Skype: info@chipsmall.com Web: www.chipsmall.com

Address: A1208, Overseas Decoration Building, #122 Zhenhua RD., Futian, Shenzhen, China



SIGN	DATE	DESCRIPTION	APPROVER
THIS IS CAD DRAWING, DO NOT REVISE MANUALLY!!!			



PCB Layout

**SPECIFICATIONS**

**ELECTRICAL**  
**VOLTAGE & CURRENT:** 300 V, 30 A  
**WITHSTANDING VOLTAGE:** AC 2000 V/Min  
**INSULATION RESISTANCE:** 1000 M $\Omega$  OR MORE AT DC 500 V  
**TEMPERATURE RANGE:** -40 °C ~ +105 °C  
**SCREW TORQUE VALUE:** 9.5 Lb-In.  
**WIRE RANGE:** 22 - 10 (str/sol) AWG  
**1) MOLDED PARTS:** POLYIMIDE 66, UL 94 V-0 BLACK  
**2) TERMINAL:** BRASS, 0.8t, Tin PLATED  
**3) TERMINAL SCREWS:** STEEL, Ni PLATED, M4

● Safety Approval: us

RoHS Compliant

PART NUMBER:

**OSTYK551XX030**

No. of Poles  
 02: 2 Poles  
 03: 3 Poles  
 04: 4 Poles  
 ⋮  
 20: 20 Poles

POLE	2	3	4	5	6	7	8	9	10	11	12	13	14	15	16	
A	24.00	35.00	46.00	57.00	68.00	79.00	90.00	101.0	112.0	123.0	134.0	145.0	156.0	167.0	178.0	
B	11.00	22.00	33.00	44.00	55.00	66.00	77.00	88.00	99.00	110.0	121.0	132.0	143.0	154.0	165.0	
TOL	±0.30			±0.40				±0.50								
POLE	17	18	19	20												
A	189.0	200.0	211.0	222.0												
B	176.0	187.0	198.0	209.0												
TOL	±0.60															

THESE DRAWINGS AND SPECIFICATIONS ARE THE PROPERTY OF ON-SHORE TECHNOLOGY, INC. AND SHALL NOT BE REPRODUCED, COPIED OR USED IN ANY MANNER WITHOUT THE PRIOR WRITTEN CONSENT OF ON-SHORE TECHNOLOGY, INC.

TITLE		OSTYK-551 w/o Flange Series			
PART NO.	OSTYK551XX030	DWG NO.	OSTYK551XX030.DWG		
APPROVED	CHECKED	DESIGNED	DRAWN	CUST NO.	
Shi Jun 2006.11.07	Seamus 2006.11.06	Steady 2006.10.21	Steady 2006.10.21		
				UNIT: mm	Tolerance
				SCALE: NONE	X. ±0.50
				SHEET: 01/01	REV.: D
					X.X ±0.30
					X.XX ±0.10
					X° ±1°