



Chipsmall Limited consists of a professional team with an average of over 10 year of expertise in the distribution of electronic components. Based in Hongkong, we have already established firm and mutual-benefit business relationships with customers from,Europe,America and south Asia,supplying obsolete and hard-to-find components to meet their specific needs.

With the principle of “Quality Parts,Customers Priority,Honest Operation,and Considerate Service”,our business mainly focus on the distribution of electronic components. Line cards we deal with include Microchip,ALPS,ROHM,Xilinx,Pulse,ON,Everlight and Freescale. Main products comprise IC,Modules,Potentiometer,IC Socket,Relay,Connector.Our parts cover such applications as commercial,industrial, and automotives areas.

We are looking forward to setting up business relationship with you and hope to provide you with the best service and solution. Let us make a better world for our industry!



Contact us

Tel: +86-755-8981 8866 Fax: +86-755-8427 6832

Email & Skype: info@chipsmall.com Web: www.chipsmall.com

Address: A1208, Overseas Decoration Building, #122 Zhenhua RD., Futian, Shenzhen, China



OTX-ACC Data Sheet



Product Description



Minimize the risk of damage and give your OEM transmitter a distinctive product look. This durable skin provides enhanced protection from scratches, bumps, and minor falls for any Linx OEM compact or long-range handheld transmitter. The skin is a perfect way to enhance the perceived value of your OEM product and better protect transmitters in challenging consumer and industrial environments. The included belt clip accommodates the extra thickness of the skin while providing an attachment point for the optional leash. The leash allows for convenient carrying alternatives or attachment to fixed equipment. The skin and belt clip may be ordered as a factory installed option or separately as an easily installed kit.

Features

- Cost-effective
- Comfortable, ergonomic design
- Provides a rugged, cosmetically attractive appearance
- Rubberized exterior provides a secure grip
- Enhanced protection from scratches and minor bumps and falls
- Easy access opening for address selection or programming
- Fits OTX-LR8, OTX-CP8, CMD-HHLR and CMD-HHCP models
- Optional leash for convenient carrying or tethered equipment attachment
- Standard colors are gray and black
- Custom colors available for high volume orders

Ordering Information

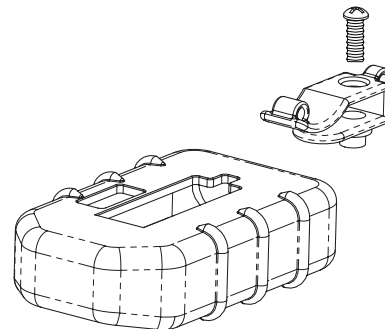
OTX-ACC-KIT-HH-OEM-x (factory installed)

OTX-ACC-KIT-HH-xxx (case and belt clip for retro-fit)

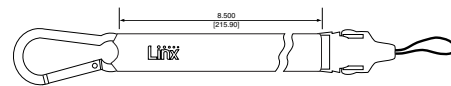
OTX-ACC-KIT-LSH-8.5 (optional 8.5" leash with belt clip cord)

x = G (gray); B (black) | xxx = GRY (gray); BLK (black)

Product Components



Case and belt clip (OTX-ACC-KIT-HH-x)



Optional leash (OTX-ACC-LSH-8.5)

Installation Instructions

1. Remove belt clip from CMD or OTX Handheld.
2. Install OTX-ACC-BOOT-HH-xxx (1) over Handheld.
3. Install OTX-ACC-CLP-HH-xxx (2) using screw retained from Step 1. Torque screw to 4.0 IN.-LB (0.45 N-m). Avoid overtightening of screw and causing deformation at the side of the enclosure.

