



Chipsmall Limited consists of a professional team with an average of over 10 year of expertise in the distribution of electronic components. Based in Hongkong, we have already established firm and mutual-benefit business relationships with customers from,Europe,America and south Asia,supplying obsolete and hard-to-find components to meet their specific needs.

With the principle of “Quality Parts,Customers Priority,Honest Operation,and Considerate Service”,our business mainly focus on the distribution of electronic components. Line cards we deal with include Microchip,ALPS,ROHM,Xilinx,Pulse,ON,Everlight and Freescale. Main products comprise IC,Modules,Potentiometer,IC Socket,Relay,Connector.Our parts cover such applications as commercial,industrial, and automotives areas.

We are looking forward to setting up business relationship with you and hope to provide you with the best service and solution. Let us make a better world for our industry!



Contact us

Tel: +86-755-8981 8866 Fax: +86-755-8427 6832

Email & Skype: info@chipsmall.com Web: www.chipsmall.com

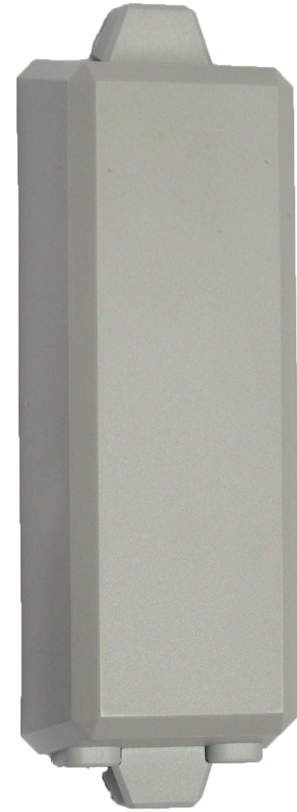
Address: A1208, Overseas Decoration Building, #122 Zhenhua RD., Futian, Shenzhen, China



Mini Patch Panel Antenna

Features

- Multi Frequency Operates at:
- 433 / 868MHz
- GSM 900/1800/1900MHz/UMTS
- Max gain: +3dB
- VSWR <4:1
- 50ohm
- 3m RG174 Lead SMA (M)
- Waterproof ABS Enclosure
- Dimensions 130 x 45 x 27mm
- Alternative Connectors: FME / Mini-UHF / TNC
- Vertical Polarization
- Operating Temp -30 to +85°C



Two Mounting Options

- Mounting 2 x 3mm screws, or
- Centre Panel mount Bolt

Description

A Miniature Patch Panel Antenna ideal for external use. This antenna can operate at 433, 868, 900, 1800, 1900, UMTS frequencies.

This antenna should be vertically mounted on any surface (can be metallic or non metallic), and provides an excellent performance within a compact discrete enclosure.

Applications

- Range Extension for;
- General Low Power Radio
- GSM / UMTS
- M2M Applications

OUTSIDE-T/OUTSIDE-W



Wall Mount Version

Two fixing holes (DIA 4mm) top and bottom.

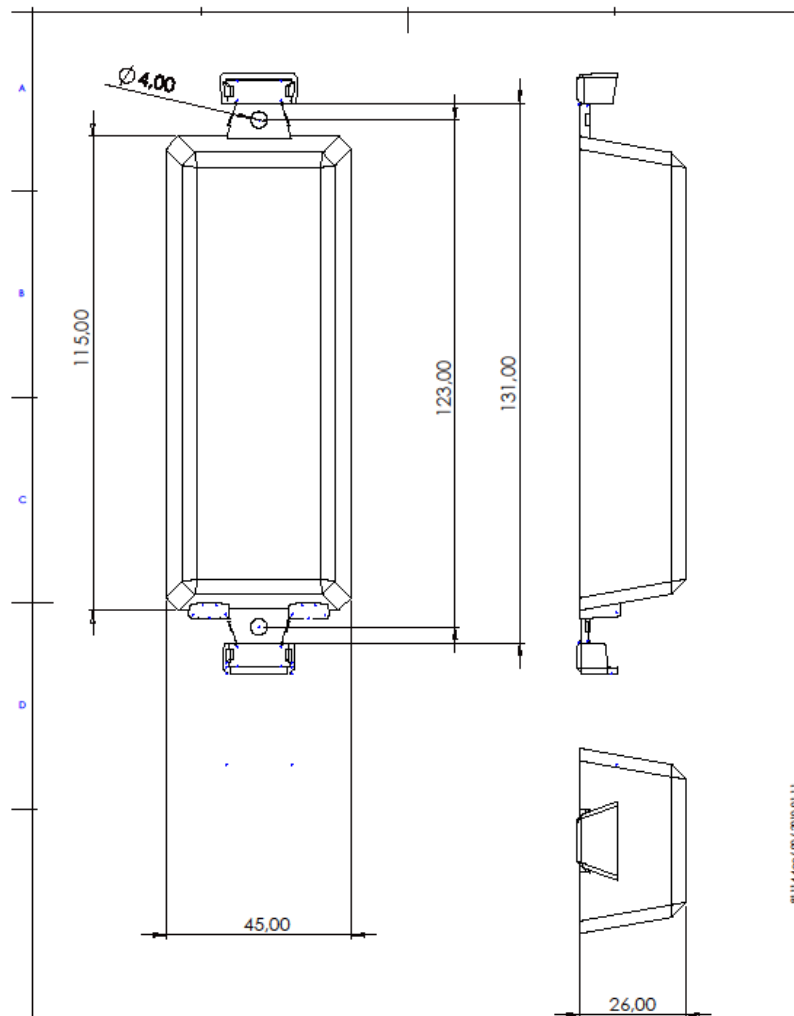
Flanges clip over to cover.

Ordering Information

Part Number	Cable	Connector
OUTSIDE-WSMA	3metres RG174	SMA(M)
OUTSIDE-WFME	3metres RG174	FME



Mechanical Dimensions



Dimension not on drawing, refers to 2D/3D-file.

POS	QTY	Name	Material	Dimension / Colour	Scale	Rev.	Rev.
1	1	OutSide W					
		RF Solutions Ltd	Design: XX	ISO 2768-1m	1:1	81114	00
			Appr: XX	2010-01-11		81114-400	

OUTSIDE-T/OUTSIDE-W



Through Hole Mount Version

Single Fixing Bolt from centre of rear

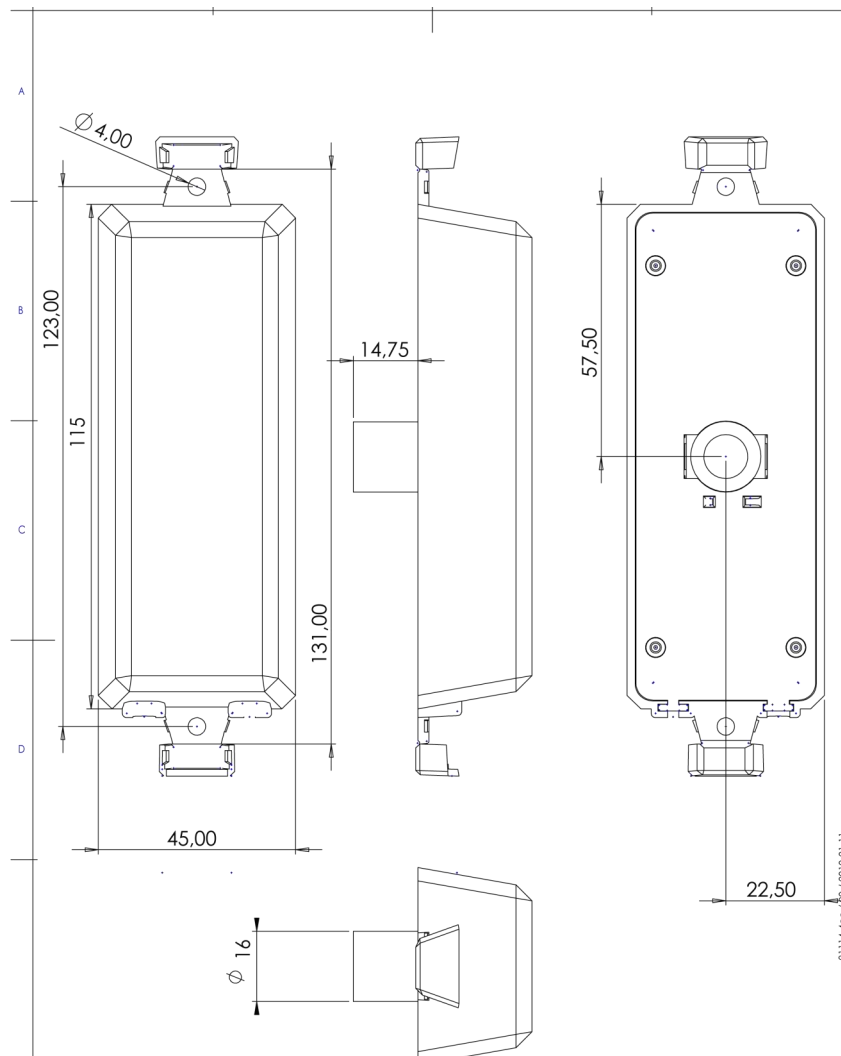
Cable exits through fixing Bolt



Ordering Information

Part Number	Cable	Connector
OUTSIDE-TSMA	3metres RG174	SMA(M)
OUTSIDE-TFME	3metres RG174	FME

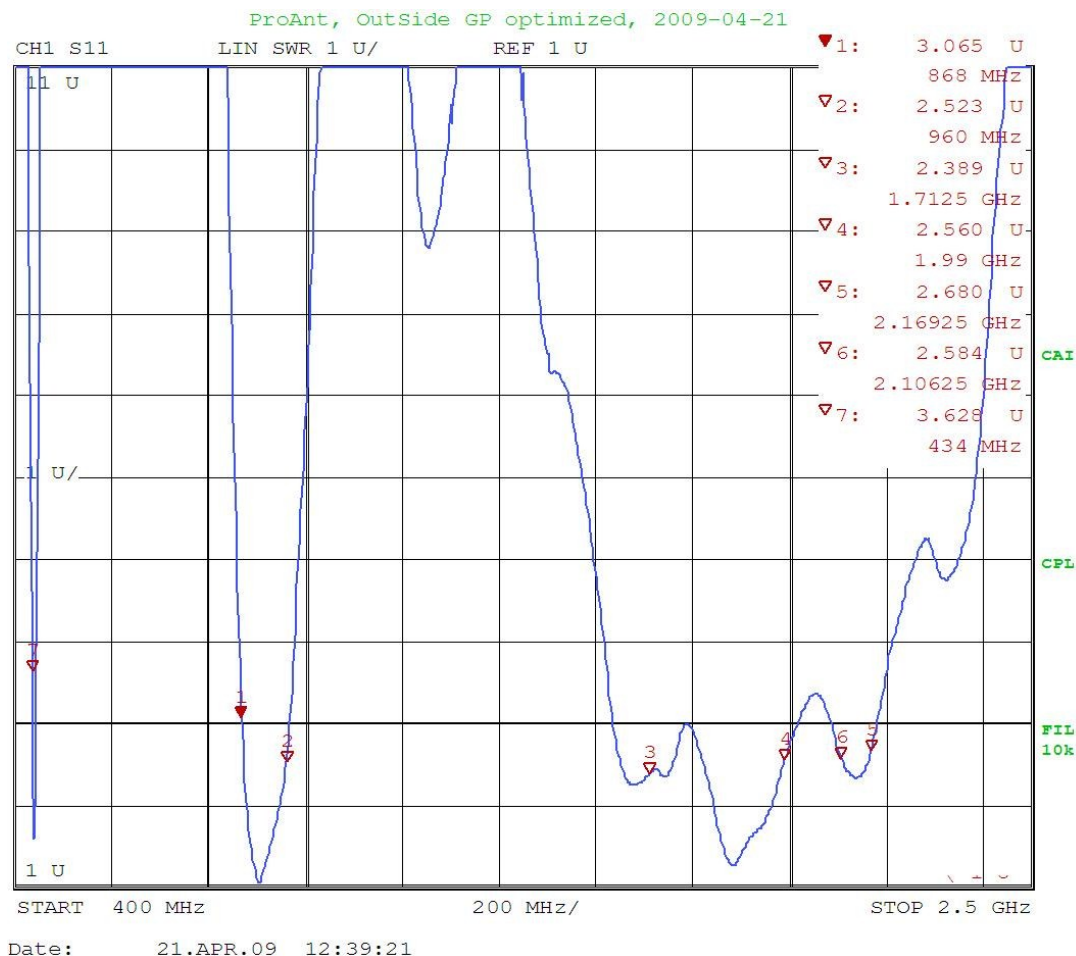
Mechanical Dimensions



Dimension not on drawing, refers to 2D/3D-file.

POS	QTY	Name	Material	Dimension / Colour	Remark
1	1	OutSide GP TH			
		RF Solutions Ltd	Design: XX Drawn: XX Appr.: XX	Tolerans: ISO 2768-1m Scale: 1:1 Date: 2010-01-11	Rev: 00 Sku no: 81114 81114-400

Performance / VSWR Plot



RF Solutions Ltd. Recycling Notice

Meets the following EC Directives:

DO NOT

Discard with normal waste, please recycle.

ROHS Directive 2002/95/EC

Specifies certain limits for hazardous substances.

WEEE Directive 2002/96/EC

Waste electrical & electronic equipment. This product must be disposed of through a licensed WEEE collection point. RF Solutions Ltd., fulfils its WEEE obligations by membership of an approved compliance scheme.

Waste Batteries and Accumulators

Directive 2006/66/EC

Where batteries are fitted, before recycling the product, the batteries must be removed and disposed of at a licensed collection point.

Environment Agency producer registration number: WEE/JB0104WV.

Disclaimer:

Whilst the information in this document is believed to be correct at the time of issue, RF Solutions Ltd does not accept any liability whatsoever for its accuracy, adequacy or completeness. No express or implied warranty or representation is given relating to the information contained in this document. RF Solutions Ltd reserves the right to make changes and improvements to the product(s) described herein without notice. Buyers and other users should determine for themselves the suitability of any such information or products for their own particular requirements or specification(s). RF Solutions Ltd shall not be liable for any loss or damage caused as a result of user's own determination of how to deploy or use RF Solutions Ltd's products. Use of RF Solutions Ltd products or components in life support and/or safety applications is not authorised except with express written approval. No licences are created, implicitly or otherwise, under any of RF Solutions Ltd's intellectual property rights. Liability for loss or damage resulting or caused by reliance on the information contained herein or from the use of the product (including liability resulting from negligence or where RF Solutions Ltd was aware of the possibility of such loss or damage arising) is excluded. This will not operate to limit or restrict RF Solutions Ltd's liability for death or personal injury resulting from its negligence.