



Chipsmall Limited consists of a professional team with an average of over 10 year of expertise in the distribution of electronic components. Based in Hongkong, we have already established firm and mutual-benefit business relationships with customers from,Europe,America and south Asia,supplying obsolete and hard-to-find components to meet their specific needs.

With the principle of “Quality Parts,Customers Priority,Honest Operation,and Considerate Service”,our business mainly focus on the distribution of electronic components. Line cards we deal with include Microchip,ALPS,ROHM,Xilinx,Pulse,ON,Everlight and Freescale. Main products comprise IC,Modules,Potentiometer,IC Socket,Relay,Connector.Our parts cover such applications as commercial,industrial, and automotives areas.

We are looking forward to setting up business relationship with you and hope to provide you with the best service and solution. Let us make a better world for our industry!



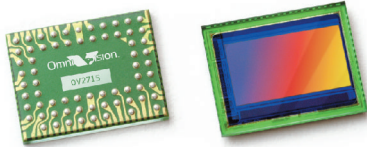
Contact us

Tel: +86-755-8981 8866 Fax: +86-755-8427 6832

Email & Skype: info@chipsmall.com Web: www.chipsmall.com

Address: A1208, Overseas Decoration Building, #122 Zhenhua RD., Futian, Shenzhen, China





OV2715 full HD (1080p) product brief



OmniVision's True 1080p High Definition (HD) Video Image Sensor



available in
a lead-free
package

The OV2715 is a native 1080p high definition (HD) CMOS image sensor designed specifically to deliver HD video to security/surveillance applications. Built with OmniVision's proprietary OmniPixel3-HS™ technology, the 1/3-inch OV2715 addresses the low-light performance requirements of both IP cameras and HDctv.

The OV2715 is one of the first no-compromise full 1080p HD sensors available on the market with a display resolution of 1920 x 1080 pixels while operating at 30 frames per second. The sensor delivers low-light sensitivity of 3300 mV/(lux-sec) and a peak dynamic range of 69 dB. This enables cameras to operate in virtually every lighting condition from bright daylight to nearly complete darkness, a critical capability for security and surveillance cameras.

The sensor provides full frame, sub-sampled or windowed 8-bit/10-bit images in raw RGB format via the digital video port with complete user control over image quality. It incorporates advanced image processing functions, including exposure control, gain control, white balance, lens correction and defective pixel correction, and is fully programmable through the serial camera control bus (SCCB) interface.

Offering a zero degree chief ray angle, the OV2715 allows for the clearest possible picture and best-in-class image quality. The OV2715 is capable of operating within a temperature range of -30°C to +70°C, enabling its implementation in indoor and outdoor security and surveillance applications.

Find out more at www.ovt.com.

Applications

- Security & Surveillance

Product Features

- programmable controls: gain, exposure, frame rate, image size, horizontal mirror, vertical flip, cropping, windowing, and panning
- automatic image control functions:
 - automatic exposure (AEC)
 - automatic gain control (AGC)
 - automatic white balance (AWB)
 - automatic black level calibration (ABLC)
- serial camera control bus (SCCB)
- lens correction (LENC)
- defective pixel correction (DPC)
- support for digital video port (DVP) parallel output interface
- integrated auto focus filter
- support for one lane MIPI interface (up to 800 Mbps)
- support for 8-/10-bit RAW RGB output format
- support for image sizes:
 - 1080p
 - cropped 720p
 - VGA
 - QVGA
- support for black sun cancellation
- embedded one-time programmable (OTP) memory
- on-chip phase lock loop (PLL)
- built-in 1.5 V regulator for core

OV2715



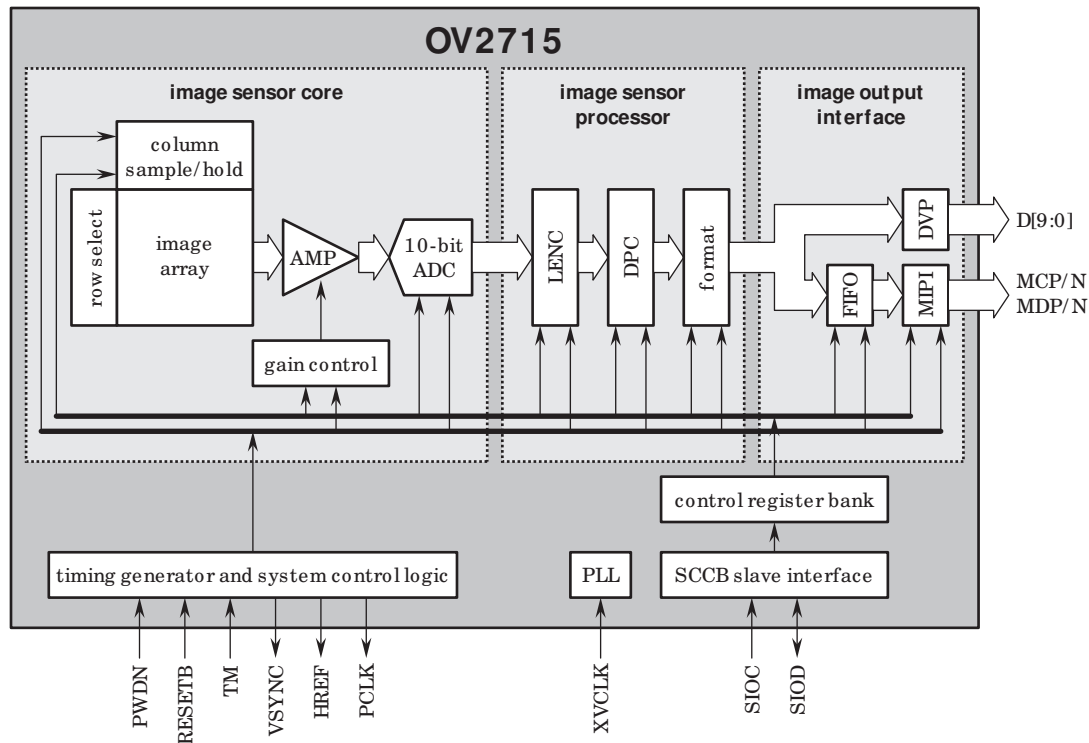
Ordering Information

- OV02715-A68A (color, lead-free, 68-pin CSP3)

Product Specifications

- active array size: 1920 x 1080
- dynamic range: 69 dB
- power supply:
 - analog: 3.0 ~3.6 V (3.3 V typical)
 - core: 1.425 ~1.575 V (1.5 V typical)
 - I/O: 1.7 ~3.6 V (1.8 V typical)
- temperature range:
 - operating: -30°C to 70°C
 - stable image: 0°C to 50°C
- output interfaces: 10-bit parallel/one lane MIPI
- output formats: 10-bit RAW RGB
- lens size: 1/3"
- lens chief ray angle: 0°
- input clock frequency: 6 ~27 MHz
- maximum image transfer rate:
 - 1080p: 30 fps
 - 720p: 60 fps
 - VGA: 120 fps
 - QVGA: 240 fps
- sensitivity: 3300 mV/(lux-sec)
- shutter: rolling
- S/N ratio: 37 dB
- pixel size: 3 μm x 3 μm
- image area: 5856 μm x 3276 μm
- package dimensions: 7465 μm x 5865 μm

Functional Block Diagram



4275 Burton Drive
Santa Clara, CA 95054
USA

Tel: +1 408 567 3000
Fax: +1 408 567 3001
www.ovt.com

OmniVision reserves the right to make changes to their products or to discontinue any product or service without further notice. OmniVision and OmniPixel are registered trademarks of OmniVision Technologies, Inc. The OmniVision logo and OmniPixel3-HS are trademarks of OmniVision Technologies, Inc. All other trademarks are the property of their respective owners.

OmniVision