



Chipsmall Limited consists of a professional team with an average of over 10 year of expertise in the distribution of electronic components. Based in Hongkong, we have already established firm and mutual-benefit business relationships with customers from,Europe,America and south Asia,supplying obsolete and hard-to-find components to meet their specific needs.

With the principle of “Quality Parts,Customers Priority,Honest Operation,and Considerate Service”,our business mainly focus on the distribution of electronic components. Line cards we deal with include Microchip,ALPS,ROHM,Xilinx,Pulse,ON,Everlight and Freescale. Main products comprise IC,Modules,Potentiometer,IC Socket,Relay,Connector.Our parts cover such applications as commercial,industrial, and automotives areas.

We are looking forward to setting up business relationship with you and hope to provide you with the best service and solution. Let us make a better world for our industry!



## Contact us

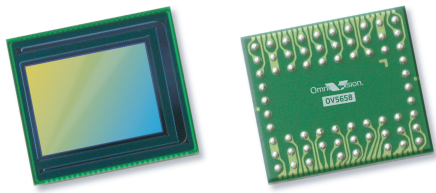
Tel: +86-755-8981 8866 Fax: +86-755-8427 6832

Email & Skype: info@chipsmall.com Web: www.chipsmall.com

Address: A1208, Overseas Decoration Building, #122 Zhenhua RD., Futian, Shenzhen, China







# OV5658 5-megapixel product brief



## Full Resolution 5-Megapixel HD Video with High Dynamic Range for High-End Security and Surveillance Systems



available in  
a lead-free  
package

The OV5658 is a 5-megapixel CameraChip™ sensor designed specifically for high-end security and surveillance applications. The high performance OV5658 leverages a 1.75-micron OmniBSI+™ pixel to deliver industry-leading sensitivity and high dynamic range (HDR) while maintaining the standard form factor for security applications.

The sensor's industry-leading image and video quality ensure crisp and clear scene reproduction, even when recording in difficult lighting conditions. Additionally, the OV5658's resolution (up to 2592 x 1944 pixels) enables

advanced features such as video analytics, biometrics and facial recognition.

The OV5658 is the world's first security targeted, 1/3.2-inch sensor capable of capturing full-resolution 5-megapixel video at 30 frames per second (fps). The sensor is also capable of recording both 1080p or 720p HD video at 60 fps, or at 30 fps with extra pixels for electronic image stabilization (EIS).

Find out more at [www.ovt.com](http://www.ovt.com).



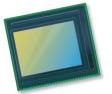
## Applications

- Security and Surveillance

## Product Features

- 1.75  $\mu\text{m}$  x 1.75  $\mu\text{m}$  pixel with OmniBSI™ technology for high performance (high sensitivity, low crosstalk, low noise)
- support for image sizes: 5 Mpixel (2592x1944), EIS 1080p (2112x1188), 1080p (1920x1080), EIS 720p (1536x864), 720p (1280x720), and VGA (640x480)
- programmable controls for frame rate, mirror and flip, cropping, windowing, and scaling
- image quality controls: defect pixel correction, lens shading correction, and black level calibration
- support for output formats: 10-bit RAW RGB
- supports horizontal and vertical subsampling
- fast mode switching
- supports 2x2 binning, re-sampling filter
- supports 3D applications
- EIS 1080p scalar (allows scale down to EIS 1080p or any size below)
- standard serial SCCB interface
- up to 4-lane MIPI/LVDS serial output interface
- embedded 64 bytes of one-time programmable (OTP) memory for part identification, etc.
- two on-chip phase lock loop (PLL)
- programmable I/O drive capability
- built-in 1.5V regulator for core
- supports alternate row HDR timing

# OV5658



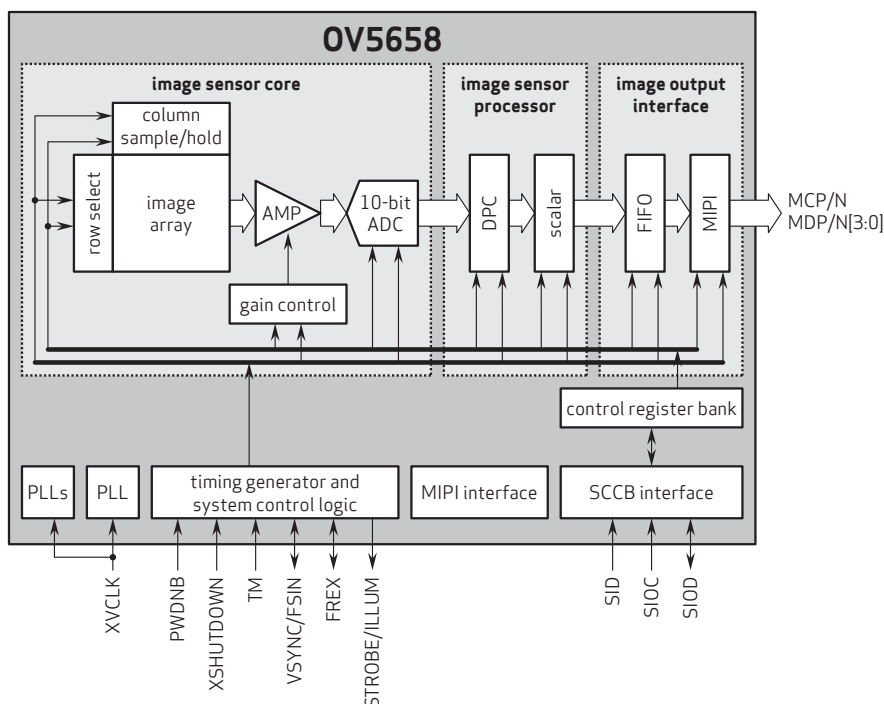
## Ordering Information

- OV05658-G04A**  
(color, chip probing, 200  $\mu\text{m}$  backgrinding, reconstructed wafer with good die)
- OV05658-A66A**  
(color, lead-free, 66-pin CSP3)

## Product Specifications

- active array size:** 2592 x 1944
- input clock frequency:** 6 - 27 MHz
- power supply:**
  - core: 1.5V
  - analog: 2.6 - 3.0V
  - I/O: 1.7 - 3.0V
- power requirements:**
  - active: 150 mA (325 mW)
  - standby: 300  $\mu\text{A}$
  - XSHUTDOWN: 2  $\mu\text{A}$
- temperature range:**
  - operating: -30°C to +70°C junction temperature
  - stable image: 0°C to +50°C junction temperature
- output interfaces:** 4-lane MIPI/LVDS serial
- output formats:** RAW RGB data
- lens size:** 1/3.2"
- lens chief ray angle:** 11° non-linear
- input clock frequency:** 6 - 27 MHz
- max S/N ratio:** 37 dB
- dynamic range:** 73.7 dB @ 8x gain
- maximum image transfer rate:**
  - SMP (2592x1944): 30 fps
  - EIS 1080p (2112x1188): 30 fps
  - 1080p (1920x1080): 30 fps
  - EIS 720p (1536x864): 30 fps
  - 720p (1280x720): 60 fps
  - VGA (640x480): 90 fps
- sensitivity:** 1200 mV/lux-sec
- scan mode:** progressive
- pixel size:** 1.75  $\mu\text{m}$  x 1.75  $\mu\text{m}$
- dark current:** 1.3 mV/sec @ 50°C junction temperature
- image area:** 4592  $\mu\text{m}$  x 3423  $\mu\text{m}$
- package/die dimensions:**
  - CSP3: 6360  $\mu\text{m}$  x 5670  $\mu\text{m}$
  - COB: 6350  $\mu\text{m}$  x 5660  $\mu\text{m}$

## Functional Block Diagram



4275 Burton Drive  
Santa Clara, CA 95054  
USA

Tel: +1 408 567 3000  
Fax: +1 408 567 3001  
www.ovt.com

OmniVision reserves the right to make changes to their products or to discontinue any product or service without further notice. OmniVision and the OmniVision logo are registered trademarks of OmniVision Technologies, Inc. OmniBSI is a trademark of OmniVision Technologies, Inc. All other trademarks are the property of their respective owners.



OmniVision