



Chipsmall Limited consists of a professional team with an average of over 10 year of expertise in the distribution of electronic components. Based in Hongkong, we have already established firm and mutual-benefit business relationships with customers from,Europe,America and south Asia,supplying obsolete and hard-to-find components to meet their specific needs.

With the principle of “Quality Parts,Customers Priority,Honest Operation,and Considerate Service”,our business mainly focus on the distribution of electronic components. Line cards we deal with include Microchip,ALPS,ROHM,Xilinx,Pulse,ON,Everlight and Freescale. Main products comprise IC,Modules,Potentiometer,IC Socket,Relay,Connector.Our parts cover such applications as commercial,industrial, and automotives areas.

We are looking forward to setting up business relationship with you and hope to provide you with the best service and solution. Let us make a better world for our industry!



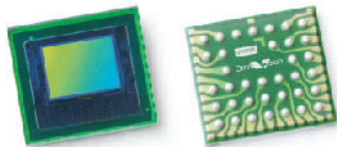
## Contact us

Tel: +86-755-8981 8866 Fax: +86-755-8427 6832

Email & Skype: info@chipsmall.com Web: www.chipsmall.com

Address: A1208, Overseas Decoration Building, #122 Zhenhua RD., Futian, Shenzhen, China





# OV7735 VGA product brief



## High-Speed VGA Image Sensor for Video, Gaming and Portable Entertainment



available in  
a lead-free  
package

The OV7735 is an advanced VGA image sensor that can capture video at 60 frames per second (fps) enabling smoother motion video and achieve improved accuracy for motion detection applications. Implementing OmniVision's proven 3.0  $\mu\text{m}$  OmniPixel3-HS™ high sensitivity pixel architecture ensures high quality video recording even in the most challenging lighting conditions, achieving low-light performance of 3300 mV/lux-sec. The image sensor's design enables some of the thinnest (<3 mm) VGA camera solutions capable of high-speed recording, making the OV7735 ideal for portable applications including digital video cameras, portable media players (PMPs), gaming devices and webcams.

The OV7735 offers complete user control over image quality, resolution and output data format. The OV7735 provides full frame, sub-sampled, windowed or scaled

8-bit/ 10-bit images in RAW RGB and YUV formats over a parallel DVP or serial MIPI port, offering a versatile platform for use in single and multi-camera applications.

All required image processing functions, including exposure control, white balance, and defective pixel detection and correction are programmable through the serial camera control bus (SCCB) interface. The OV7735 also addresses image contamination issues such as fixed pattern noise, smearing and blooming, producing a clear, crisp color image. Designed largely for portable or wireless applications, the new sensor offers low power consumption, requiring just 100 mW under normal operating conditions.

Find out more at [www.ovt.com](http://www.ovt.com).

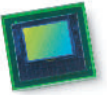
## Applications

- Gaming
- Portable Media Players
- DVR
- Webcams

## Product Features

- ultra high performance
- standard serial SCCB interface
- automatic image control functions:
  - automatic exposure control (AEC)
  - automatic gain control (AGC)
  - automatic white balance (AWB)
  - automatic band filter (ABF)
  - automatic 50/60 Hz luminance detection
  - automatic black level calibration (ABLC)
- digital video port (DVP) parallel output interface
- MIPI serial output interface
- embedded one-time programmable (OTP) memory for part identification, etc.
- on-chip phase lock loop (PLL)
- programmable I/O drive capability
- built-in 1.5V regulator for core
- programmable controls for frame rate, mirror and flip, scaling, cropping, and windowing
- image quality controls: color saturation, hue, gamma, sharpness (edge enhancement), lens correction, defective pixel canceling, and noise canceling
- support for output formats: 8/10-bit RAW RGB, CCR656 and YUV422
- support for horizontal and vertical sub-sampling
- support for images sizes: VGA and any arbitrary size scaling down from VGA
- support for binning
- support for external frame synchronization

# OV7735



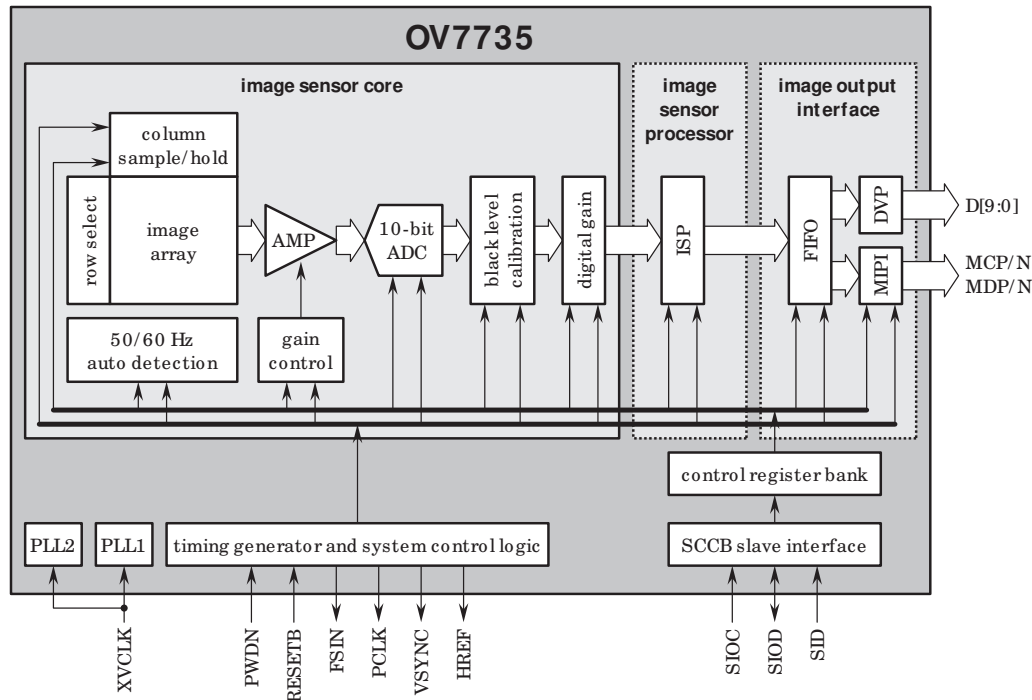
## Ordering Information

- OV07735-A42A (color, lead-free, 42-pin CSP3)
- OV07735-G04A (color, chip probing, 200  $\mu\text{m}$  backgrinding, reconstructed wafer)

## Product Specifications

- active array size: 640 x 480
- maximum image transfer rate:
  - VGA: 60 fps
  - QVGA: 120 fps
  - QQVGA: 120 fps
- power supply:
  - core: 1.5 VDC  $\pm 5\%$  (internal regulator)
  - analog: 2.6 ~ 3.0 V
  - I/O: 1.7 ~ 3.0 V
- power requirements:
  - active: 100 mW
  - standby: 76  $\mu\text{W}$
- temperature range:
  - operating: -30°C to 70°C
  - stable image: 0°C to 50°C
- output formats: 8/10-bit RAW RGB, 8-bit YUV
- lens size: 1/7.5"
- lens chief ray angle: 26.5°
- input clock frequency: 6 ~ 27 MHz
- S/N ratio: 38 dB
- dynamic range: 68 dB
- sensitivity: 3300 mV/lux-sec
- scan mode: progressive
- maximum exposure interval: 508 x  $t_{\text{ROW}}$
- pixel size: 3  $\mu\text{m}$  x 3  $\mu\text{m}$
- well capacity: 11  $\text{Ke}^-$
- dark current: 10 mV/s at 60°C
- fixed pattern noise: 1% of  $V_{\text{PEAK-TO-PEAK}}$
- image area: 1968  $\mu\text{m}$  x 1488  $\mu\text{m}$
- package dimensions:
  - CSP3: 3985  $\mu\text{m}$  x 3635  $\mu\text{m}$
  - COB: 4000  $\mu\text{m}$  x 3650  $\mu\text{m}$

## Functional Block Diagram



4275 Burton Drive  
Santa Clara, CA 95054  
USA

Tel: +1 408 567 3000  
Fax: +1 408 567 3001  
www.ovt.com

OmniVision reserves the right to make changes to their products or to discontinue any product or service without further notice. OmniVision, the OmniVision logo and OmniPixel are registered trademarks of OmniVision Technologies, Inc. OmniPixel3-HS are trademarks of OmniVision Technologies, Inc. All other trademarks are the property of their respective owners.

OmniVision