



Chipsmall Limited consists of a professional team with an average of over 10 year of expertise in the distribution of electronic components. Based in Hongkong, we have already established firm and mutual-benefit business relationships with customers from,Europe,America and south Asia,supplying obsolete and hard-to-find components to meet their specific needs.

With the principle of “Quality Parts,Customers Priority,Honest Operation,and Considerate Service”,our business mainly focus on the distribution of electronic components. Line cards we deal with include Microchip,ALPS,ROHM,Xilinx,Pulse,ON,Everlight and Freescale. Main products comprise IC,Modules,Potentiometer,IC Socket,Relay,Connector.Our parts cover such applications as commercial,industrial, and automotives areas.

We are looking forward to setting up business relationship with you and hope to provide you with the best service and solution. Let us make a better world for our industry!



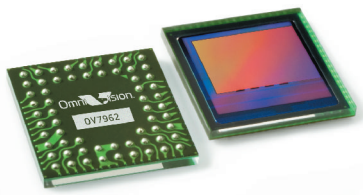
## Contact us

Tel: +86-755-8981 8866 Fax: +86-755-8427 6832

Email & Skype: info@chipsmall.com Web: www.chipsmall.com

Address: A1208, Overseas Decoration Building, #122 Zhenhua RD., Futian, Shenzhen, China





# OV7962 VGA product brief



## Superior Image Quality for Professional Grade IP Cameras



available in  
a lead-free  
package

Optimized for digital IP cameras, the OV7962 system on chip (SoC) with advanced image signal processing capabilities delivers vivid image capture even in the most challenging lighting conditions, making it an ideal solution for both indoor and outdoor security applications.

The low-voltage, high-performance OV7962 provides the full functionality of a single-chip digital VGA sensor. Based on OmniVision's 6.0  $\mu\text{m}$  OmniPixel3-HS™ architecture, the OV7962 features the industry's best-in-class low light sensitivity of  $>12 \text{ V}/(\text{lux}\cdot\text{sec})$ . The OV7962 has an active array of 752 x 480 to support VGA resolution.

The OV7962 incorporates advanced image processing functions, including exposure control, gain control, white balance, lens correction and defective pixel correction to

provide full-frame images. The functions are programmable through the serial camera control bus (SCCB) interface. For storage purposes, the OV7962 includes 16 bytes of one-time programmable (OTP) memory.

The OV7962 features automatic exposure/gain with 16 zone control, horizontal and vertical windowing capability, aperture/gamma correction, external frame sync capability and extremely low dark current for high temperature applications. The OV7962 comes in a CSP4 package and is capable of operating within a temperature range of  $-20^{\circ}\text{C}$  to  $70^{\circ}\text{C}$ .

Find out more at [www.ovt.com](http://www.ovt.com).

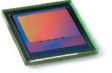
## Applications

- Security and Surveillance Cameras

## Product Features

- VGA output
- high sensitivity  $>12 \text{ V}/(\text{lux}\cdot\text{sec})$
- automatic exposure/gain with 16 zone control
- horizontal and vertical windowing capability
- auto white balance control
- aperture/gamma correction
- external frame sync capability (Genlock)
- slave compatible serial camera control bus (SCCB) control interface for register programming
- low power consumption
- extremely low dark current for high temperature applications
- 50/60 Hz flicker cancellation
- overlay with four layers, 16 colors and eight transparencies each
- 16 bytes of one-time programmable memory (OTP) to control overlay and set other customer variables
- SPI master for single static overlay and loading setting
- dynamic overlay controls
- defective pixel correction

# OV7962



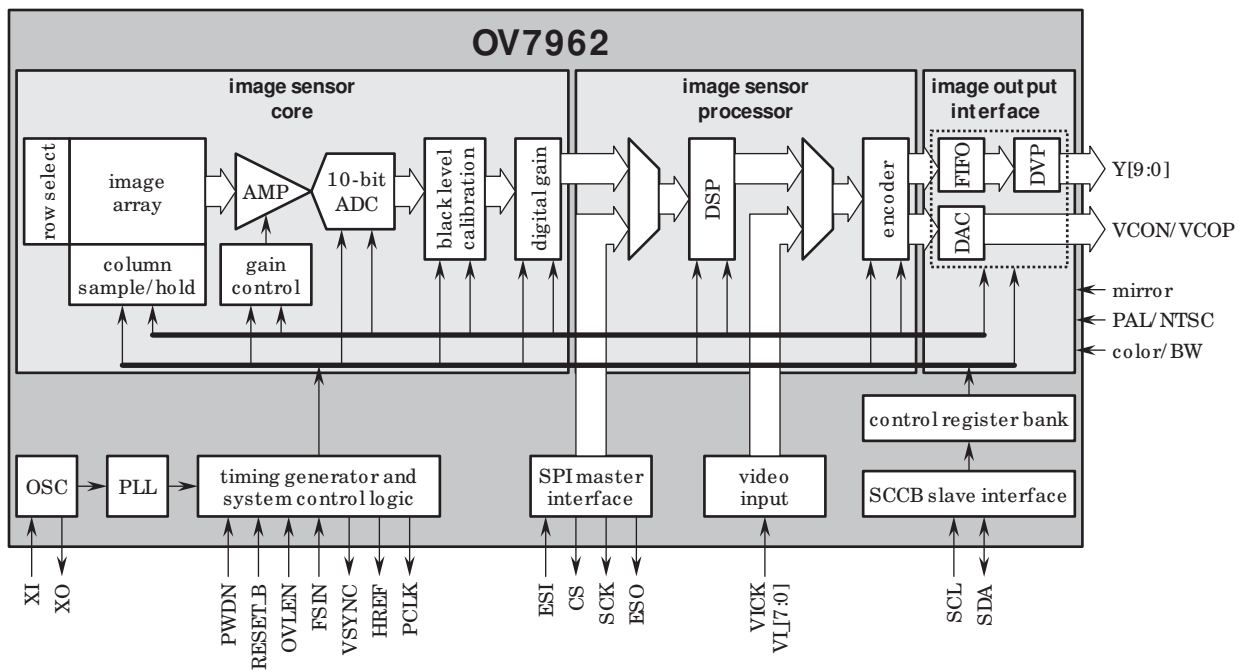
## Ordering Information

- OV07962-E62A (color, lead-free, 62-pin CSP4)
- OV07461-E62A (B&W, lead-free, 62-pin CSP4)

## Product Specifications

- active array size: 752 x 480
- power supply:
  - core:  $1.5 \text{ V} \pm 5\%$
  - analog:  $3.3 \text{ V} \pm 5\%$
  - I/O:  $1.7 \sim 3.47 \text{ V}$
- power requirements:
  - active: TBD
- temperature range:
  - operating:  $-20^\circ\text{C}$  to  $70^\circ\text{C}$
  - stable image:  $0^\circ\text{C}$  to  $50^\circ\text{C}$
- optical size:
  - 752x480:  $1/3.2''$
  - 640x480:  $1/4''$
- lens chief ray angle:  $0^\circ$
- output formats: RAW RGB, RGB565, RGB666, YUV422, CCIR656
- maximum image transfer rate:
  - 752x480: 30 fps
  - 640x480: 30 fps
  - 320x240: 60 fps
- sensitivity:  $>12 \text{ V}/(\text{lux}\cdot\text{sec})$
- pixel size:  $6.0 \mu\text{m} \times 6.0 \mu\text{m}$  OmniPixel3-HS
- image area:  $4752 \mu\text{m} \times 3552 \mu\text{m}$
- package dimensions:  $6680 \mu\text{m} \times 7130 \mu\text{m}$

## Functional Block Diagram



4275 Burton Drive  
Santa Clara, CA 95054  
USA

Tel: +1 408 567 3000  
Fax: +1 408 567 3001  
www.ovt.com

OmniVision reserves the right to make changes to their products or to discontinue any product or service without further notice. OmniVision and OmniPixel are registered trademarks of OmniVision Technologies, Inc. The OmniVision logo and OmniPixel3-HS are trademarks of OmniVision Technologies, Inc. All other trademarks are the property of their respective owners.

OmniVision