



Chipsmall Limited consists of a professional team with an average of over 10 year of expertise in the distribution of electronic components. Based in Hongkong, we have already established firm and mutual-benefit business relationships with customers from,Europe,America and south Asia,supplying obsolete and hard-to-find components to meet their specific needs.

With the principle of “Quality Parts,Customers Priority,Honest Operation,and Considerate Service”,our business mainly focus on the distribution of electronic components. Line cards we deal with include Microchip,ALPS,ROHM,Xilinx,Pulse,ON,Everlight and Freescale. Main products comprise IC,Modules,Potentiometer,IC Socket,Relay,Connector.Our parts cover such applications as commercial,industrial, and automotives areas.

We are looking forward to setting up business relationship with you and hope to provide you with the best service and solution. Let us make a better world for our industry!



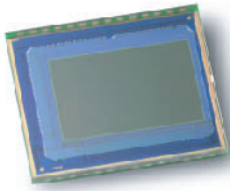
## Contact us

Tel: +86-755-8981 8866 Fax: +86-755-8427 6832

Email & Skype: info@chipsmall.com Web: www.chipsmall.com

Address: A1208, Overseas Decoration Building, #122 Zhenhua RD., Futian, Shenzhen, China





# OV9712 720p HD video image sensor product brief



## The OV9712 Offers Best-in-Class 720p HD Video Performance at 30 Frames Per Second (fps)



available in  
a lead-free  
package

Enabled by OmniVision's proprietary OmniPixel3-HS™ high sensitivity pixel technology with  $3 \times 3 \mu\text{m}$  pixel and low-light sensitivity of  $3.3 \text{ V}/(\text{lux}\cdot\text{sec})$ , the OV9712 provides vivid imaging in virtually every lighting condition from bright daylight to nearly complete darkness. As a result, it is ideally suited for use in all camera phone and PC multimedia cameras.

The 1/4-inch OV9712 sensor provides full-frame, sub-sampled or windowed 8-bit/10-bit images in raw RGB format via the digital video port and with complete user control over image quality, formatting and output data transfer. The OV9712 offers a chief ray angle (CRA) of  $25^\circ$ .

The OV9712 incorporates advanced image processing functions, including exposure control, gain control, white balance, lens correction and defective pixel correction, programmable through the serial camera control bus (SCCB) interface. For storage purposes, it includes one-time programmable (OTP) memory.

The OV9712 is available in a CSP2 package and is capable of operating within a temperature range of  $-30^\circ\text{C}$  to  $+70^\circ\text{C}$ .

Find out more at [www.ovt.com](http://www.ovt.com).

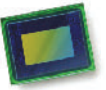
## Applications

- Notebooks
- Telepresence
- Mobile Phones
- Digital Still Cameras
- Webcams
- Medical
- Entertainment

## Product Features

- high sensitivity for low-light operation
- ultra low power and low cost
- automatic image control functions:
  - automatic exposure control (AEC)
  - automatic gain control (AGC)
  - automatic white balance (AWB)
  - automatic band filter (ABF)
  - automatic black level calibration (ABLCL)
- programmable controls:
  - frame rate
  - AEC/AGC 16-zone size/position/weight control
  - mirror and flip
  - cropping and windowing
- image quality controls:
  - lens correction
  - defective pixel canceling
- output support for raw RGB supports image sizes:
  - WXGA (1280x800)
  - HD 720p (1280x720)
  - VGA (640x480)
- support for horizontal and vertical sub-sampling
- support for black sun cancellation
- support for internal and external frame cancellation
- standard serial camera control bus (SCCB) interface
- digital video port (DVP) parallel output interface
- embedded one-time programmable (OTP) memory
- on-chip phase lock loop (PLL)
- built-in 1.5V regulator for core

# OV9712



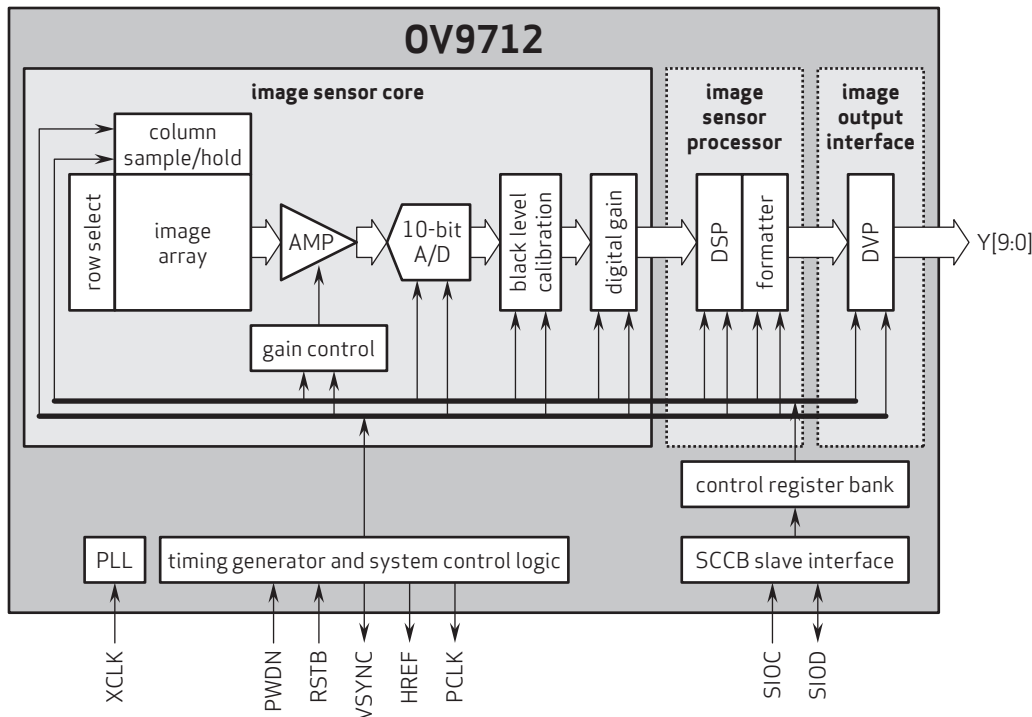
## Ordering Information

- **OV09712-V28A**  
(color, lead-free, 28-pin CSP2)
- **OV09712-G04A**  
(color, chip probing, 200  $\mu\text{m}$  backgrounding, reconstructed wafer)

## Product Specifications

- **active array size:** 1280 x 800
- **power supply:**
  - core: 1.5 VDC  $\pm 5\%$
  - analog: 3.0 - 3.6 V
  - I/O: 1.7 - 3.6 V
- **power requirements:**
  - active: 110 mW
  - standby: 50  $\mu\text{A}$
- **temperature range:**
  - operating: -30°C to 70°C
  - stable image: 0°C to 50°C
- **output formats:** 10-bit RAW RGB data
- **lens size:** 1/4"
- **lens chief ray angle:** 25° non-linear
- **input clock frequency:** 6 - 27 MHz
- **dynamic range:** 69 dB
- **maximum image transfer rate:**
  - WXGA (1280x800): 30 fps
  - HD 720p (1280x720): 30 fps
  - VGA (640x480): 60 fps
- **sensitivity:** 3300 mV/(lux-sec)
- **S/N ratio:** 39 dB
- **maximum exposure interval:** 826 x  $t_{\text{ROW}}$
- **pixel size:** 3  $\mu\text{m}$  x 3  $\mu\text{m}$
- **well capacity:** 13 Ke<sup>-</sup>
- **dark current:** 20 mV/s @ 60°C
- **image area:** 3888  $\mu\text{m}$  x 2430  $\mu\text{m}$
- **package/die dimensions:**
  - CSP2: 5415  $\mu\text{m}$  x 4415  $\mu\text{m}$
  - COB: 5430  $\mu\text{m}$  x 4430  $\mu\text{m}$

## Functional Block Diagram



4275 Burton Drive  
Santa Clara, CA 95054  
USA

Tel: + 1 408 567 3000  
Fax: + 1 408 567 3001  
www.ovt.com

OmniVision reserves the right to make changes to their products or to discontinue any product or service without further notice. OmniVision and OmniPixel are registered trademarks of OmniVision Technologies, Inc. The OmniVision logo and OmniPixel3-HS are trademarks of OmniVision Technologies, Inc. All other trademarks are the property of their respective owners.

