



Chipsmall Limited consists of a professional team with an average of over 10 year of expertise in the distribution of electronic components. Based in Hongkong, we have already established firm and mutual-benefit business relationships with customers from,Europe,America and south Asia,supplying obsolete and hard-to-find components to meet their specific needs.

With the principle of “Quality Parts,Customers Priority,Honest Operation,and Considerate Service”,our business mainly focus on the distribution of electronic components. Line cards we deal with include Microchip,ALPS,ROHM,Xilinx,Pulse,ON,Everlight and Freescale. Main products comprise IC,Modules,Potentiometer,IC Socket,Relay,Connector.Our parts cover such applications as commercial,industrial, and automotives areas.

We are looking forward to setting up business relationship with you and hope to provide you with the best service and solution. Let us make a better world for our industry!



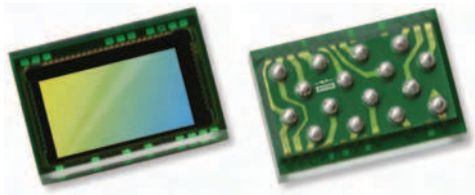
Contact us

Tel: +86-755-8981 8866 Fax: +86-755-8427 6832

Email & Skype: info@chipsmall.com Web: www.chipsmall.com

Address: A1208, Overseas Decoration Building, #122 Zhenhua RD., Futian, Shenzhen, China





OV9734-OV9234 720p HD product brief



OmniVision's Smallest 720p High Definition Sensor for Next-Generation Notebooks and Mobile Devices



available in
a lead-free
package

The OV9734 is an ultra-compact and power efficient CameraChip™ image sensor designed for slim notebooks, tablets, handsets, and other devices that require a thin bezel. Built on OmniVision's PureCel® technology, the OV9734 CameraChip™ delivers premium quality images and video, while consuming significantly less power than previous generation image sensors.

OmniVision's 1/9-inch OV9734 is capable of capturing crisp 720p HD video at 30 frames per second (fps) or VGA video at 45 fps, while consuming approximately 25 percent less power than the previous generation 720p sensor. Additionally, the OV9734 meets the video quality specifications for popular video conferencing platforms.

To fit ultra-thin bezel devices, the OV9734 comes in a compact package that can meet 2.5 mm z-height and is 47 percent smaller in y-dimension compared to the previous generation 720p sensor.

The OV9234, a black and white version of the OV9734, is also available as a dedicated IR camera solution for facial recognition and other biometric applications. Both sensors are available in CSP and COB packaging.

Find out more at www.ovt.com.



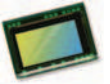
Applications

- Smartphones
- PC Multimedia
- Tablets
- Digital Still Cameras
- Toys

Product Features

- support for image sizes:
 - full size (1280x720)
 - VGA (640x480)
 - 2x2 RGB binning (640x360)
 - 2x2 B&W binning (640x360)
- support for output formats:
 - RAW output with 1-lane MIPI
- on-chip phase lock loop (PLL)
- capable of maintaining register values at software power down
- programmable controls for:
 - frame rate
 - mirror and flip
 - gain/exposure
 - windowing
- support for horizontal and vertical sub-sampling
- automatic black level calibration (ABLC)
- defect pixel correction (DPC)
- support for black sun cancellation
- standard SCCB interface
- GPIO tri-state configurability and programmable polarity

OV9734-OV9234



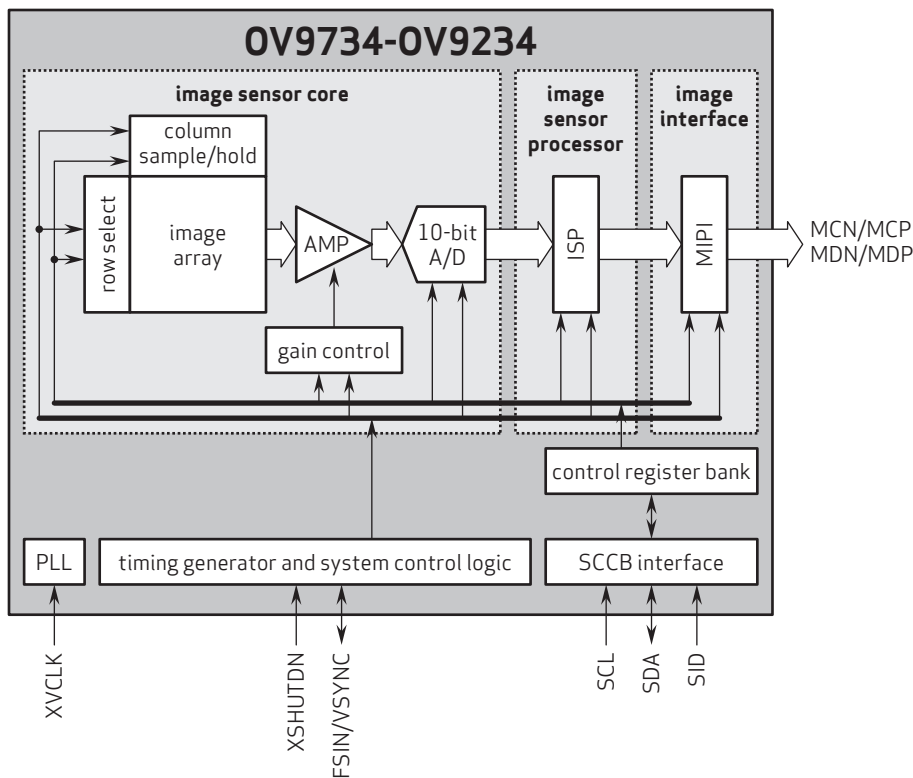
Ordering Information

- OV9734-H16A-2A (color, lead-free, 16-pin CSP)
- OV9234-H16A (b&w, lead-free, 16-pin CSP)

Product Specifications

- active array size: 1280 x 720
- scan mode: progressive
- power supply:
 - core: 1.2VDC $\pm 5\%$
 - analog: 2.6 - 3.0V (2.8V normal)
 - I/O: 1.8V
- power requirements:
 - active: 69 mW
 - XSHUTDOWN: 0.9 μ W
- temperature range:
 - operating: -30°C to +85°C junction temperature
 - stable image: 0°C to +50°C junction temperature
- output formats: 10-bit RAW RGB
- lens size: 1/9"
- lens chief ray angle: 32.1°
- input clock frequency: 6 - 27 MHz
- maximum image transfer rate: 30 fps
- sensitivity: 585 mV/Lux-sec
- shutter: rolling shutter
- max S/N ratio: 36.4 dB
- dynamic range: 68.4 dB @ 16x gain
- maximum exposure interval: 798 x t_{row}
- pixel size: 1.4 μ m x 1.4 μ m
- dark current: 2 e^- /sec @ 50°C junction temperature
- image area: 1819.58 μ m x 1033.34 μ m
- package dimensions: 2532 μ m x 1722 μ m

Functional Block Diagram



4275 Burton Drive
Santa Clara, CA 95054
USA

Tel: +1 408 567 3000
Fax: +1 408 567 3001
www.ovt.com

OmniVision reserves the right to make changes to their products or to discontinue any product or service without further notice. OmniVision, the OmniVision logo, and PureCel are registered trademarks of OmniVision Technologies, Inc. CameraChip is a trademark of OmniVision Technologies, Inc. All other trademarks are the property of their respective owners.



OmniVision