



Chipsmall Limited consists of a professional team with an average of over 10 year of expertise in the distribution of electronic components. Based in Hongkong, we have already established firm and mutual-benefit business relationships with customers from,Europe,America and south Asia,supplying obsolete and hard-to-find components to meet their specific needs.

With the principle of "Quality Parts,Customers Priority,Honest Operation,and Considerate Service",our business mainly focus on the distribution of electronic components. Line cards we deal with include Microchip,ALPS,ROHM,Xilinx,Pulse,ON,Everlight and Freescale. Main products comprise IC,Modules,Potentiometer,IC Socket,Relay,Connector.Our parts cover such applications as commercial,industrial, and automotives areas.

We are looking forward to setting up business relationship with you and hope to provide you with the best service and solution. Let us make a better world for our industry!



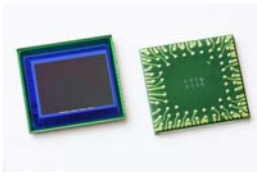
Contact us

Tel: +86-755-8981 8866 Fax: +86-755-8427 6832

Email & Skype: info@chipsmall.com Web: www.chipsmall.com

Address: A1208, Overseas Decoration Building, #122 Zhenhua RD., Futian, Shenzhen, China





OV9810 9 Megapixel 1080p HD Video Image Sensor

Product Brief



Capture Stunning 9 Megapixel Still Images and 1080p HD Video All on a Single Chip

The OV9810 color image sensor eliminates the trade-offs between high performance still photography and high quality HD video by combining 9 megapixel photography with 1080p HD video on a single chip. With a packaged footprint of only 8.195 mm x 7.535 mm, the OV9810 is the ideal solution for digital still camera (DSC), digital video camcorder (DVC) and digicam applications.

Featuring OmniVision's high-sensitivity 1.75 μm OmniPixel3-HS™ architecture, the OV9810 delivers best-in-class low-light sensitivity at 960 mV/(lux-sec), giving it a significant edge over competing sensors. The OmniPixel3-HS architecture is OmniVision's most advanced generation of front side illumination pixel architectures to date, providing enhanced image capture under very low lighting conditions.

In addition to its small footprint and extraordinary performance, the OV9810 is capable of providing various

output formats over a digital video parallel (DVP) or serial MIPI port, controlled by the SCCB interface. The MIPI and DVP interfaces can also be used for a second camera. All required image processing functions, including exposure control, white balance, and defective pixel canceling, are programmable through the SCCB interface. The OV9810 eliminates image contamination issues such as fixed pattern noise, smearing and blooming to produce a clean, stable and vivid color image.

The OV9810 is capable of operating at 8.9 frames per second (fps) in full 9 megapixel resolution and offers full HD quality (1080p) video at 30 fps. No other 9 megapixel image sensor on the market combines the performance-rich features of digital still and 1080p video better than the OV9810.

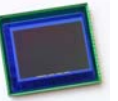
Find out more at www.ovt.com.



Applications

- Digital Still Cameras (DSC)
- Digital Video Camcorders (DVC)
- Digicam

OV9810



Ordering Information

- **OV9810-A70A**
(color, lead-free 70-pin CSP3)

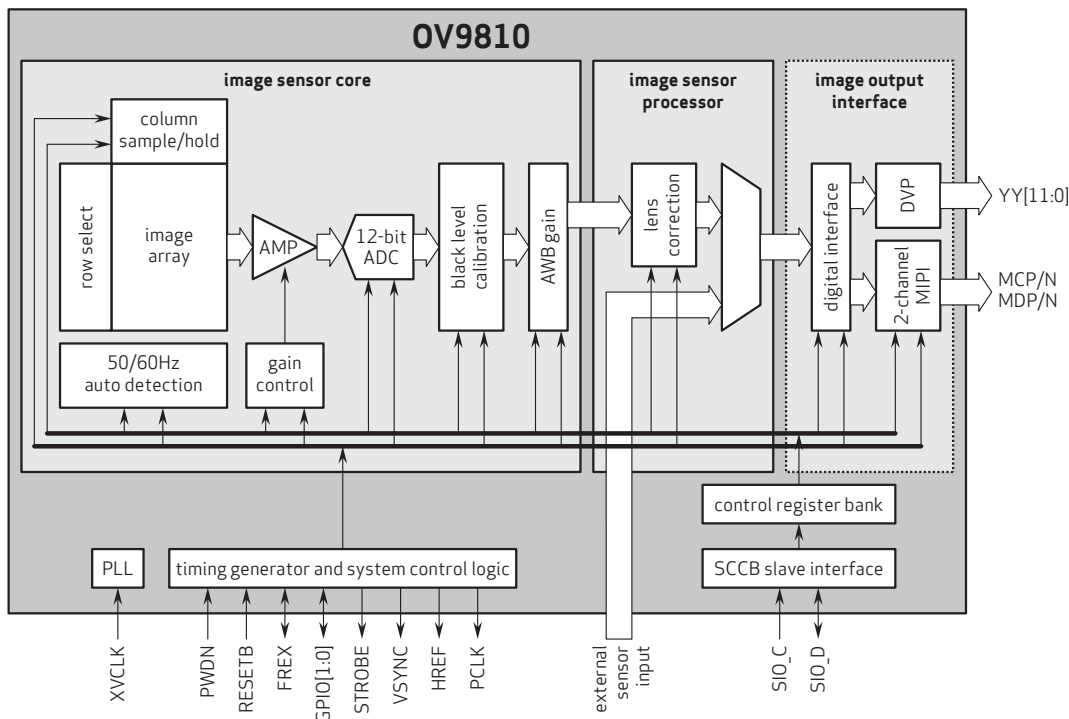
Product Features

- high quality 9 megapixel resolution
- full HD 1080p video capability
- small footprint
8.195 mm x 7.535 mm CSP3 package
- automatic image control functions:
automatic exposure control (AEC),
automatic white balance (AWB),
automatic band filter (ABF),
automatic 50/60 Hz luminance
detection, and automatic black level
calibration (ABLC)
- programmable controls for frame
rate, exposure time, gain, mirror and
flip, cropping, windowing, and
panning
- image quality controls: lens
correction, defective pixel canceling
- support for output formats: RAW8,
RAW10, RAW12, generic 8-bit long
packet data types, user defined
byte-based data
- support for frame exposure mode
- support for horizontal and vertical
sub-sampling and VarioPixel™
- support for LED and flash strobe
mode
- standard serial camera control bus
(SCCB) interface
- digital video port (DVP) parallel
output and MIPI interfaces
- embedded one-time programmable
(OTP) memory for part
identification, etc.
- on-chip phase lock loop (PLL)
- programmable I/O drive capability
- built-in 1.5V regulator for core

Product Specifications

- **active array size:** 3488 x 2616
- **power supply:**
- core: 1.5 VDC ± 5%
- analog: 2.8 V ± 5%
- I/O: 1.7 - 3.1 V
- **temperature range:**
- operating: -30°C to 70°C
- optimal: 0°C to 50°C
- **output formats:**
- RAW8, RAW10, RAW12, generic
8-bit long packet data types, user
defined byte-based data
- **lens size:** 1/2.3"
- **lens chief ray angle:** up to 11°
- **input clock frequency:** 6 - 27 MHz
- **frame rate:**
9 megapixel (3488 x 2616): 8.9 fps
8 megapixel (3264 x 2448): 10 fps
5 megapixel (2592 x 1944): 15 fps
1080p (1920 x 1080): 30 fps
720p (1280 x 720): 60 fps
1744 x 982: 30 fps
VGA (640 x 480): 60 fps
QVGA (320 x 240): 120 fps
- **sensitivity:** 960 mV/(lux-sec)
- **scan mode:** progressive
- **pixel size:** 1.75 µm x 1.75 µm
- **image area:** 6160 µm x 4606 µm
- **package dimensions:**
8195 µm x 7535 µm

Functional Block Diagram



4275 Burton Drive
Santa Clara, CA 95054

tel: +1 408 567 3000
fax: +1 408 567 3001
www.ovt.com

OmniVision reserves the right to make changes to their products or to discontinue any product or service without further notice. OmniVision is a registered trademark of OmniVision Technologies, Inc. The OmniVision logo and OmniPixel3-HS, VarioPixel are trademarks of OmniVision Technologies, Inc. All other trademarks are the property of their respective owners.

