



Chipsmall Limited consists of a professional team with an average of over 10 year of expertise in the distribution of electronic components. Based in Hongkong, we have already established firm and mutual-benefit business relationships with customers from,Europe,America and south Asia,supplying obsolete and hard-to-find components to meet their specific needs.

With the principle of “Quality Parts,Customers Priority,Honest Operation,and Considerate Service”,our business mainly focus on the distribution of electronic components. Line cards we deal with include Microchip,ALPS,ROHM,Xilinx,Pulse,ON,Everlight and Freescale. Main products comprise IC,Modules,Potentiometer,IC Socket,Relay,Connector.Our parts cover such applications as commercial,industrial, and automotives areas.

We are looking forward to setting up business relationship with you and hope to provide you with the best service and solution. Let us make a better world for our industry!



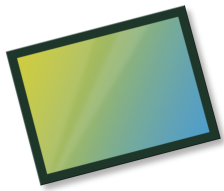
Contact us

Tel: +86-755-8981 8866 Fax: +86-755-8427 6832

Email & Skype: info@chipsmall.com Web: www.chipsmall.com

Address: A1208, Overseas Decoration Building, #122 Zhenhua RD., Futian, Shenzhen, China





OV13870 13MP product brief



13-Megapixel PureCel®Plus-S Sensor for High-End Mobile Applications



available in
a lead-free
package

OmniVision's OV13870 is the industry's first 13-megapixel "big pixel" sensor capable of recording full-resolution 1080p high definition (HD) video at 240 frames per second (fps). The OV13870 also features a 12-bit analog to digital converter (ADC) to enable better low light signal to noise ratio (SNR), phase detection auto focus (PDAF), and dedicated support for dual-camera functionality.

Built on OmniVision's new PureCel Plus-S pixel architecture, the OV13870 delivers best-in-class pixel performance with significant improvements in low-light

performance and crosstalk reduction with minimal chip size. Even with a 1/2.74-inch optical format, the OV13870 has an extremely compact module with a z-height of about 5.5 mm.

The OV13870 can capture full-resolution 13-megapixel still images at 45 fps or record ultra-high resolution 4K2K video at 60 fps, 1080p full HD at 240 fps.

Find out more at www.ovt.com.



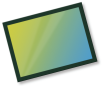
Applications

- Smartphones
- Tablets
- PC Multimedia

Product Features

- 1.25 μm x 1.25 μm pixel
- optical size of 1/2.74"
- 33.99° CRA
- enhanced dual cam support
- high-speed architecture for fast frames per second (fps)
- programmable controls for frame rate, mirror and flip, cropping, and windowing
- supports images sizes:
 - 13MP (4224x3136)
 - 4K2K (3840x2160)
 - 1080p (1920x1080), and more
- two-wire serial bus control (SCCB)
- strobe output to control flash
- embedded 13.5 kbits of one-time programmable (OTP) memory
- support for phase detection auto focus (PDAF)
- two on-chip phase lock loops (PLLs)
- programmable controls for gain, exposure, frame rate, image size, horizontal mirror, vertical flip, cropping, and panning
- image quality controls for:
 - defect pixel correction
 - automatic black level calibration
 - lens shading correction
 - alternate row HDR
- built-in temperature sensor
- typical module size: 9.5 x 9.5 x <math><5.55\text{ mm}</math>

OV13870



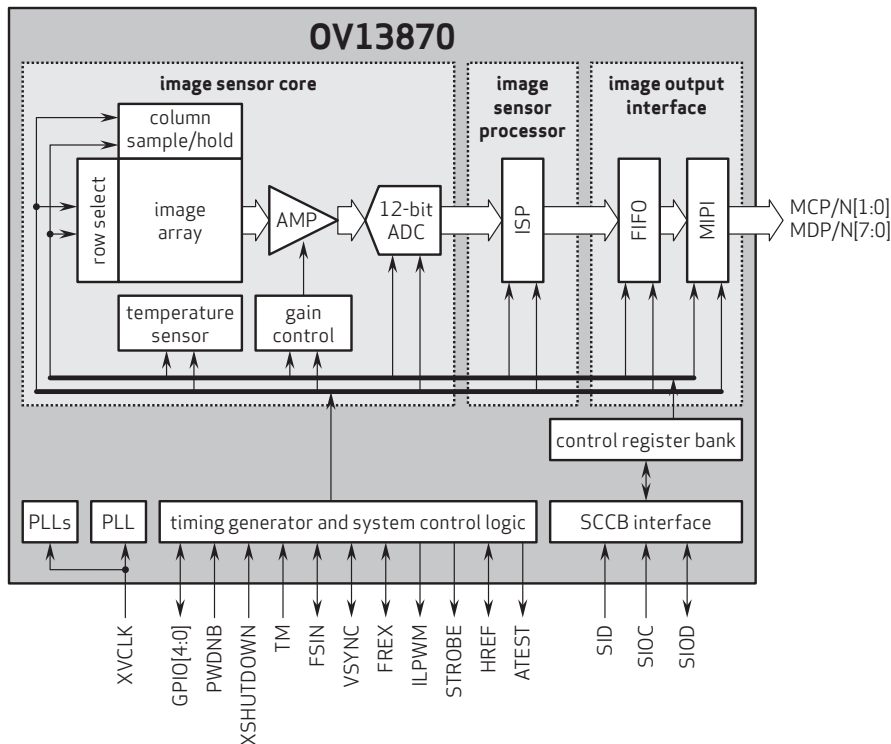
Ordering Information

- OV13870-GA5A-Z**
(color, chip probing, 150 μm backgrinding, reconstructed wafer with good die)

Product Specifications

- active array size:** 4224 x 3136
- power supply:**
 - core: 1.2V
 - analog: 2.8V
 - I/O: 1.8V
- power requirements:**
 - active: 320 mW @ full-res, 30 fps, 12-bit
 - standby: 265 mW @ full-res, 30 fps, 10-bit
 - XSHUTDOWN: <math><10\ \mu\text{W}</math>
- temperature range:**
 - operating: -30°C to +85°C junction temperature
 - stable image: 0°C to +60°C junction temperature
- output formats:** 12/10-bit RGB RAW, DPCM 12-8 compression
- lens size:** 1/2.74"
- lens chief ray angle:** 33.99° non-linear
- input clock frequency:** 6 - 27 MHz
- maximum image transfer rate:**
 - 13MP (10-bit) (4:3): 45 fps
 - 13MP (12-bit) (4:3): 30 fps
 - 4K2K (16:9): 60 fps
 - 1080p FHD (crop+bin): 240 fps
- sensitivity:** 4800 $e^-/\text{lux}\cdot\text{sec}$
- max S/N ratio:** 37.7 dB
- dynamic range:** 72.3 dB @ 8x gain
- scan mode:** progressive
- pixel size:** 1.25 μm x 1.25 μm
- dark current:** 2 e^-/sec @ 60°C junction temperature
- image area:** 5320 μm x 3960 μm
- die dimensions:**
 - COB: 6300 μm x 4900 μm
 - RW: 6350 μm x 4950 μm

Functional Block Diagram



4275 Burton Drive
Santa Clara, CA 95054
USA

Tel: +1 408 567 3000
Fax: +1 408 567 3001
www.ovt.com

OmniVision reserves the right to make changes to their products or to discontinue any product or service without further notice. OmniVision and the OmniVision logo are registered trademarks of OmniVision Technologies, Inc. PureCel and PureCel-S are trademarks of OmniVision Technologies, Inc. All other trademarks are the property of their respective owners.



OmniVision