



Chipsmall Limited consists of a professional team with an average of over 10 year of expertise in the distribution of electronic components. Based in Hongkong, we have already established firm and mutual-benefit business relationships with customers from,Europe,America and south Asia,supplying obsolete and hard-to-find components to meet their specific needs.

With the principle of “Quality Parts,Customers Priority,Honest Operation,and Considerate Service”,our business mainly focus on the distribution of electronic components. Line cards we deal with include Microchip,ALPS,ROHM,Xilinx,Pulse,ON,Everlight and Freescale. Main products comprise IC,Modules,Potentiometer,IC Socket,Relay,Connector.Our parts cover such applications as commercial,industrial, and automotives areas.

We are looking forward to setting up business relationship with you and hope to provide you with the best service and solution. Let us make a better world for our industry!



## Contact us

Tel: +86-755-8981 8866 Fax: +86-755-8427 6832

Email & Skype: info@chipsmall.com Web: www.chipsmall.com

Address: A1208, Overseas Decoration Building, #122 Zhenhua RD., Futian, Shenzhen, China



# Secondary Lens with Holder

## OVLENSxx4

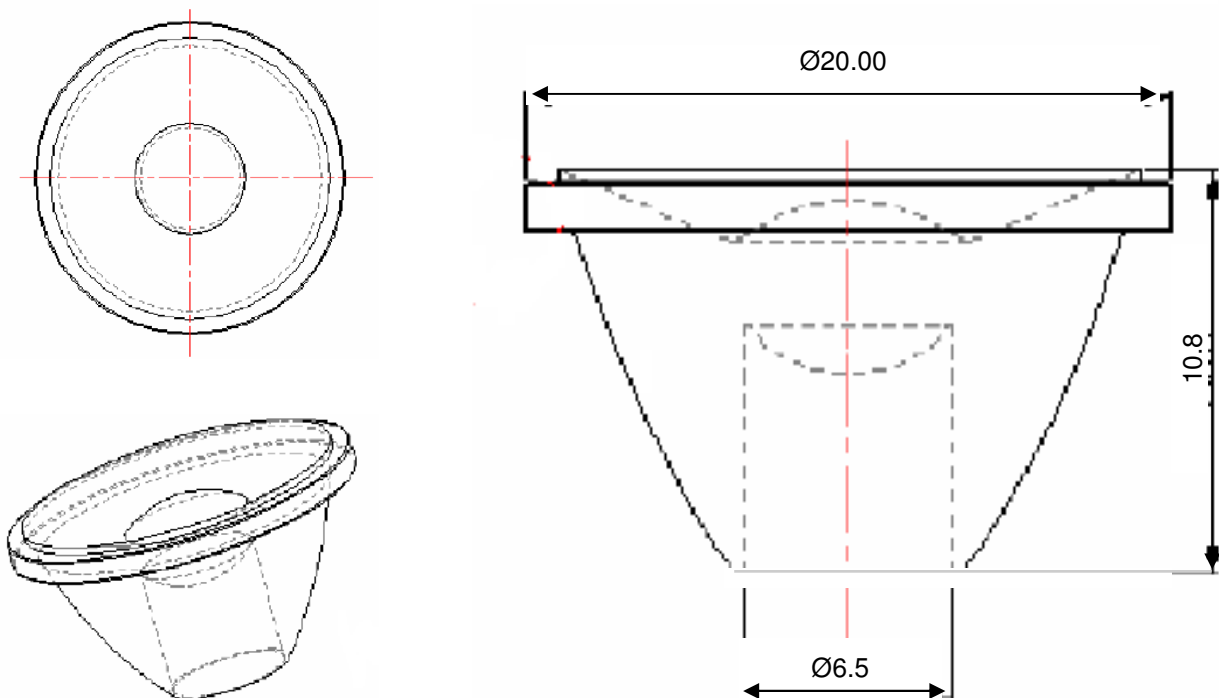
- Custom designed for Optek OVSxxxCR4 LED Series
- Efficient light extraction and high flux output
- Narrow viewing angles
- Precision molded with optical grade plastic



These water-clear polycarbonate lenses with black holders are specifically designed to mate with Optek's 6x6mm power surface mount LEDs (OVSxxxCR4 Series) to provide a more narrow beam angle. Lenses are available in both 15° and 23° viewing angles. The lenses and holders sit firmly over the LED component and is easily attached to the PCB/MCPCB with adhesive.

Part Number	Viewing Angle	Material	Lens Color	Lens Holder
OVLENS154	15°	Polycarbonate	Water Clear	Black
OVLENS234	23°			

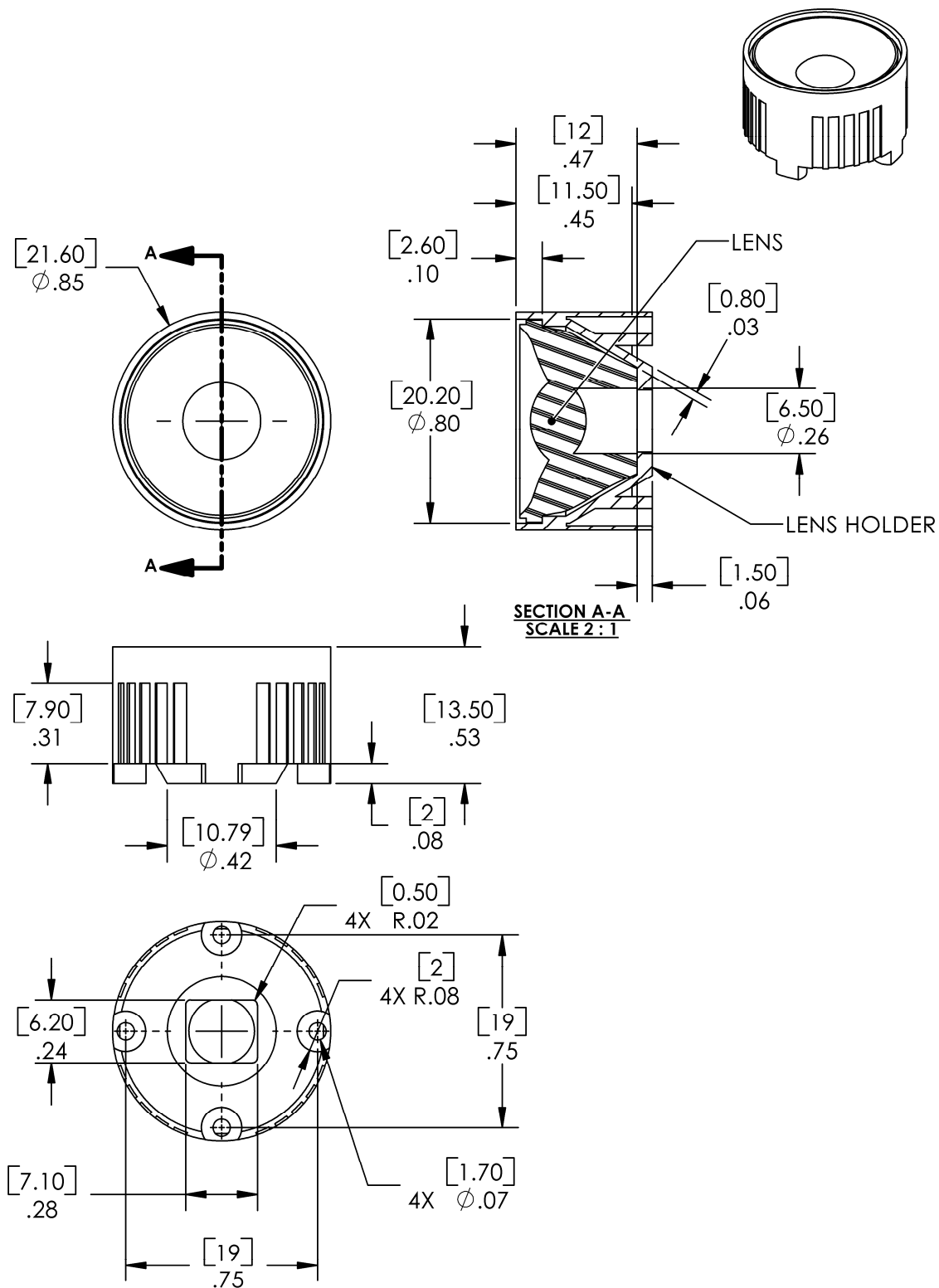
## Lens Dimensions



OPTEK reserves the right to make changes at any time in order to improve design and to supply the best product possible.

# Secondary Lens with Holder For OVSxxxCR4 LED Series

## Lens Holder Dimensions

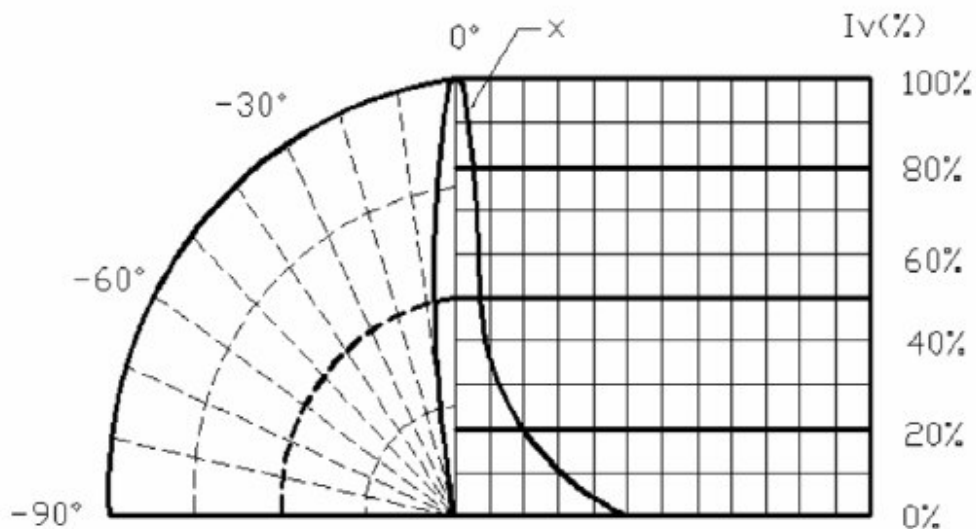


OPTeK reserves the right to make changes at any time in order to improve design and to supply the best product possible.

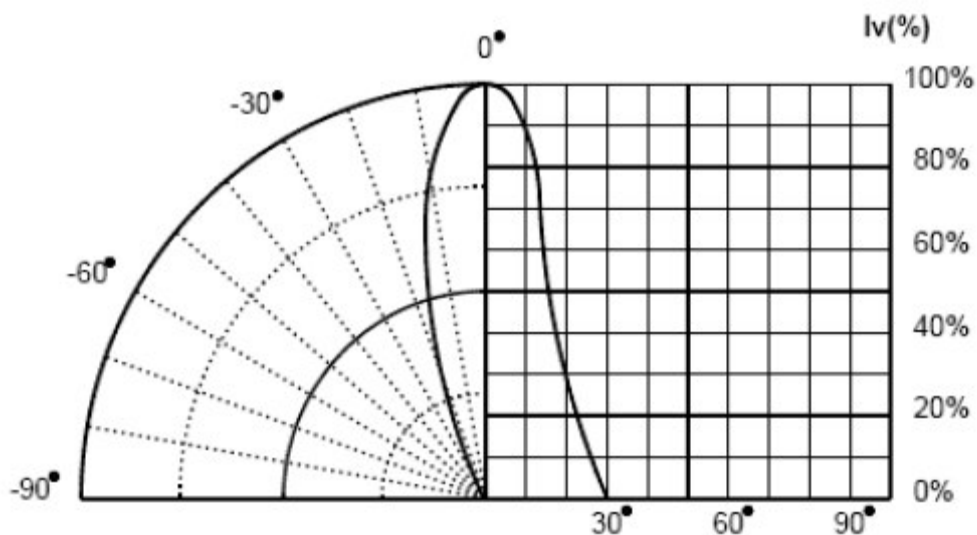


# Secondary Lens with Holder For OVSxxxCR4 LED Series

## Radiation Pattern for OVLENS154



## Radiation Pattern for OVLENS234



OPTEK reserves the right to make changes at any time in order to improve design and to supply the best product possible.