



Chipsmall Limited consists of a professional team with an average of over 10 year of expertise in the distribution of electronic components. Based in Hongkong, we have already established firm and mutual-benefit business relationships with customers from,Europe,America and south Asia,supplying obsolete and hard-to-find components to meet their specific needs.

With the principle of “Quality Parts,Customers Priority,Honest Operation,and Considerate Service”,our business mainly focus on the distribution of electronic components. Line cards we deal with include Microchip,ALPS,ROHM,Xilinx,Pulse,ON,Everlight and Freescale. Main products comprise IC,Modules,Potentiometer,IC Socket,Relay,Connector.Our parts cover such applications as commercial,industrial, and automotives areas.

We are looking forward to setting up business relationship with you and hope to provide you with the best service and solution. Let us make a better world for our industry!



Contact us

Tel: +86-755-8981 8866 Fax: +86-755-8427 6832

Email & Skype: info@chipsmall.com Web: www.chipsmall.com

Address: A1208, Overseas Decoration Building, #122 Zhenhua RD., Futian, Shenzhen, China



4

3

2

1

THIS DRAWING IS UNPUBLISHED.

RELEASED FOR PUBLICATION

© COPYRIGHT - By TE Connectivity

ALL RIGHTS RESERVED.

LOC

DIST

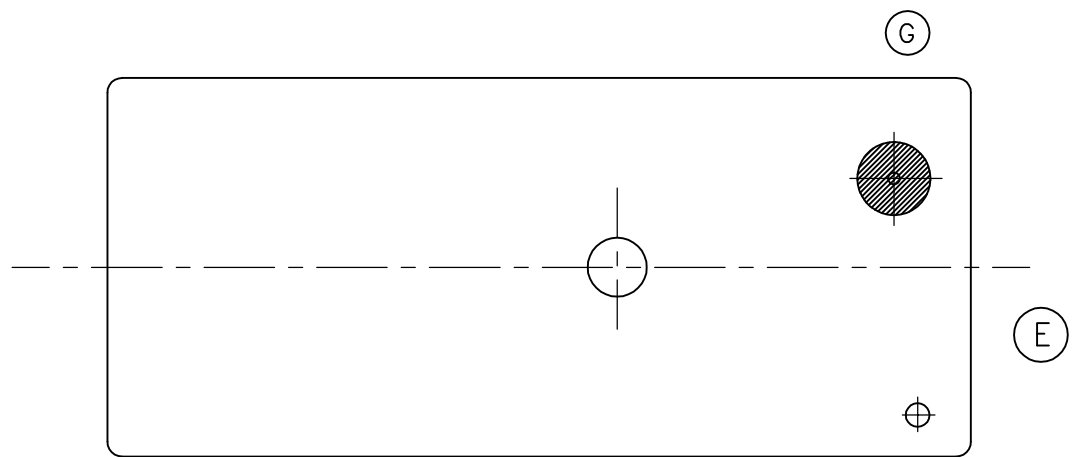
REVISIONS

HB

P	LTR	DESCRIPTION	DATE	DWN	APVD
G		CHANGE THE VENT HOLE SHAPE FROM RECTANGLE TO CIRCLE ONE	16-DEC-13	XL,Y	B,F

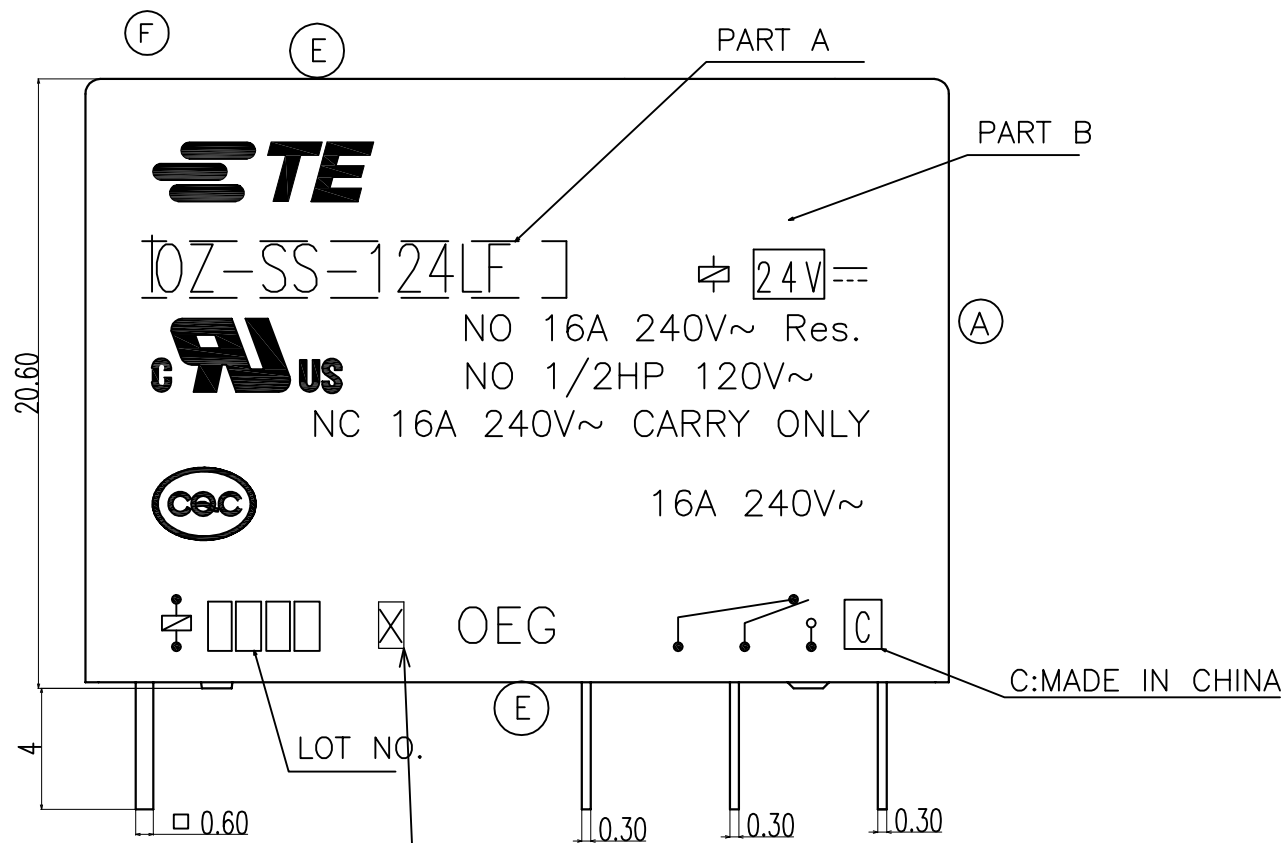
D

D



C

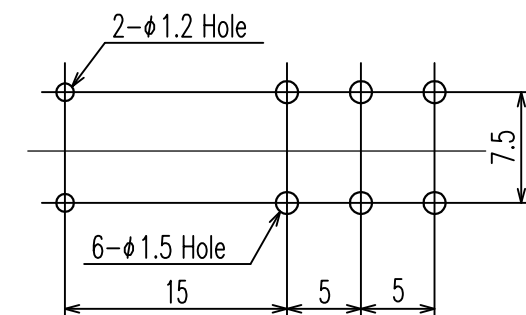
C



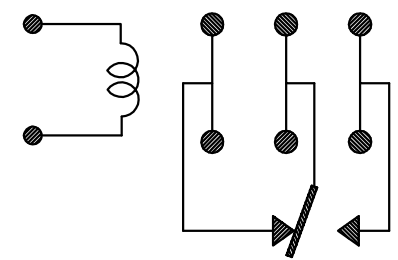
B

B

DRILLING DIAGRAM(2/1)
(BOTTOM VIEW)

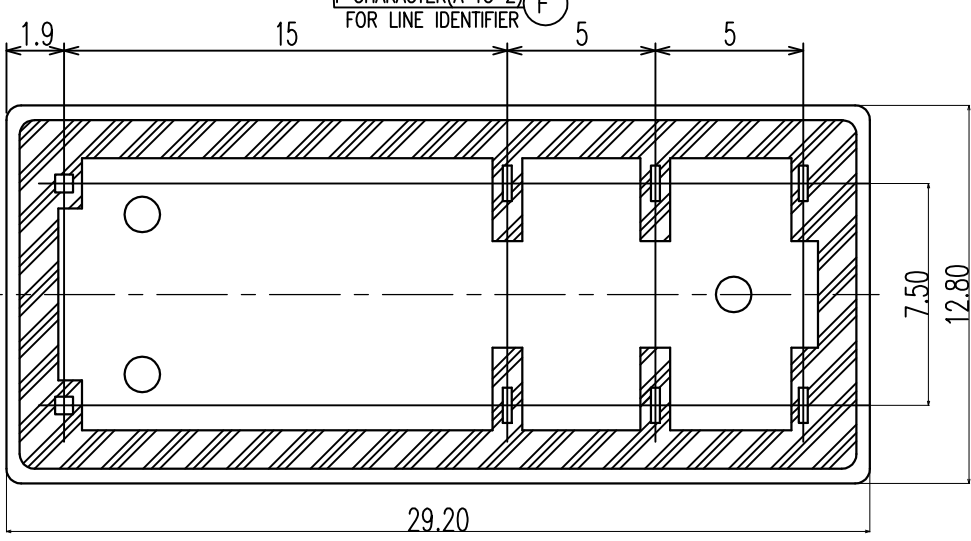


CIRCUIT DIAGRAM
(BOTTOM VIEW)



A

A



THIS DRAWING IS A CONTROLLED DOCUMENT.		DWN H.SASAKI	TE Connectivity	
DIMENSIONS: mm		CHK N.FUNAYAMA		
TOLERANCES UNLESS OTHERWISE SPECIFIED:		APVD A.NAGAI	NAME OZ CUSTOMER DRAWING	
0 PLC ±-		PRODUCT SPEC	RESTRICTED TO	
1 PLC ±-		APPLICATION SPEC	SIZE A3	CAGE CODE 00779
2 PLC ±-		WEIGHT	DRAWING NO C=1461869	SCALE 4:1
3 PLC ±-		CUSTOMER DRAWING	SHEET 1 of 2	REV G
4 PLC ±-				
ANGLES ±-				
FINISH				

THIS DRAWING IS UNPUBLISHED.

RELEASED FOR PUBLICATION

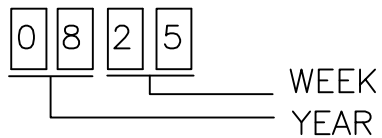
- . -

© COPYRIGHT - By TE Connectivity

ALL RIGHTS RESERVED.

LOC	DIST	REVISIONS			
P	LTR	DESCRIPTION	DATE	DWN	APVD
HB	-	SEE SHEET 1	-	-	-

(E) NOTES:
1. LOT NO. SYSTEM AS FOLLOWING:



2. GENERAL TOLERANCE AS FOLLOWING:

TOLERANCE	
0~0.99mm	±0.1
1mm~2.99mm	±0.2
3mm MIN.	±0.3

3. TERMINAL DIMENSION IS NOT INCLUDING SOLDER TIP.

(F) 4. FOR THE TIN-PLATING OF THE PINS:
+0.1mm FOR WIDTH, THICKNESS AND DIAMETER.
+0.5mm FOR LENGTH.

(D1)	1461869-5	OZ-SS-109LF	9V	OZ-SS-109LF	e
(B)	1461869-4	OZ-SH-112LF	12V	OZ-SH-112LF	d
(B)	1461869-3	OZ-SS-112LF	12V	OZ-SS-112LF	c
	1461869-2	OZ-SH-124LF	24V	OZ-SH-124LF	b
	1461869-1	OZ-SS-124LF	24V	OZ-SS-124LF	a
	TE PART NO	EC TYPE NAME	PART B	PART A	ITEM

RELAY TYPE

		EPOXY RESIN	SEAL	16	
		Cu ALLOY	HINGE SPRING	15	
		PBT	CASE	14	
		MW79	MAGNETIC WIRE	13	
UL94V-0		PET	BASE	12	
UL94HB		PA66 NYLON	BOBBIN	11	
	SOLDER DIP	Cu ALLOY	COIL TERMINAL	10	
UL94V-0		PPS	CARD	9	
		Ag ALLOY	MOVABLE CONTACT	8	
		Ag ALLOY	STATIONARY CONTACT	7	
	SOLDER DIP	Cu ALLOY	NC-TERMINAL	6	
	SOLDER DIP	Cu ALLOY	MOVABLE SPRING	5	
	SOLDER DIP	Cu ALLOY	NO-TERMINAL	4	
	Ni PLATED	STEEL	CORE	3	
	Ni PLATED	STEEL	ARMATURE	2	
	Ni PLATED	STEEL	YOKE	1	
	INCOMBUSTIBILITY	TREATMENT	MATERIAL	DESCRIPTION	ITEM

THIS DRAWING IS A CONTROLLED DOCUMENT.		DWN H.SASAKI	TE Connectivity		
DIMENSIONS: mm		CHK N.FUNAYAMA			
TOLERANCES UNLESS OTHERWISE SPECIFIED:		APVD A.NAGAI	NAME		
0 PLC ± -		PRODUCT SPEC	OZ CUSTOMER DRAWING		
1 PLC ± -		APPLICATION SPEC	SIZE	CAGE CODE	DRAWING NO
2 PLC ± -		WEIGHT	A3	00779	C=1461869
3 PLC ± -		CUSTOMER DRAWING	RESTRICTED TO		
4 PLC ± -			SCALE	SHEET	REV
ANGLES ± -			4:1	2 OF 2	G
FINISH					