



Chipsmall Limited consists of a professional team with an average of over 10 year of expertise in the distribution of electronic components. Based in Hongkong, we have already established firm and mutual-benefit business relationships with customers from,Europe,America and south Asia,supplying obsolete and hard-to-find components to meet their specific needs.

With the principle of “Quality Parts,Customers Priority,Honest Operation,and Considerate Service”,our business mainly focus on the distribution of electronic components. Line cards we deal with include Microchip,ALPS,ROHM,Xilinx,Pulse,ON,Everlight and Freescale. Main products comprise IC,Modules,Potentiometer,IC Socket,Relay,Connector.Our parts cover such applications as commercial,industrial, and automotives areas.

We are looking forward to setting up business relationship with you and hope to provide you with the best service and solution. Let us make a better world for our industry!



Contact us

Tel: +86-755-8981 8866 Fax: +86-755-8427 6832

Email & Skype: info@chipsmall.com Web: www.chipsmall.com

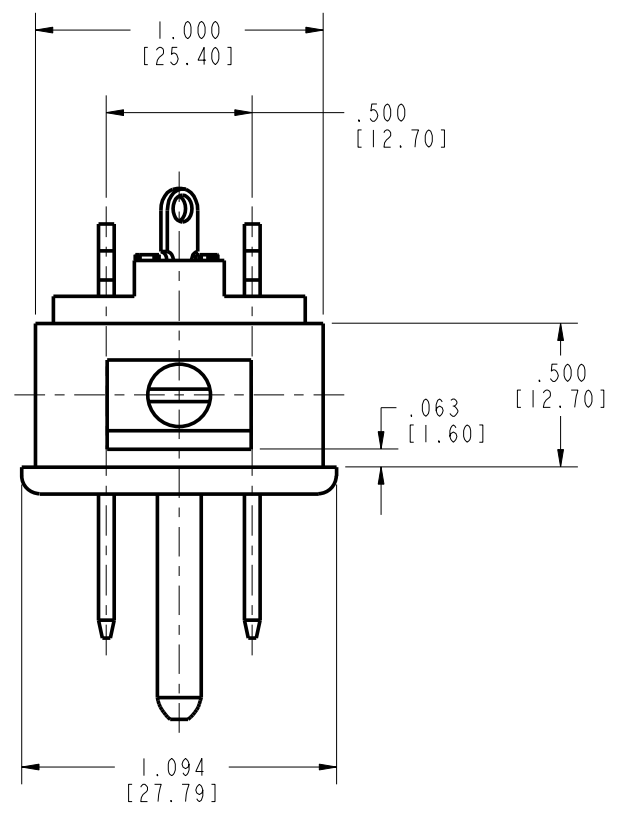
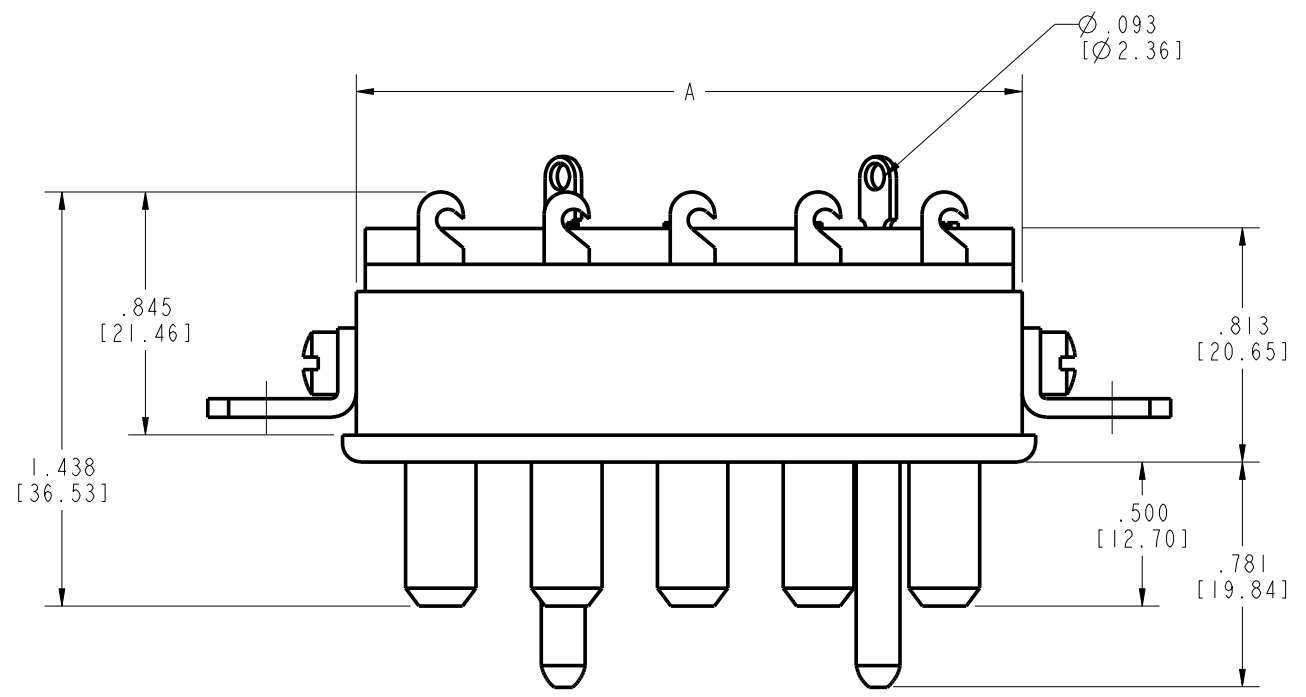
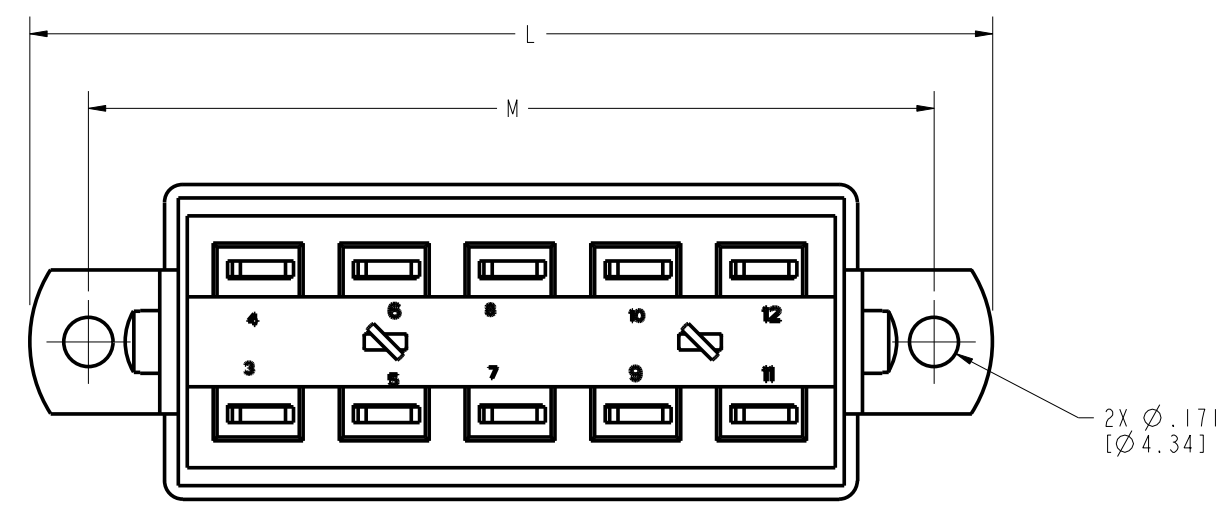
Address: A1208, Overseas Decoration Building, #122 Zhenhua RD., Futian, Shenzhen, China



DRAWING REVISIONS

REV	DOCUMENT	APP	DATE
1	DO 06-1068		

PART NUMBER	SIZE	L	M	A	FACTORY NUMBER
P-2404H-AB	4	2.031 [51.59]	1.625 [41.28]	1.000 [25.40]	703 03 04 001
P-2406H-AB	6	2.469 [62.71]	2.063 [52.40]	1.438 [36.53]	703 03 06 001
P-2408H-AB	8	2.906 [73.81]	2.500 [63.50]	1.875 [47.63]	703 03 08 001
P-2410H-AB	10	3.344 [84.94]	2.938 [74.63]	2.313 [58.75]	703 03 10 001
P-2412H-AB	12	3.781 [96.04]	3.375 [85.73]	2.750 [69.85]	703 03 12 001



NOTES:
 1. SPECIFICATIONS:
 ELECTRICAL:
 OPERATING VOLTAGE: 250 VAC RMS
 CURRENT RATING: 15 AMPS
 CURRENT RESISTANCE: 1.0 MILLIOHMS MAXIMUM

INSULATOR: MOLDED MONBLOCK, GENERAL PURPOSE PHENOLIC, BLACK
 CONTACT: BRASS, MATTE TIN
 BRACKET, SCREW: STEEL, ZINC WITH CLEAR TRVALENT CHROME
 ENVIRONMENTAL:
 OPERATING TEMPERATURE: UP TO +105°C
 TERMINATION: SOLDER

2. DIMENSIONS IN [] ARE MILLIMETERS
 3. ALL DIMENSIONS ARE REFERENCE

RoHS COMPLIANT

MODELED BY:
JIMENEZ

UNITS ENGLISH INCHES		PRO/E		Cinch		1700 FINLEY RD LOMBARD, IL. 60148	
DO NOT SCALE DRAWING		DRAWN BY JIMENEZ	DATE 7/31/06	TITLE PLUG AND ANGLE BRACKET ASSEMBLY			
UNLESS OTHERWISE SPECIFIED: ALL DIMENSIONS ARE IN INCHES		DESIGN ENGINEER A. BALI	7/31/06	MATERIAL		CONTROL SPEC NUMBER 06-1068	
FILLET/RADII .02 MAX		DESIGN ENGINEERING MGR.		MATERIAL SPEC NUMBER		PROJECT NUMBER C14789-2	
TOLERANCES XX ± .01 XXX ± .005 ANGULAR ± .5°		MFG. ENGINEERING		CAD FILE NUMBER P2404HAB		DRAWING NUMBER P-2404H-AB	
THIS DOCUMENT IS THE PROPERTY OF CINCH. NEITHER THIS DOCUMENT NOR ANY OF THE INFORMATION CONTAINED IN IT MAY BE DUPLICATED OR DISCLOSED WITHOUT PRIOR WRITTEN CONSENT OF CINCH.		QUALITY ASSURANCE		CAGE IDENT NO. SIZE 71785 B	SCALE 1.000	SHEET 1 OF 1	