



Chipsmall Limited consists of a professional team with an average of over 10 year of expertise in the distribution of electronic components. Based in Hongkong, we have already established firm and mutual-benefit business relationships with customers from,Europe,America and south Asia,supplying obsolete and hard-to-find components to meet their specific needs.

With the principle of “Quality Parts,Customers Priority,Honest Operation,and Considerate Service”,our business mainly focus on the distribution of electronic components. Line cards we deal with include Microchip,ALPS,ROHM,Xilinx,Pulse,ON,Everlight and Freescale. Main products comprise IC,Modules,Potentiometer,IC Socket,Relay,Connector.Our parts cover such applications as commercial,industrial, and automotives areas.

We are looking forward to setting up business relationship with you and hope to provide you with the best service and solution. Let us make a better world for our industry!



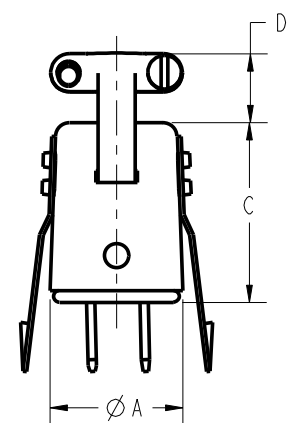
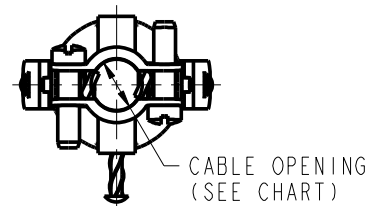
Contact us

Tel: +86-755-8981 8866 Fax: +86-755-8427 6832

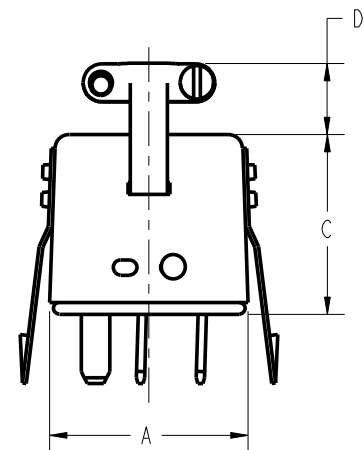
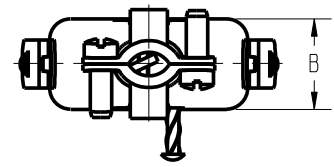
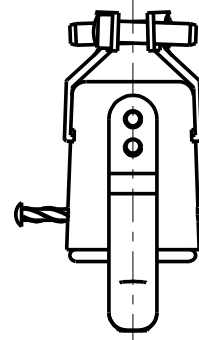
Email & Skype: info@chipsmall.com Web: www.chipsmall.com

Address: A1208, Overseas Decoration Building, #122 Zhenhua RD., Futian, Shenzhen, China

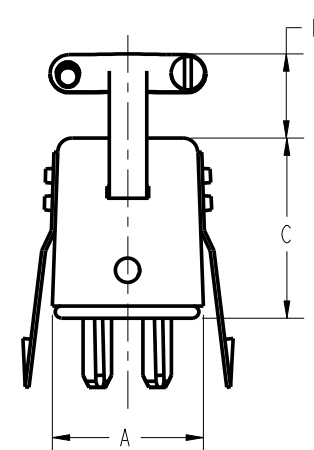
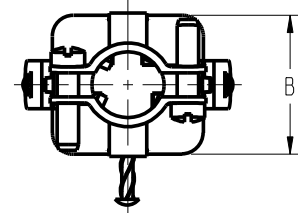




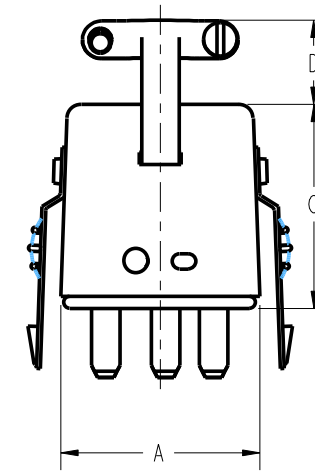
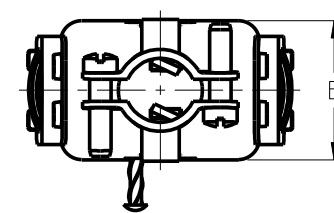
TYPE 1



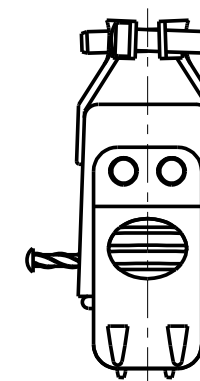
TYPE 2



TYPE 3



TYPE 4



DRAWING REVISIONS

| REV | DOCUMENT | APP | DATE |
|-----|------------|-----|------|
| 1 | DO 06-1067 | | |

| PART NUMBER | TYPE | A REF | B REF | C REF | D REF | CABLE OPENING REF | FACTORY NUMBER |
|--------------|------|---------------------|-----------------|------------------|-----------------|-------------------|----------------|
| P-302H-CCT-L | 1 | Ø .691 [Ø 17.55] | - | .953 [24.21] | .359 [9.12] | .375 [9.53] | 703 01 02 003 |
| P-303H-CCT-L | 2 | 1.034 [26.26] | .472 [11.99] | .953 [24.21] | .359 [9.12] | .313 [7.95] | 703 01 03 003 |
| P-304H-CCT-L | 3 | .786 [19.96] | .724 [18.39] | .953 [24.21] | .468 [11.89] | .375 [9.53] | 703 01 04 003 |
| P-306H-CCT-L | 4 | 1.036 [26.31] | .724 [18.39] | 1.078 [27.38] | .484 [12.29] | .438 [11.13] | 703 01 06 003 |

NOTES:

1. SPECIFICATIONS:

ELECTRICAL:
 OPERATING VOLTAGE: 250 VAC RMS
 CURRENT RATING: 10 AMPS
 CONTACT RESISTANCE: 16 MILLIOHMS MAX

INSULATOR, CAP, RIVET: GENERAL PURPOSE PHENOLIC, BLACK

CONTACT: BRASS, MATTE TIN

BRACKET, SCREW, LOCK, DRIVE PIN: STEEL, ZINC WITH CLEAR TRIVALENT CHROMATE

ENVIRONMENTAL:
 OPERATING TEMPERATURE: UP TO +105°C

TERMINATION: SOLDER

2. DIMENSIONS IN [] ARE IN MILLIMETERS

3. ALL DIMENSIONS ARE REFERENCE

RoHS COMPLIANT

MODELED BY:

| | | | | |
|------------------------------------------------------------------------------------------------------------------------------------------------------------------------------------------------|----------------------------|-----------------|----------------------------------------------------|---------------------------------------|
| UNITS ENGLISH INCHES | PRO/E | Cinch | | 1700 FINLEY RD LOMBARD, IL. 60148 |
| DO NOT SCALE DRAWING | DRAWN BY JIMENEZ | DATE 6/19/06 | TITLE PLUG ASSEMBLY, CABLE CLAMP TOP W/LOCKS | |
| UNLESS OTHERWISE SPECIFIED: ALL DIMENSIONS ARE IN INCHES | DESIGN ENGINEER A. BALI | 6/19/06 | CONTROL SPEC NUMBER 06-1067 | |
| FILLET/RADII .02 MAX | DESIGN ENGINEERING MGR. | | MATERIAL SPEC NUMBER | PROJECT NUMBER C14789-1 |
| TOLERANCES X ± .1 XX ± .01 XXX ± .005 ANGULAR ± .5° | MFG. ENGINEERING | | CAD FILE NUMBER P302HCCTL | DRAWING NUMBER P-302H-CCT-L |
| THIS DOCUMENT IS THE PROPERTY OF CINCH. NEITHER THIS DOCUMENT NOR ANY OF THE INFORMATION CONTAINED IN IT MAY BE DUPLICATED OR DISCLOSED WITHOUT PRIOR WRITTEN CONSENT OF CINCH. | QUALITY ASSURANCE | | CAGE IDENT NO. SIZE 71785 B | SCALE 1:1 SHEET 1 OF 1 |