



Chipsmall Limited consists of a professional team with an average of over 10 year of expertise in the distribution of electronic components. Based in Hongkong, we have already established firm and mutual-benefit business relationships with customers from,Europe,America and south Asia,supplying obsolete and hard-to-find components to meet their specific needs.

With the principle of “Quality Parts,Customers Priority,Honest Operation,and Considerate Service”,our business mainly focus on the distribution of electronic components. Line cards we deal with include Microchip,ALPS,ROHM,Xilinx,Pulse,ON,Everlight and Freescale. Main products comprise IC,Modules,Potentiometer,IC Socket,Relay,Connector.Our parts cover such applications as commercial,industrial, and automotives areas.

We are looking forward to setting up business relationship with you and hope to provide you with the best service and solution. Let us make a better world for our industry!



## Contact us

Tel: +86-755-8981 8866 Fax: +86-755-8427 6832

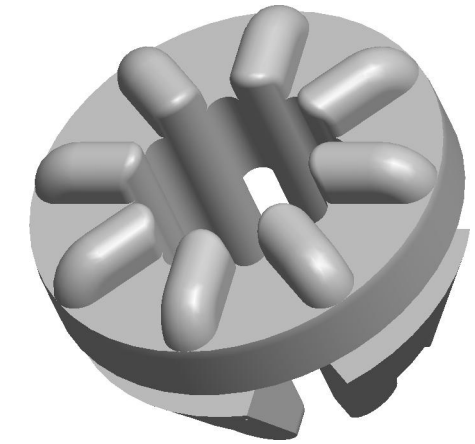
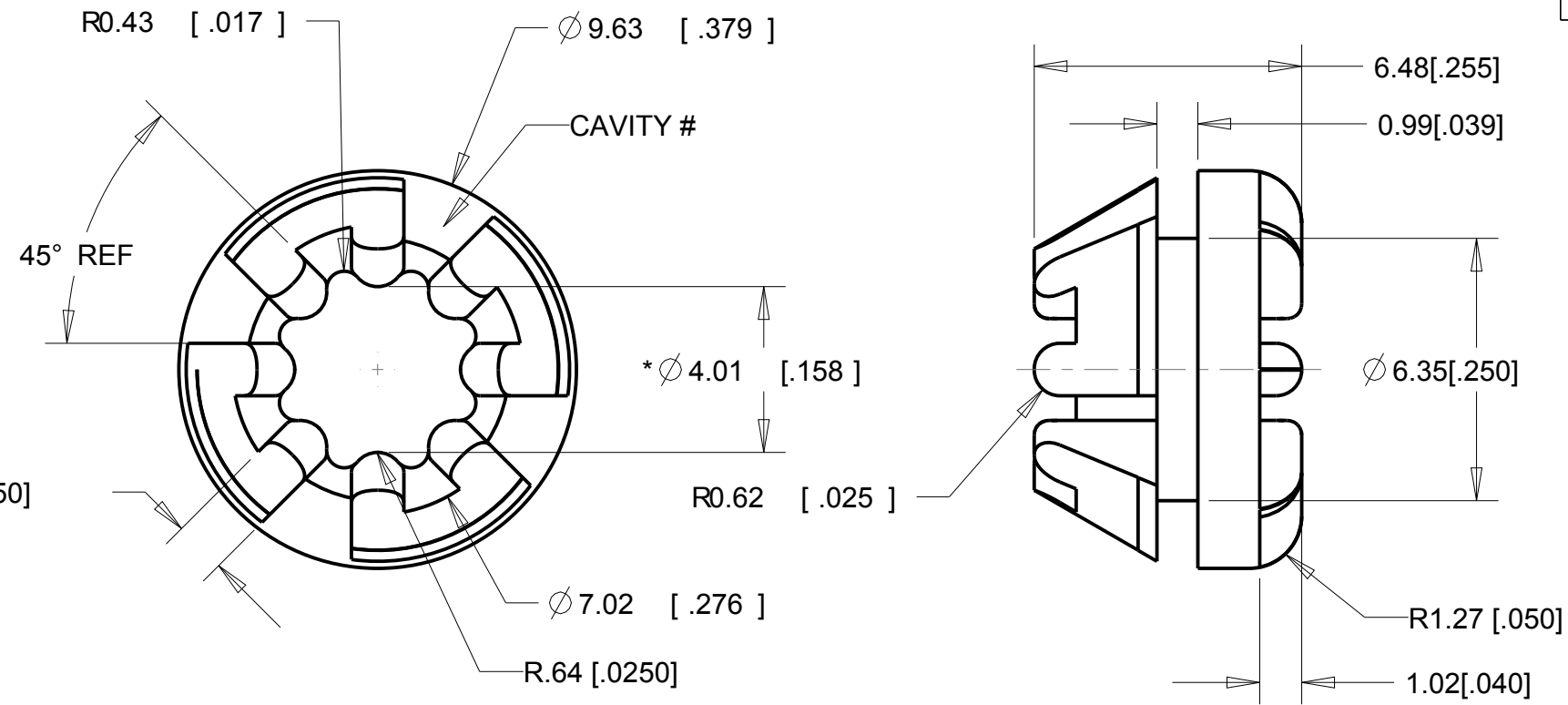
Email & Skype: info@chipsmall.com Web: www.chipsmall.com

Address: A1208, Overseas Decoration Building, #122 Zhenhua RD., Futian, Shenzhen, China





REVISIONS				
DRAWN	REV	DESCRIPTION	DATE	APPROVED
BCC	00	ORIGINAL	10-14-04	
KP	01	UPDATED FORMAT, NOTES, TOLERANCES, ADDED WEIGHT AND CAVITY LOCATION.	9-8-11	MS



PART NUMBER	MATERIAL
P-415-V2790	V-2790
P-415-V2775	V-2775
P-415-V2750	V-2750
P-415-V2590	V-2590
P-415-V2575	V-2575
P-415-V2550	V-2550
P-415-V2525	V-2525
P-415-V2375	V-2375
P-415-V2350	V-2350
P-415-V2325	V-2325
P-415-3	C-1100
P-415-2	C-1105
P-415-1	C-1002
P-415-C8002	C-8002
P-415-C8001	C-8001
P-415-C8012	C-8012

RANGE	TOL
0<DIM<=2 [0.078]	± 0.15 [.006]
2 [0.078]<DIM<=25 [0.98]	± 0.25 [.010]
25 [0.98]<DIM<=50 [1.969]	± 0.4 [.016]
50 [1.969]<DIM	± 0.6 [.024]

4. \* = MAJOR DIMESION  
 3. MAX DRAFT: 2°  
 2. CRITICAL DIMENSIONS SHALL HAVE Cpk VALUE >= 1.33 WITH ONGOING SPC DATA REQUIRED  
 1. CRITICAL DIMENSIONS ARE MARKED WITH "\*\*\*".
- NOTES:

UNLESS OTHERWISE SPECIFIED UNITS ARE: MM [IN] TOLERANCE FOR ANGLES: ±0.0°	MATERIAL: <b>SEE TABLE</b>	AEARO TECHNOLOGIES LLC * a 3M company		
	ALLOWABLE FLASH: .12MM [.005]	QUALITY CONTROL: MUST COMPLY WITH E-A-R SPECIALTY COMPOSITES SUPPLIER QUALITY MANUAL REQUIREMENTS	TITLE <b>GROMMET - SYMMETRIC, INTERNALLY RIBBED</b>	
GATE: ±.25MM [.010]	NOTES: ANY FEATURE NOT DIMENSIONED IN PRINT MUST BE VISIBLY PRESENT, UTILIZE 3D CAD FOR CREATION	SIZE <b>B</b>	DRAWING NO. <b>P-415-X</b>	PAGE NO. <b>1 OF 1</b>
0.24 GRAM REF				