



Chipsmall Limited consists of a professional team with an average of over 10 year of expertise in the distribution of electronic components. Based in Hongkong, we have already established firm and mutual-benefit business relationships with customers from,Europe,America and south Asia,supplying obsolete and hard-to-find components to meet their specific needs.

With the principle of “Quality Parts,Customers Priority,Honest Operation,and Considerate Service”,our business mainly focus on the distribution of electronic components. Line cards we deal with include Microchip,ALPS,ROHM,Xilinx,Pulse,ON,Everlight and Freescale. Main products comprise IC,Modules,Potentiometer,IC Socket,Relay,Connector.Our parts cover such applications as commercial,industrial, and automotives areas.

We are looking forward to setting up business relationship with you and hope to provide you with the best service and solution. Let us make a better world for our industry!



Contact us

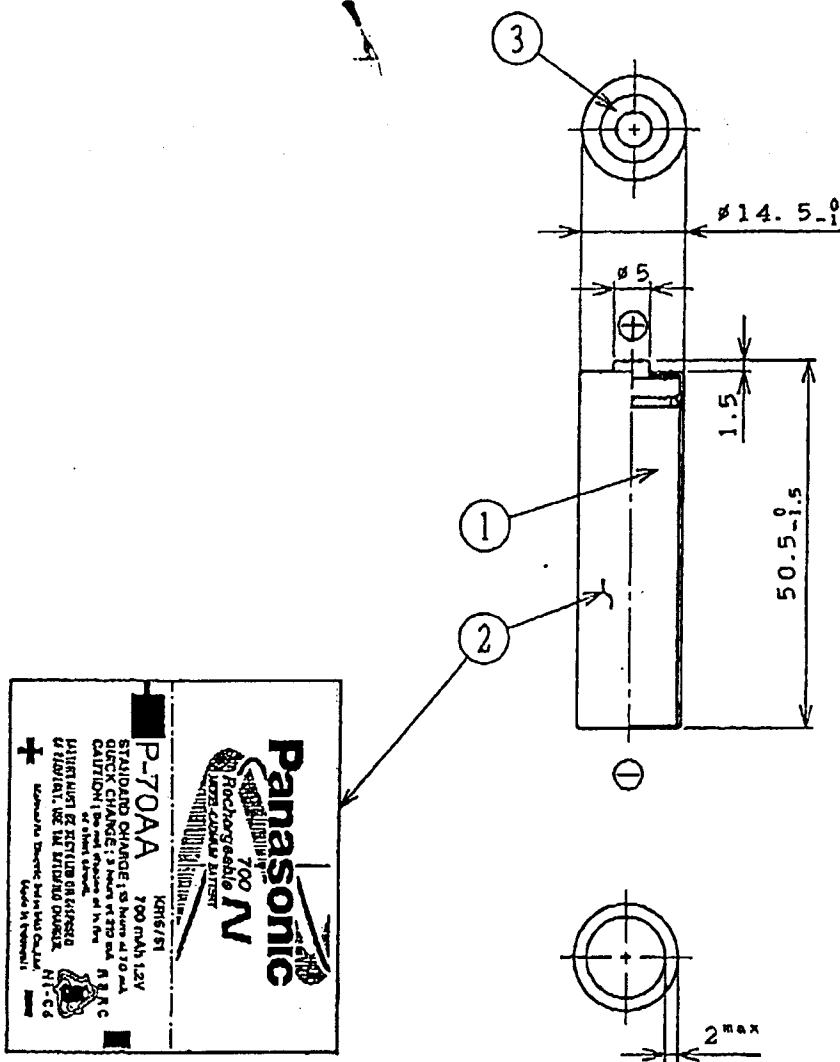
Tel: +86-755-8981 8866 Fax: +86-755-8427 6832

Email & Skype: info@chipsmall.com Web: www.chipsmall.com

Address: A1208, Overseas Decoration Building, #122 Zhenhua RD., Futian, Shenzhen, China



Commercial Tolerance	Sym.	Date	Revision	Drawn	Checked	Approved
	△					



※HEAT STAMP: DATE CODE

EX: 9808

Year Month

POSITION: FACTORY DECIDE

NOMINAL VOLTAGE : 1.2V
 NOMINAL CAPACITY : 700 mAh
 APPROX WEIGHT : 21g

3	INSULATOR	PAPER (WHITE)	1		
2	OUTER JACKET	P. V. C. TUBE (LAVENDER)	1	HEAT STAMP: DATE CODE	RBRG MARK
1	CELL	P-70AARC/B	1	CHARGED	
Sym.	Item or Code No.	Material & Size	qt.	Process	Remark
NICKEL-CADMIUM BATTERY			Model No.	P-70AARC/D1B	
			Name	DIMENSION SKETCH	
Scale	Designed	Drawn	Checked	Approved	No.
1/1	HARIE	YAN	<i>[Signature]</i>		98082501
	24. AUG. 98	25. AUG. 98			