



Chipsmall Limited consists of a professional team with an average of over 10 year of expertise in the distribution of electronic components. Based in Hongkong, we have already established firm and mutual-benefit business relationships with customers from,Europe,America and south Asia,supplying obsolete and hard-to-find components to meet their specific needs.

With the principle of “Quality Parts,Customers Priority,Honest Operation,and Considerate Service”,our business mainly focus on the distribution of electronic components. Line cards we deal with include Microchip,ALPS,ROHM,Xilinx,Pulse,ON,Everlight and Freescale. Main products comprise IC,Modules,Potentiometer,IC Socket,Relay,Connector.Our parts cover such applications as commercial,industrial, and automotives areas.

We are looking forward to setting up business relationship with you and hope to provide you with the best service and solution. Let us make a better world for our industry!



Contact us

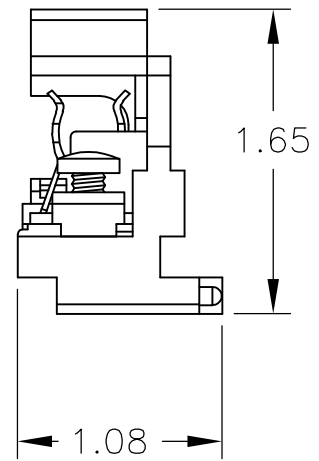
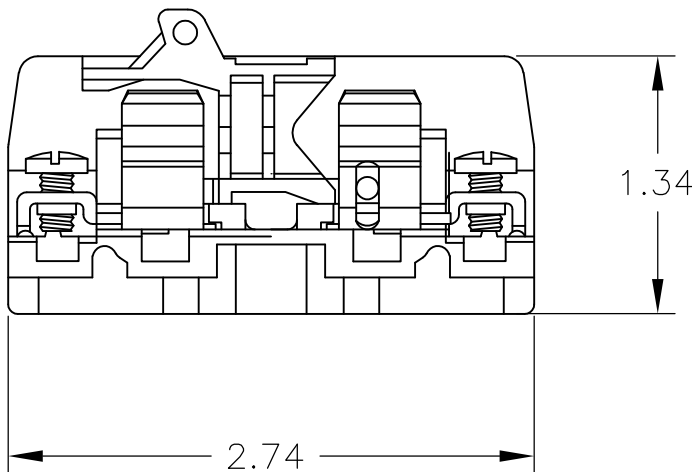
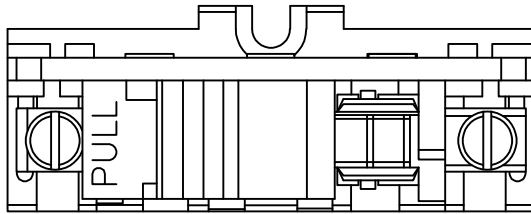
Tel: +86-755-8981 8866 Fax: +86-755-8427 6832

Email & Skype: info@chipsmall.com Web: www.chipsmall.com

Address: A1208, Overseas Decoration Building, #122 Zhenhua RD., Futian, Shenzhen, China



LOC	DIST	REVISIONS					
—	—	P	LTR	DESCRIPTION	DATE	DWN	APVD
		A		REDRAWN PER ECO-08-023052	30SEP08	HMR	SM



0351	PHENOLIC, DOVETAIL	1437397-9
351	PHENOLIC, FLAT	2-1437397-8
P0311	POLY DOVETAIL	4-1437397-0
0311	NYLON DOVETAIL	1437397-1
CAT. NO.	DESCRIPTION	PART NO.

THIS DRAWING IS UNPUBLISHED. ALL INTERNATIONAL RIGHTS RESERVED. BY TYCO ELECTRONICS CORPORATION.

DIMENSIONS:	
INCHES	
TOLERANCES UNLESS OTHERWISE SPECIFIED:	
0 PLC	± -
1 PLC	± -
2 PLC	± .01
3 PLC	± .005
4 PLC	± .0005
ANGLES	± 1'

DWN	30SEP08	MATERIAL	FINISH
RAGHAVENDRA		-	-
CHK	30SEP08	Tyco Electronics Corporation Harrisburg, PA 17105-3608	
MACE SAM			
APVD	30SEP08	NAME	
MACE SAM		CONTACT SECTION W/ FUSE PULLER & TUBULAR CONTACT	
PRODUCT SPEC	-	SIZE	CAGE CODE
APPLICATION SPEC	-	A4	00779
WEIGHT	-	DRAWING NO	RESTRICTED TO
		C-1437397-1	-

CUSTOMER DRAWING	SCALE	1:1	SHEET	1 OF 1	REV	A
------------------	-------	-----	-------	--------	-----	---