



Chipsmall Limited consists of a professional team with an average of over 10 year of expertise in the distribution of electronic components. Based in Hongkong, we have already established firm and mutual-benefit business relationships with customers from,Europe,America and south Asia,supplying obsolete and hard-to-find components to meet their specific needs.

With the principle of “Quality Parts,Customers Priority,Honest Operation,and Considerate Service”,our business mainly focus on the distribution of electronic components. Line cards we deal with include Microchip,ALPS,ROHM,Xilinx,Pulse,ON,Everlight and Freescale. Main products comprise IC,Modules,Potentiometer,IC Socket,Relay,Connector.Our parts cover such applications as commercial,industrial, and automotives areas.

We are looking forward to setting up business relationship with you and hope to provide you with the best service and solution. Let us make a better world for our industry!



Contact us

Tel: +86-755-8981 8866 Fax: +86-755-8427 6832

Email & Skype: info@chipsmall.com Web: www.chipsmall.com

Address: A1208, Overseas Decoration Building, #122 Zhenhua RD., Futian, Shenzhen, China



SMT COMMON MODE CHOKES

1.22A to 14.0A



- Solutions based on impedance, size and current
- Designed for DC/DC converters
- Wide variety of inductor sizes and current ratings available
- Dielectric strength: 1000V_{RMS}

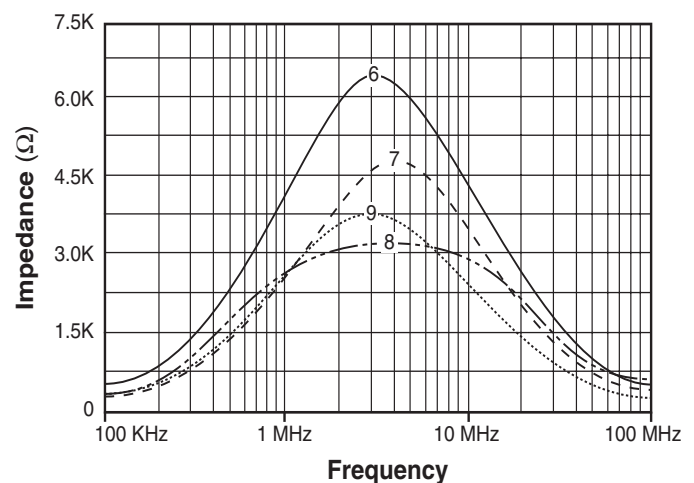
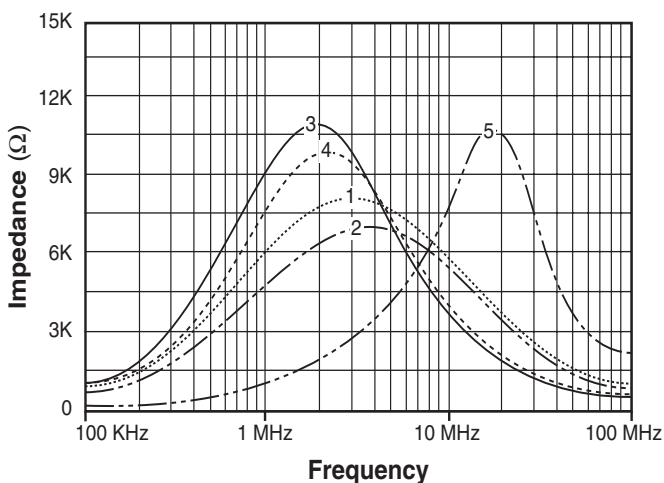
Electrical Specifications @ 25°C — Operating Temperature -40°C to +120°C³

| Part ^{1,2} Number | Inductance (mH ±35%) | I _{rated} (A) | DCR (MAX) (mΩ) | Curve (see # below) | Package | Weight (Grams) | Quantity In Tube | Quantity In Reel |
|----------------------------|----------------------|------------------------|----------------|---------------------|----------|----------------|------------------|------------------|
| P0502 | 0.47 | 14.0 | 8 | 9 | Big Foot | 14.8 | 15 | 75 |
| P0469 | 0.63 | 11.6 | 10 | 7 | Big Foot | 14.3 | 20 | 75 |
| P0429 | 0.81 | 9.70 | 14 | 6 | Big Foot | 13.5 | 20 | 75 |
| P0527 | 0.53 | 7.20 | 15 | 8 | HCCI-68 | 7.7 | 15 | 100 |
| P0353 | 0.59 | 5.60 | 21 | 7 | LCCI-50 | 5.2 | 30 | 200 |
| P0422 | 0.77 | 4.70 | 40 | 6 | LCCI-50 | 4.9 | 30 | 200 |
| P0421 | 0.22 | 3.30 | 60 | 5 | LCCI-50 | 4.7 | 30 | 200 |
| P0420 | 1.32 | 3.30 | 60 | 4 | LCCI-50 | 4.6 | 30 | 200 |
| P0351 | 1.47 | 2.80 | 80 | 3 | LCCI-50 | 4.3 | 30 | 200 |
| P0473 | 0.88 | 1.63 | 110 | 2 | Polecat | 1.5 | 40 | 500 |
| P0354 | 1.17 | 1.22 | 200 | 1 | Polecat | 1.4 | 40 | 500 |

NOTE:

1. Optional Tape & Reel packaging can be ordered by adding a "T" suffix to the part number (i.e. P0502 becomes P0502T). Pulse complies to industry standard tape and reel specification EIA481.
2. To order RoHS compliant part, add the suffix "NL" to the part number (i.e. P0502 becomes P0502NL and P0502T becomes P0502NLT).
3. The temperature of the component (ambient plus temperature rise) must be within the stated operating temperature range.

Impedance Curves



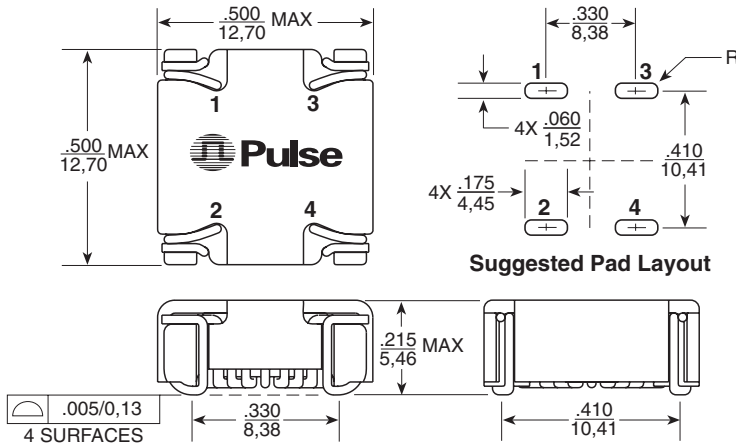
SMT COMMON MODE CHOKES

1.22A to 14.0A

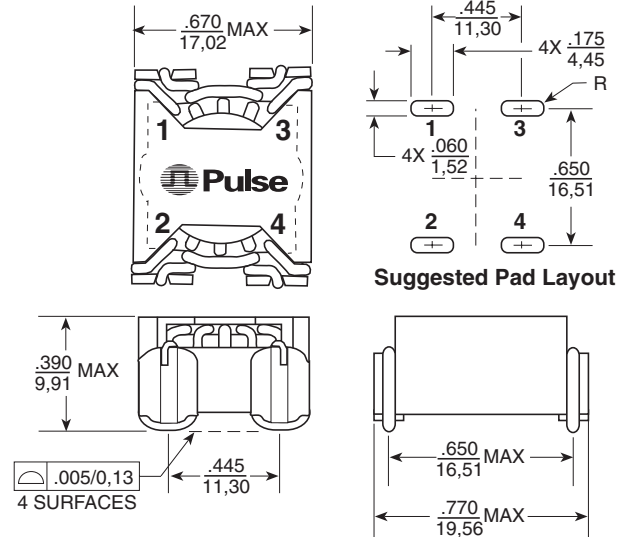


Mechanicals

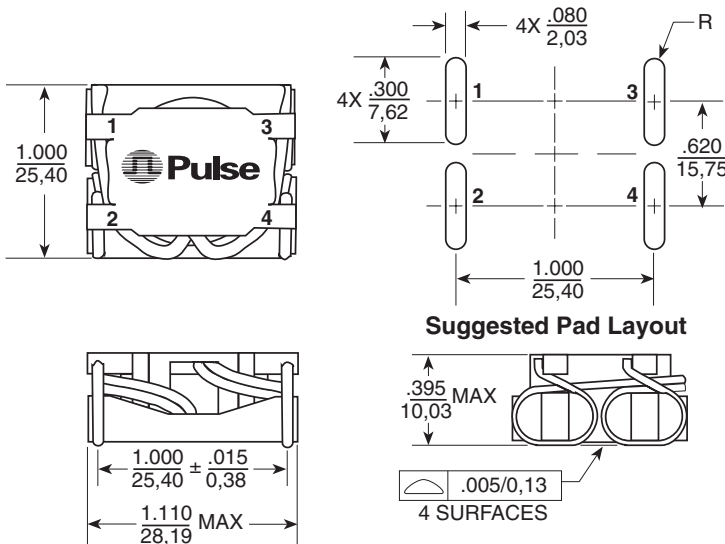
Polecat



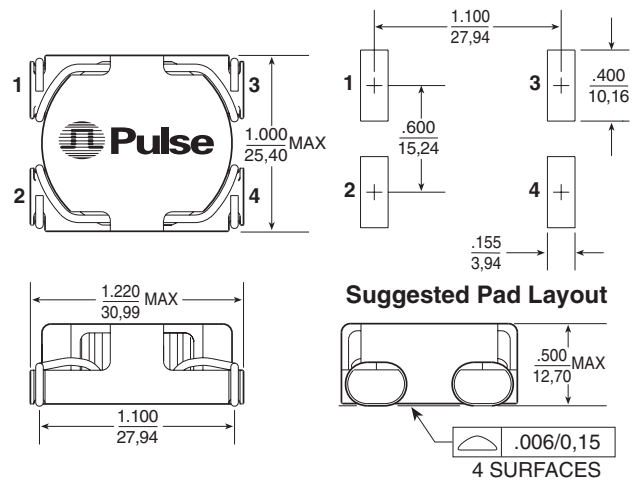
LCCI-50



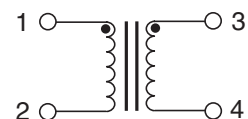
HCCI-68



Big Foot



Schematic



Dimensions: $\frac{\text{Inches}}{\text{mm}}$

Unless otherwise specified, all tolerances are $\pm \frac{.005}{0,13}$