



Chipsmall Limited consists of a professional team with an average of over 10 year of expertise in the distribution of electronic components. Based in Hongkong, we have already established firm and mutual-benefit business relationships with customers from,Europe,America and south Asia,supplying obsolete and hard-to-find components to meet their specific needs.

With the principle of "Quality Parts,Customers Priority,Honest Operation,and Considerate Service",our business mainly focus on the distribution of electronic components. Line cards we deal with include Microchip,ALPS,ROHM,Xilinx,Pulse,ON,Everlight and Freescale. Main products comprise IC,Modules,Potentiometer,IC Socket,Relay,Connector.Our parts cover such applications as commercial,industrial, and automotives areas.

We are looking forward to setting up business relationship with you and hope to provide you with the best service and solution. Let us make a better world for our industry!



Contact us

Tel: +86-755-8981 8866 Fax: +86-755-8427 6832

Email & Skype: info@chipsmall.com Web: www.chipsmall.com

Address: A1208, Overseas Decoration Building, #122 Zhenhua RD., Futian, Shenzhen, China



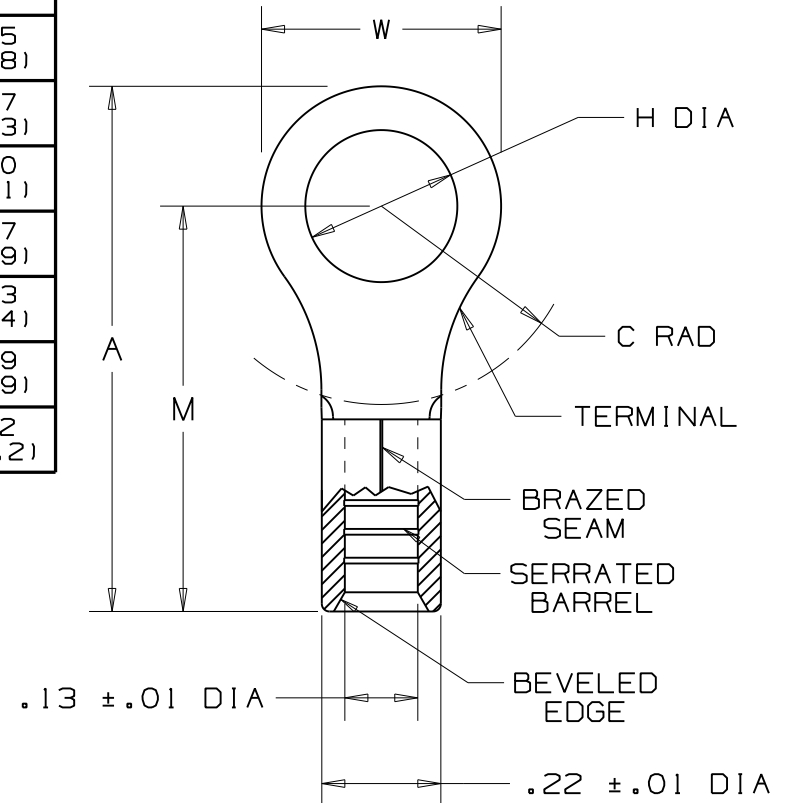
THIS COPY IS PROVIDED ON A RESTRICTED BASIS AND IS NOT TO BE USED IN ANY WAY DETRIMENTAL TO THE INTERESTS OF PANDUIT CORP.

PANDUIT PART NUMBER	MILITARY PART NO. AND CLASS	STUD SIZE	DIMENSIONS in.				
			A $\pm .03$	W $\pm .01$	C $\pm .02$	M $\pm .03$	H $\pm .01$
P10-6R	MS20659-165 CLASS 1 & 2	#6	.78 (19.8)	.31 (7.9)	.31 (7.9)	.62 (15.8)	.15 (3.8)
P10-8R	-----	#8	.78 (19.8)	.31 (7.9)	.31 (7.9)	.62 (15.8)	.17 (4.3)
P10-10R	MS20659-105 CLASS 1 & 2	#10	.81 (20.6)	.38 (9.7)	.31 (7.9)	.62 (15.8)	.20 (5.1)
P10-14R	-----	1/4"	.96 (24.4)	.52 (13.2)	.38 (9.7)	.70 (17.8)	.27 (6.9)
P10-56R	MS20659-106 CLASS 1 & 2	5/16"	.95 (24.1)	.52 (13.2)	.38 (9.7)	.70 (17.8)	.33 (8.4)
P10-38R	MS20659-128 CLASS 1 & 2	3/8"	1.05 (26.7)	.58 (14.7)	.44 (11.2)	.75 (19.1)	.39 (9.9)
P10-12R	-----	1/2"	1.20 (30.5)	.72 (18.3)	.53 (13.5)	.84 (21.3)	.52 (13.2)

NOTES:

- UL LISTED AND CSA CERTIFIED FOR:
 - #14-10 AWG (2.5-6.0 mm²) SOLID OR STRANDED COPPER WIRE
 - 302°F. (150°C) MAX. TEMP. RATING
- MATERIAL:
 - STAMPING- .04" (1.02) THK. COPPER, TIN PLATED
- WIRE STRIP LENGTH- 9/32" +1/32, -0 (7.1, +.8, -0)
- SEE www.panduit.com FOR PART NUMBER SUFFIX DESIGNATION FOR PACKAGE SIZE.
- DIMENSIONS IN PARENTHESIS ARE IN MILLIMETERS
- INSTALLATION TOOLS:
 - UL LISTED AND CSA CERTIFIED: CT-100, CT-100A, CT-200, CT-600A, CT-1570, CT-1701, CT-2500
 - PANDUIT APPROVED: CT-160, CT-260

Panduit part numbers shown on this drawing meet the material requirements of RoHS (EUROPEAN DIRECTIVES 2002/95/EC) as proposed by the Technical Adaptation Committee.



PANDUIT CORP.

TINLEY PARK, ILLINOIS

NON-INSULATED,
12-10 BARREL, RINGS

REV	DATE	BY	DESCRIPTION	CUST	PM	DRAWN BY	CHK'D	SCALE	DRAWING NO.
09	5/11	SHOR	MODIFIED NOTE #4 AND ADDED INSTALLATION TOOLS			FES		NONE	A41188
08	11/07	SRB	ADDED INSTALLATION TOOL CT-1570						