



Chipsmall Limited consists of a professional team with an average of over 10 year of expertise in the distribution of electronic components. Based in Hongkong, we have already established firm and mutual-benefit business relationships with customers from,Europe,America and south Asia,supplying obsolete and hard-to-find components to meet their specific needs.

With the principle of “Quality Parts,Customers Priority,Honest Operation,and Considerate Service”,our business mainly focus on the distribution of electronic components. Line cards we deal with include Microchip,ALPS,ROHM,Xilinx,Pulse,ON,Everlight and Freescale. Main products comprise IC,Modules,Potentiometer,IC Socket,Relay,Connector.Our parts cover such applications as commercial,industrial, and automotives areas.

We are looking forward to setting up business relationship with you and hope to provide you with the best service and solution. Let us make a better world for our industry!



## Contact us

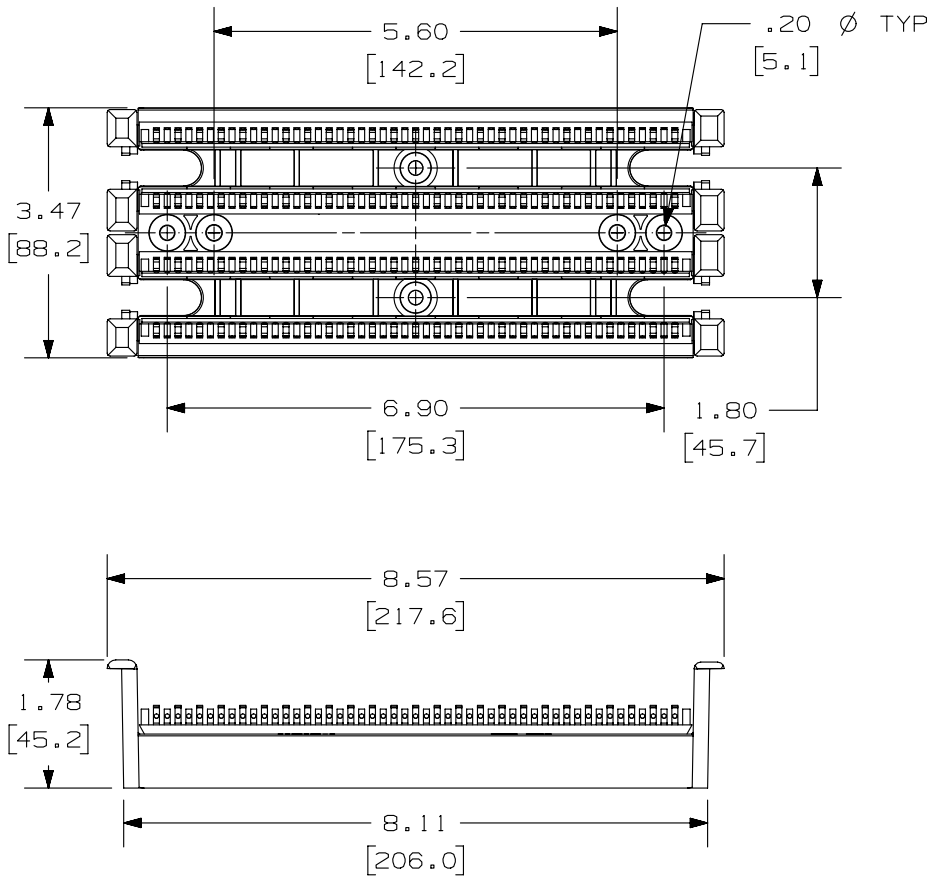
Tel: +86-755-8981 8866 Fax: +86-755-8427 6832

Email & Skype: info@chipsmall.com Web: www.chipsmall.com

Address: A1208, Overseas Decoration Building, #122 Zhenhua RD., Futian, Shenzhen, China



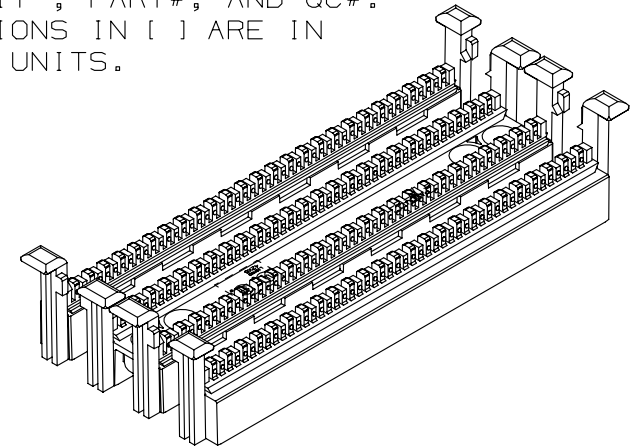
THIS COPY IS PROVIDED ON A RESTRICTED BASIS AND IS NOT TO BE USED IN ANY WAY DETRIMENTAL TO THE INTERESTS OF PANDUIT CORP.



PANDUIT PART NO.	WEIGHT
P110B100-X	.420 LB/EACH 190 g/EACH

NOTE:

- DIMENSIONS ARE NOMINAL UNLESS OTHERWISE SPECIFIED.
- TOOTH GEOMETRY IN WIRE SEPARATOR SIMPLIFIED FOR DWG CLARITY.
- WIRE SEPERATOR TEETH MARKED ACCORDING TO 25-PAIR TIP COLOR SCHEME.
- APPEARING ON TOP SURFACE: "PANDUIT", PART#, AND QC#.
- DIMINSIONS IN [ ] ARE IN METRIC UNITS.



PART NUMBER		P110B100-X	
TITLE			
PAN-PUNCH 110 PUNCH DOWN SYSTEM 100 PAIR BASE		WITHOUT LEGS	
CUSTOMER DRAWING			
ITEM REVISION NAME		B50000LH/07	
DATASET FILE NAME		B50000LH_DC/07B	
UNLESS OTHERWISE SPECIFIED, DIMENSIONAL TOLERANCES ARE: IN [mm]		MATERIAL:	
.x $\pm$		.xxx $\pm$ .010 [ .3 ]	
.xx $\pm$ .03 [ .8 ]		ANGLES $\pm$	
THIRD ANGLE PROJECTION		DRAWING NUMBER:	
DRAWN BY		KA-10492	
DATE		SHT 1 OF 1	
2-5-97		A	
CHK		SCALE	
CAF		NONE	

REV	DATE	BY	CHK	APR	DESCRIPTION	ECN
1	5/20/14	JSP	REFR	MMR	A. REVISED DRAWING TITLE BLOCK.	KA-10492
R	2-5-97	BAP	CAF	CAF	RELEASED TO PRODUCTION	KA-10492

D10100DA/14