



Chipsmall Limited consists of a professional team with an average of over 10 year of expertise in the distribution of electronic components. Based in Hongkong, we have already established firm and mutual-benefit business relationships with customers from,Europe,America and south Asia,supplying obsolete and hard-to-find components to meet their specific needs.

With the principle of “Quality Parts,Customers Priority,Honest Operation,and Considerate Service”,our business mainly focus on the distribution of electronic components. Line cards we deal with include Microchip,ALPS,ROHM,Xilinx,Pulse,ON,Everlight and Freescale. Main products comprise IC,Modules,Potentiometer,IC Socket,Relay,Connector.Our parts cover such applications as commercial,industrial, and automotives areas.

We are looking forward to setting up business relationship with you and hope to provide you with the best service and solution. Let us make a better world for our industry!



Contact us

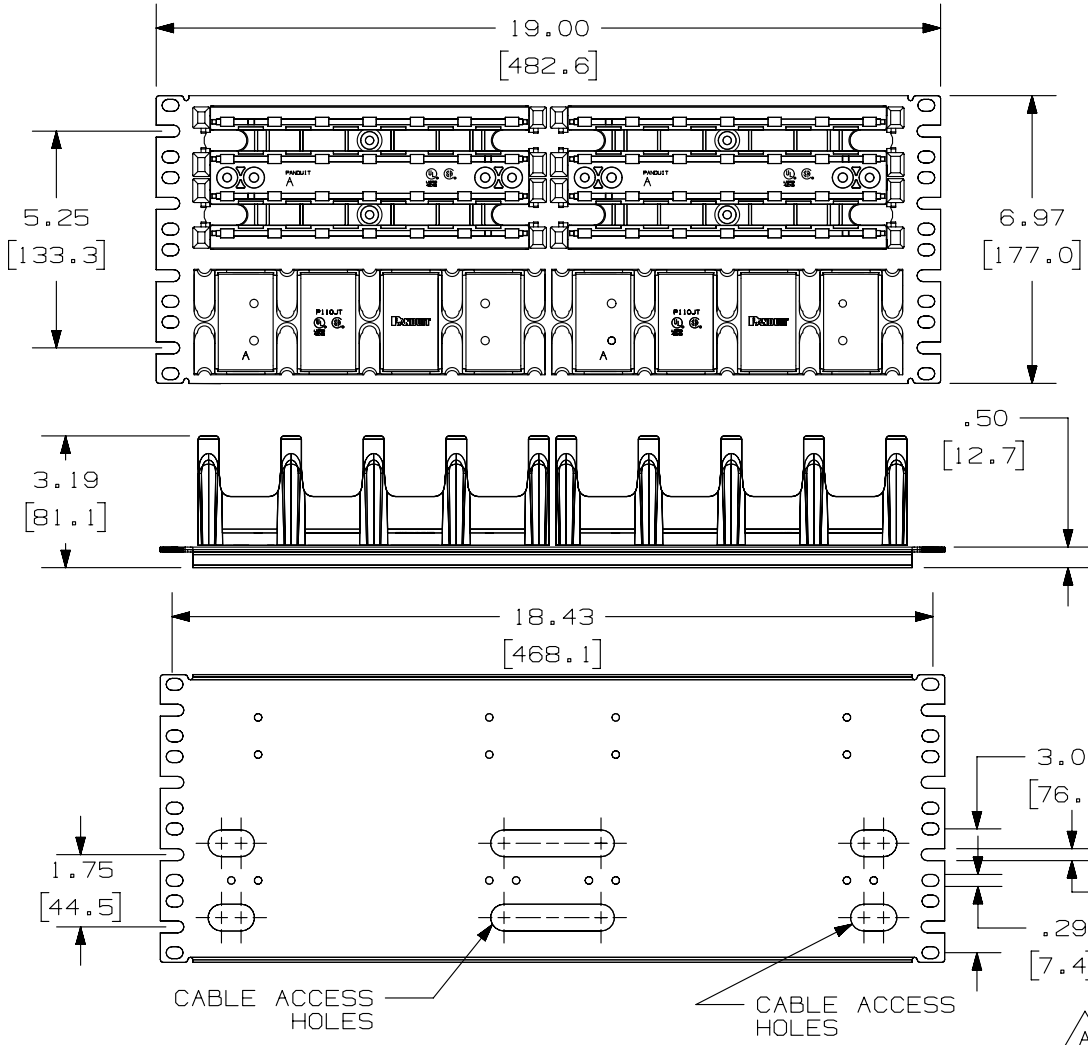
Tel: +86-755-8981 8866 Fax: +86-755-8427 6832

Email & Skype: info@chipsmall.com Web: www.chipsmall.com

Address: A1208, Overseas Decoration Building, #122 Zhenhua RD., Futian, Shenzhen, China



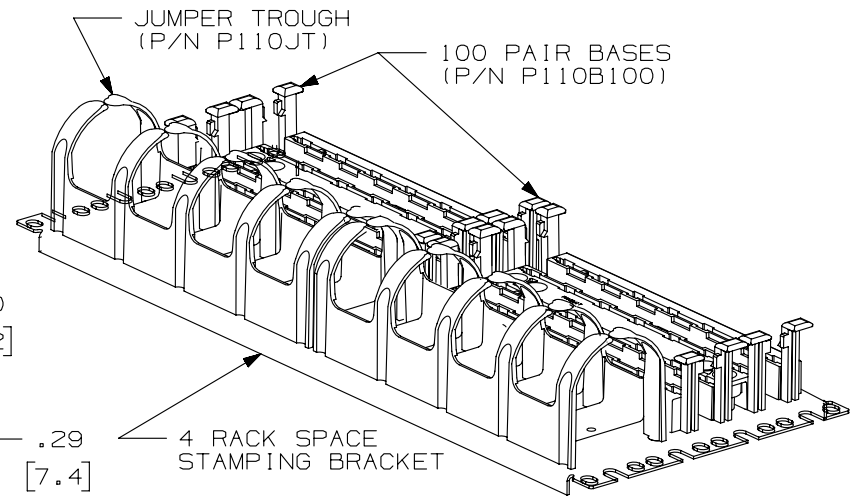
THIS COPY IS PROVIDED ON A RESTRICTED BASIS AND IS NOT TO BE USED IN ANY WAY DETRIMENTAL TO THE INTERESTS OF PANDUIT CORP.



PANDUIT PART NO.	WEIGHT
P110B100R4WJY	3.93 LB/ea (1784.4 g/ea)

NOTES:

- SEE CURRENT CATALOG FOR ADDITIONAL PART NUMBER SUFFIXES TO INDICATE PACKAGE QUANTITY.
- STAMPING ASSEMBLY IS DESIGNED FOR RACK MOUNT APPLICATIONS.
- 110 BASES AND TROUGHS ARE PRE-ASSEMBLED TO BRACKET. (4) #12 MOUNTING SCREWS AND (4) METRIC M6x1x15MM SCREWS ARE ALSO PROVIDED.
- CONNECTING BLOCKS SOLD SEPARATELY.
- DIMENSIONS IN PARENTHESES ARE IN METRIC.



PART NUMBER		P110B100R4WJY	
TITLE			
4 RU CAT 5E PUNCHDOWN RACK MOUNT ASSEMBLY			
CUSTOMER DRAWING			
ITEM REVISION NAME		M02479ND/00	
DATASET FILE NAME		M02479ND_DC343/00B	
UNLESS OTHERWISE SPECIFIED, DIMENSIONAL TOLERANCES ARE: IN [mm]		MATERIAL:	
.x ± .xxx ± .010 [.3]		DRAWING NUMBER:	
.xx ± .03 [.8]		02479-343	
THIRD ANGLE PROJECTION		SHT 1 OF 1	
DRAWN BY	DATE	CHK	SCALE
NER	3-24-06	NER	NONE
REV	DATE	BY	CHK
1	5-27-14	MDJR	REFR
R	3-24-06	NER	WJC
APR	DESCRIPTION		ECN
	A. UPDATED TITLE BLOCK.		02479-343
	RELEASED TO PRODUCTION		02479-343

D10100DA/14