



Chipsmall Limited consists of a professional team with an average of over 10 year of expertise in the distribution of electronic components. Based in Hongkong, we have already established firm and mutual-benefit business relationships with customers from,Europe,America and south Asia,supplying obsolete and hard-to-find components to meet their specific needs.

With the principle of "Quality Parts,Customers Priority,Honest Operation,and Considerate Service",our business mainly focus on the distribution of electronic components. Line cards we deal with include Microchip,ALPS,ROHM,Xilinx,Pulse,ON,Everlight and Freescale. Main products comprise IC,Modules,Potentiometer,IC Socket,Relay,Connector.Our parts cover such applications as commercial,industrial, and automotives areas.

We are looking forward to setting up business relationship with you and hope to provide you with the best service and solution. Let us make a better world for our industry!



Contact us

Tel: +86-755-8981 8866 Fax: +86-755-8427 6832

Email & Skype: info@chipsmall.com Web: www.chipsmall.com

Address: A1208, Overseas Decoration Building, #122 Zhenhua RD., Futian, Shenzhen, China

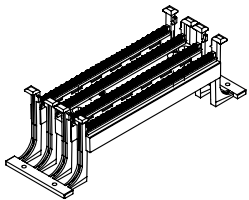


THIS COPY IS PROVIDED ON A RESTRICTED BASIS AND IS NOT TO BE USED IN ANY WAY DETRIMENTAL TO THE INTERESTS OF PANDUIT CORP.

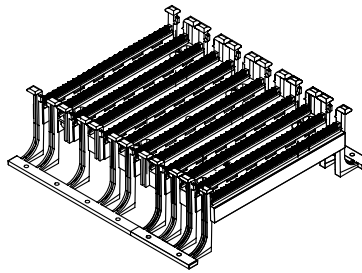
PART NO.	COMPONENT QUANTITY PER FIELD TERMINATED KITS (SEE NOTE 3)						WEIGHT LBS
	BASES		CONNECTING BLOCKS		LABEL HOLDERS	LABELS	
	P110BW100	P110BW300	P110CB4	P110CB5	P110LH	DSL110	
P110KB1004Y	1	-	20	4	2	2	.9
P110KB1005Y	1	-	-	20	2	2	.9
P110KB3004Y	-	1	60	12	6	6	2.3
P110KB3005Y	-	1	-	60	6	6	2.3

NOTES:

- IT IS COMMON PRACTICE TO COMPLETELY FILL EACH 25-PAIR WIRE STRIP WITH CONNECTING BLOCKS. EACH KIT CONTAINS THE ADEQUATE NUMBER OF CONNECTING BLOCKS TO DO SO. EXAMPLE: P110KB1004 INCLUDES FIVE 4-PAIR AND ONE 5-PAIR CONNECTING BLOCKS PER 25-PAIR WIRE STRIP FOR A TOTAL OF TWENTY 4-PAIR AND FOUR 5-PAIR CONNECTING BLOCKS, AS WELL AS TWO LABEL HOLDERS AND TWO WHITE DESIGNATION LABELS.
- WIRE SEPARATOR MARKED ACCORDING TO 25-PAIR TIP COLOR SCHEME.
- REFERENCE INDIVIDUAL CUSTOMER DRAWINGS FOR COMPONENT DETAILS.



LOCATED ON SHEET 2



LOCATED ON SHEET 3

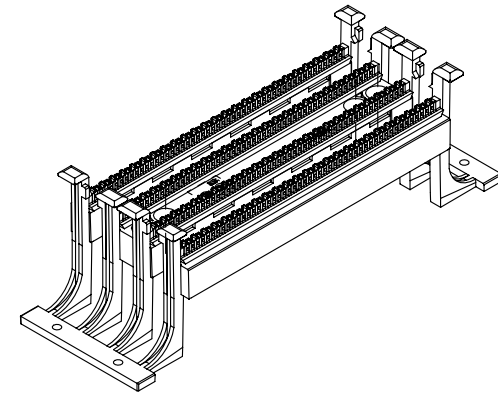
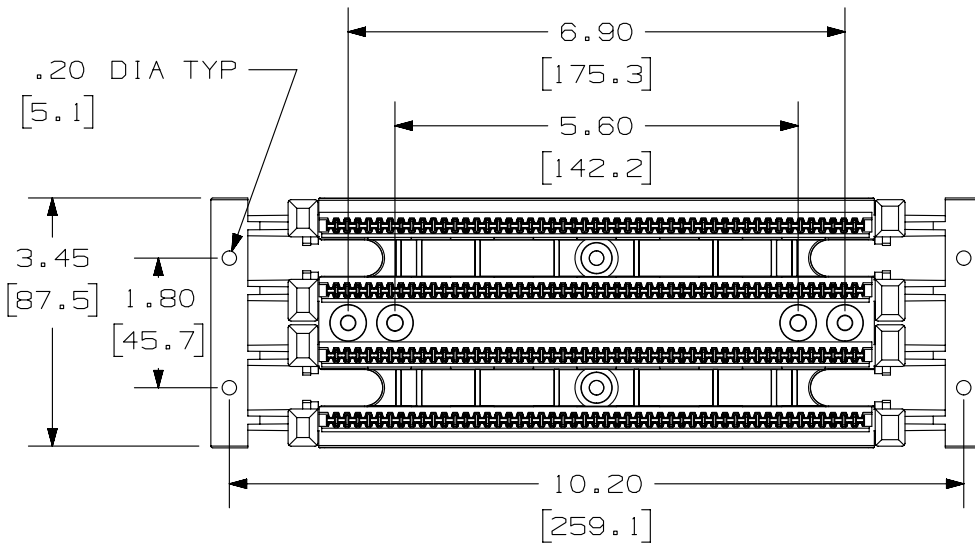


PART NUMBER		P110KB*00*Y	
TITLE			
FIELD TERMINATED 110 SYSTEM KITS WITH 4/5 PAIR		CONNECTING BLOCK	
CUSTOMER DRAWING			
ITEM REVISION NAME		M02479MH/00	
DATASET FILE NAME		M02479MH_DC321/00C	
UNLESS OTHERWISE SPECIFIED, DIMENSIONAL TOLERANCES ARE: IN [mm]		MATERIAL:	
.x ±	.xxx ± .010 [.3]		
.xx ± .03 [.8]	ANGLES ±		
DRAWING NUMBER:			
02479-321		02479-321	
DRAWN BY		DATE	CHK
NER	3-28-06	WJC	SCALE
DESCRIPTION		ECN	SIZE
NONE		3-28-06	A
SHT 1 OF 3		THIRD ANGLE PROJECTION	

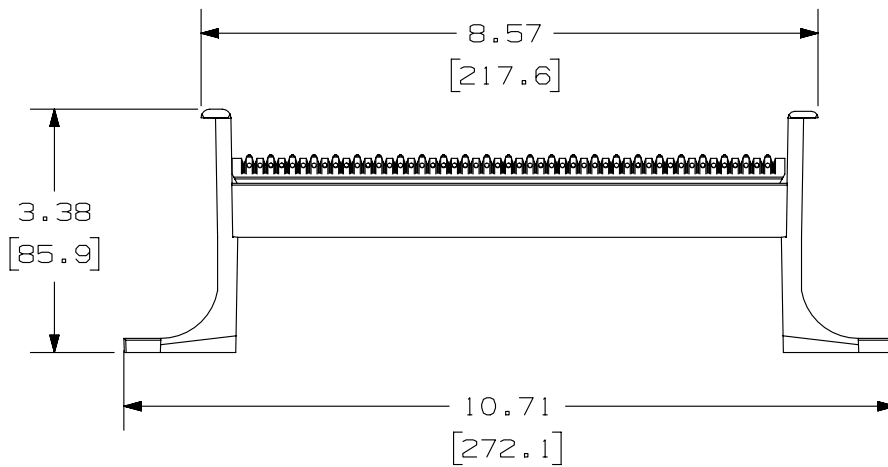
REV	DATE	BY	CHK	APR	DESCRIPTION	ECN
2	5-28-14	MDJR	REFR	MMR	A. UPDATED TITLE BLOCK AND ADDED ISO VIEWS ON ALL SHEETS. PREVIOUS REVISIONS HAVE BEEN REMOVED FOR CLARITY.	02479-321

D101000DA/14

THIS COPY IS PROVIDED ON A RESTRICTED BASIS AND IS NOT TO BE USED IN ANY WAY DETRIMENTAL TO THE INTERESTS OF PANDUIT CORP.



100 PAIR BASE SHOWN



PART NUMBER		P110KB*00*Y	
TITLE			
FIELD TERMINATED 110 SYSTEM KITS WITH 4/5 PAIR		CONNECTING BLOCK	
CUSTOMER DRAWING			
ITEM REVISION NAME		M02479MH/00	
DATASET FILE NAME		M02479MH_DC321/00C	
UNLESS OTHERWISE SPECIFIED, DIMENSIONAL TOLERANCES ARE: IN [mm]		MATERIAL:	
.x ± .xx ± .03 [.8]		.xxx ± .010 [.3]	
ANGLES ±		DRAWING NUMBER:	
THIRD ANGLE PROJECTION		02479-321	
DRAWN BY	DATE	CHK	SCALE
NER	3-28-06	WJC	NONE
SHT 2 OF 3			SIZE
			A

2	5-28-14	MDJR	REFR	MMR	SEE SHEET 1 OF 3 FOR CHANGES.	02479-321
REV	DATE	BY	CHK	APR	DESCRIPTION	ECN

D10100DA/14

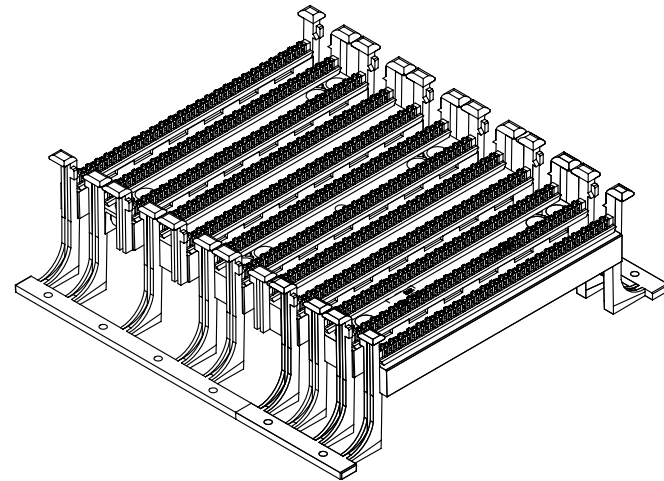
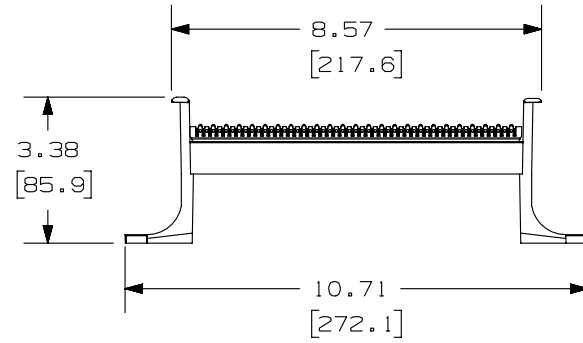
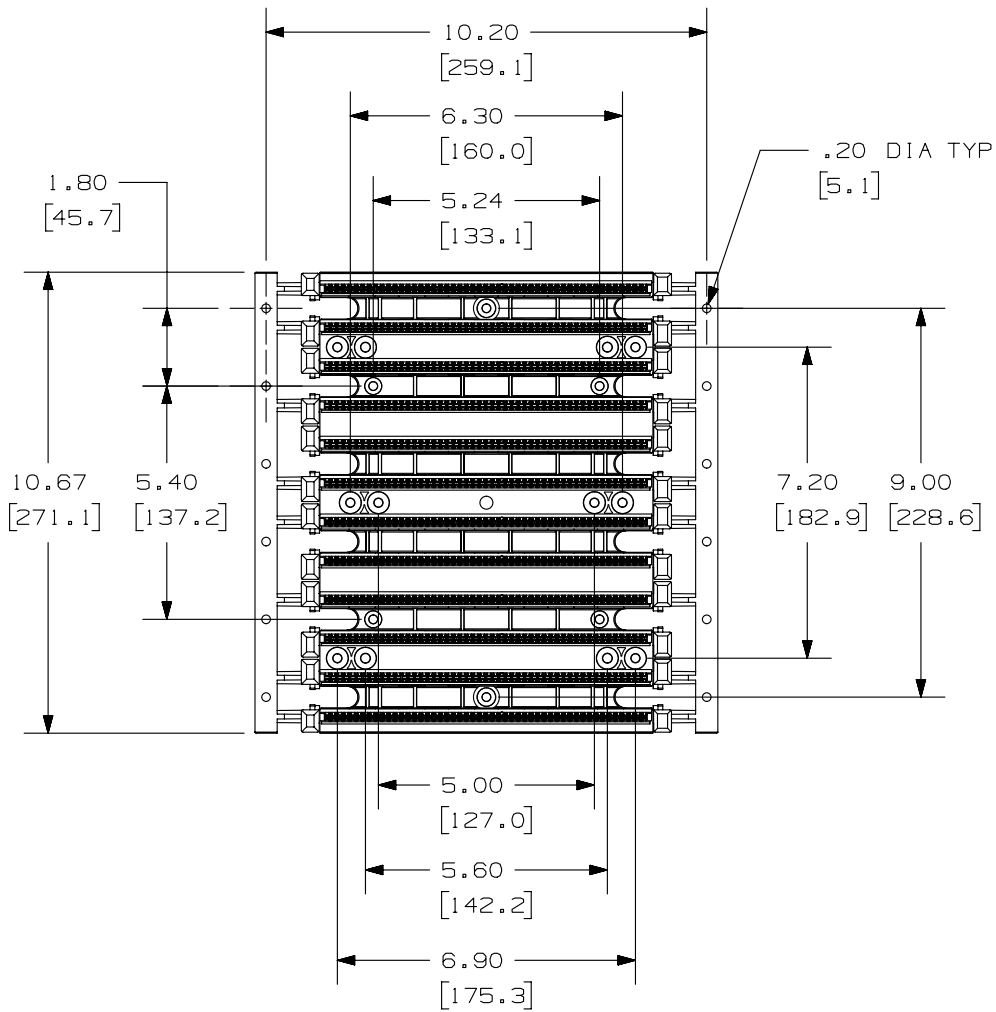
2

1

2

1

THIS COPY IS PROVIDED ON A RESTRICTED BASIS AND IS NOT TO BE USED IN ANY WAY DETRIMENTAL TO THE INTERESTS OF PANDUIT CORP.



300 PAIR BASE SHOWN

PART NUMBER		P110KB*00*Y	
TITLE			
FIELD TERMINATED 110 SYSTEM KITS WITH 4/5 PAIR CONNECTING BLOCK			
CUSTOMER DRAWING			
ITEM REVISION NAME		M02479MH/00	
DATASET FILE NAME		M02479MH_DC321/00C	
UNLESS OTHERWISE SPECIFIED, DIMENSIONAL TOLERANCES ARE: IN [mm]		MATERIAL:	
.x ± .xxx ± .010 [.3]		DRAWING NUMBER:	
.xx ± .03 [.8] ANGLES ±		02479-321	
THIRD ANGLE PROJECTION		SHT 3 OF 3	
DRAWN BY	DATE	CHK	SCALE
NER	3-28-06	WJC	NONE
REV	DATE	BY	CHK
2	5-28-14	MDJR	REFR
APR	MMR	SEE SHEET 1 OF 3 FOR CHANGES.	
DESCRIPTION			ECN
			02479-321

D10100DA/14