



Chipsmall Limited consists of a professional team with an average of over 10 year of expertise in the distribution of electronic components. Based in Hongkong, we have already established firm and mutual-benefit business relationships with customers from,Europe,America and south Asia,supplying obsolete and hard-to-find components to meet their specific needs.

With the principle of “Quality Parts,Customers Priority,Honest Operation,and Considerate Service”,our business mainly focus on the distribution of electronic components. Line cards we deal with include Microchip,ALPS,ROHM,Xilinx,Pulse,ON,Everlight and Freescale. Main products comprise IC,Modules,Potentiometer,IC Socket,Relay,Connector.Our parts cover such applications as commercial,industrial, and automotives areas.

We are looking forward to setting up business relationship with you and hope to provide you with the best service and solution. Let us make a better world for our industry!



Contact us

Tel: +86-755-8981 8866 Fax: +86-755-8427 6832

Email & Skype: info@chipsmall.com Web: www.chipsmall.com

Address: A1208, Overseas Decoration Building, #122 Zhenhua RD., Futian, Shenzhen, China



Customer Information Sheet

DRAWING No.: P13-XX23

SHEET 2 OF 2

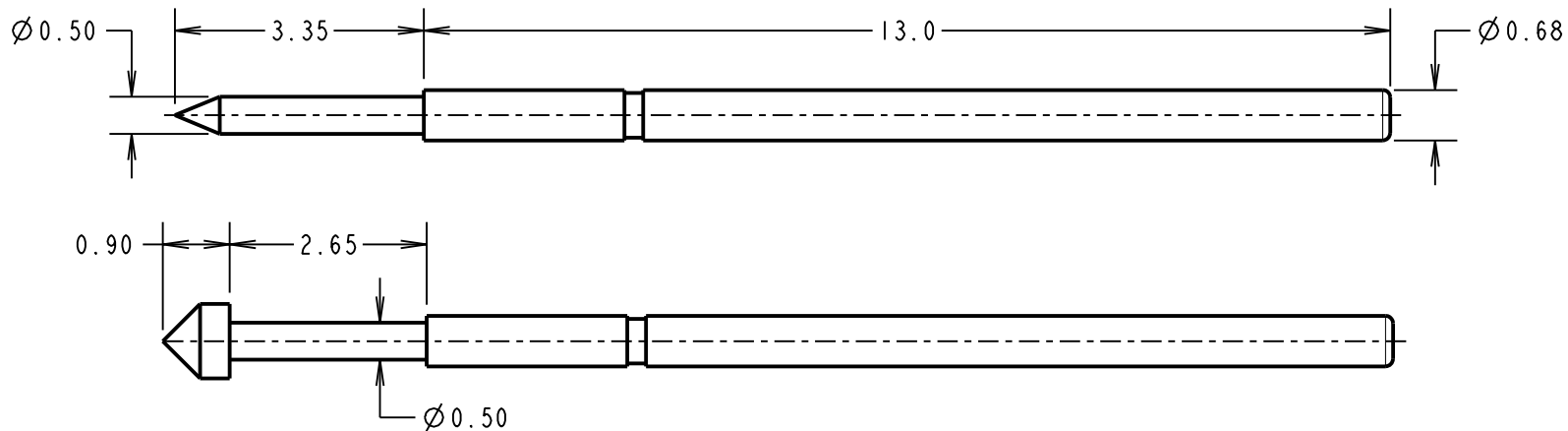
IF IN DOUBT - ASK

©

NOT TO SCALE

THIRD ANGLE PROJECTION

ALL DIMENSIONS IN mm

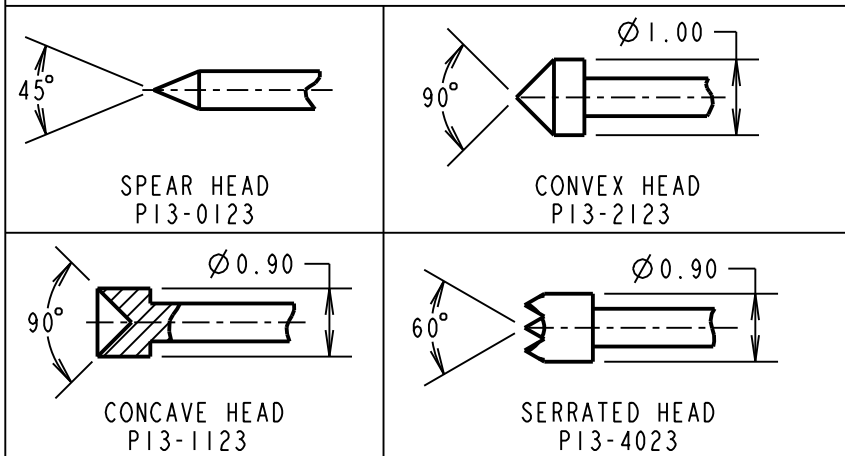


ORDER CODE
P13-XX23
PROBE HEAD
VARIANT (SEE TABLE)

NOTES:

1. TO BE USED WITH SLEEVE S13-503.
2. SUITABLE FOR A MINIMUM DISTANCE BETWEEN CENTRES OF 1.27mm.

PROBE HEAD VARIANTS



SPECIFICATIONS:

MATERIAL:

PLUNGER = BERYLLIUM COPPER
BARREL = PHOSPHOR BRONZE
SPRING = MUSIC WIRE

FINISH:

PLUNGER, BARREL AND SPRING = GOLD

ELECTRICAL:

CURRENT RATING = 3A
CONTACT RESISTANCE = 30mΩ

MECHANICAL:

DURABILITY = 1,000,000 CYCLES
FULL TRAVEL = 2.65mm
SPRING FORCES:

AT FULL TRAVEL = 1.18N ± 0.24N (120G ± 20%)
AT 2/3 TRAVEL = 0.88N ± 0.18N (90g ± 20%)

ENVIRONMENTAL:

OPERATING TEMPERATURE = -40°C TO +85°C

SB	6	07.10.14	12618
NAME	ISS.	DATE	C/NOTE
APPROVED: S.BENNETT			
CHECKED: M.PLESTED			
DRAWN: W.J.BOURNE			
CUSTOMER REF.:			
ASSEMBLY DRG:			

HARWIN

www.harwin.com
technical@harwin.com

THIS DRAWING AND ANY INFORMATION OR DESCRIPTIVE MATTER SET OUT HEREON ARE CONFIDENTIAL AND COPYRIGHT PROPERTY OF THE HARWIN GROUP AND MUST NOT BE DISCLOSED, LOANED, COPIED OR USED FOR MANUFACTURING, TENDERING OR FOR ANY OTHER PURPOSE WITHOUT THEIR WRITTEN PERMISSION.

TOLERANCES

X. = ±1mm
X.X = ±0.25mm
X.XX = ±0.10mm
X.XXX = ±0.01mm

ANGLES = ±5°
UNLESS STATED

MATERIAL:

SEE ABOVE

FINISH: SEE ABOVE

S/AREA: mm²

TITLE:

1.27mm MIN. CENTRE
TWO-PIECE SPRING PROBE

DRAWING NUMBER:

P13-XX23

SHT
2 OF 2