



Chipsmall Limited consists of a professional team with an average of over 10 year of expertise in the distribution of electronic components. Based in Hongkong, we have already established firm and mutual-benefit business relationships with customers from,Europe,America and south Asia,supplying obsolete and hard-to-find components to meet their specific needs.

With the principle of “Quality Parts,Customers Priority,Honest Operation,and Considerate Service”,our business mainly focus on the distribution of electronic components. Line cards we deal with include Microchip,ALPS,ROHM,Xilinx,Pulse,ON,Everlight and Freescale. Main products comprise IC,Modules,Potentiometer,IC Socket,Relay,Connector.Our parts cover such applications as commercial,industrial, and automotives areas.

We are looking forward to setting up business relationship with you and hope to provide you with the best service and solution. Let us make a better world for our industry!



Contact us

Tel: +86-755-8981 8866 Fax: +86-755-8427 6832

Email & Skype: info@chipsmall.com Web: www.chipsmall.com

Address: A1208, Overseas Decoration Building, #122 Zhenhua RD., Futian, Shenzhen, China



Rotary Potentiometer

P140 Series



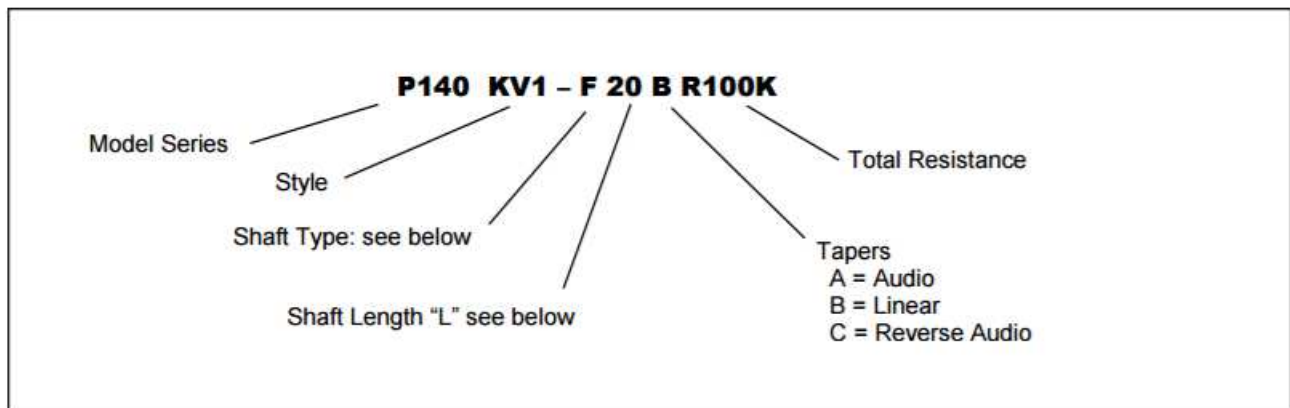
Features:

- 14 mm
- Conductive plastic element
- Dual unit
- With/without bushing
- Insulated shaft
- RoHS compliant



Model Styles

Side Adjust, without Bushing	P140KV
Side Adjust, with Bushing	P140KV1
Top Adjust, without Bushing	P140KH
Top Adjust, with Bushing	P140KH1



General Note

TT Electronics reserves the right to make changes in product specification without notice or liability. All information is subject to TT Electronics' own data and is considered accurate at time of going to print.

TT Electronics | BI Technologies
4200 Bonita Place, Fullerton, CA 92835-1053 | Ph: +1 714 447 2300
www.ttelectronics.com | sensors@ttelectronics.com

Rotary Potentiometer

P140 Series



Electrical Specifications

Resistance Range, Ohms	500-2M (for "B" taper) 1K-2M (for other tapers)
Standard Resistance Tolerance	± 20%
Residual Resistance	20 ohms max.
Input Voltage, maximum	50 Vac max.
Power rating, Watts	0.05w
Dielectric Strength	500Vac, 1 minute
Insulation Resistance, Minimum	100M ohms at 250Vdc
Sliding Noise	100mV max.
Gang Error (Multi-ganged)	-40dB – 0dB, ±3dB
Actual Electrical Travel, Nominal	260°

Mechanical Specifications

Total Mechanical Travel	300°± 10°
Static Stop Strength	70 oz-in
Rotational Torque	0.5 to 1.25 oz-in

Environmental Specifications

Operating Temperature Range	-20°C to +70°C
Rotational Life	30,000 cycles

General Note

TT Electronics reserves the right to make changes in product specification without notice or liability. All information is subject to TT Electronics' own data and is considered accurate at time of going to print.

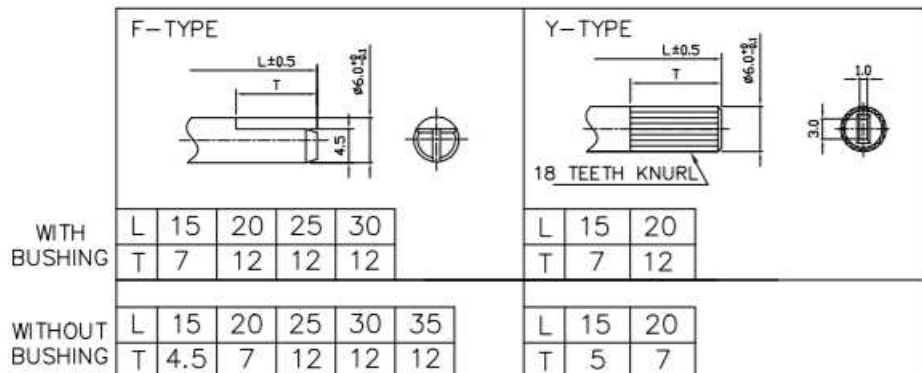
TT Electronics | BI Technologies
4200 Bonita Place, Fullerton, CA 92835-1053 | Ph: +1 714 447 2300
www.ttelectronics.com | sensors@ttelectronics.com

Rotary Potentiometer

P140 Series



Shaft Types



Standard Resistance Values, Ohms

500 1K 2K 5K 10K 20K 50K 100K 200K 500K 1MEG

General Note

TT Electronics reserves the right to make changes in product specification without notice or liability. All information is subject to TT Electronics' own data and is considered accurate at time of going to print.

TT Electronics | BI Technologies
 4200 Bonita Place, Fullerton, CA 92835-1053 | Ph: +1 714 447 2300
 www.ttelectronics.com | sensors@ttelectronics.com

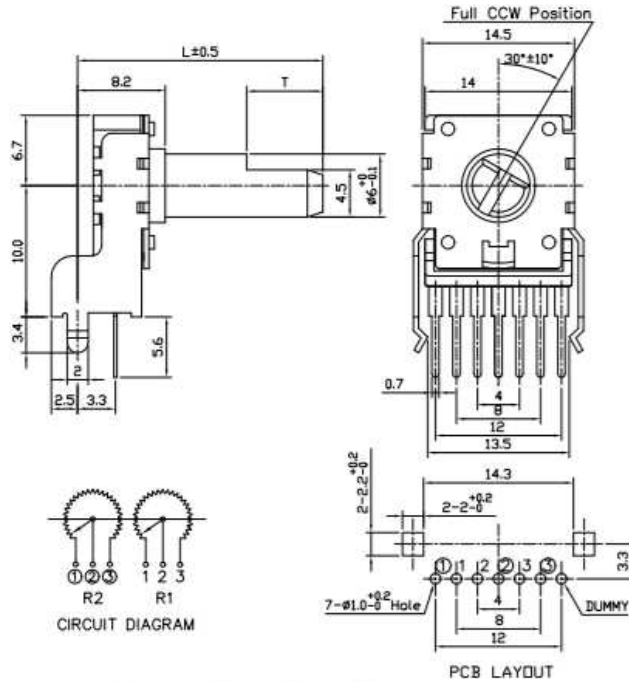
Rotary Potentiometer

P140 Series

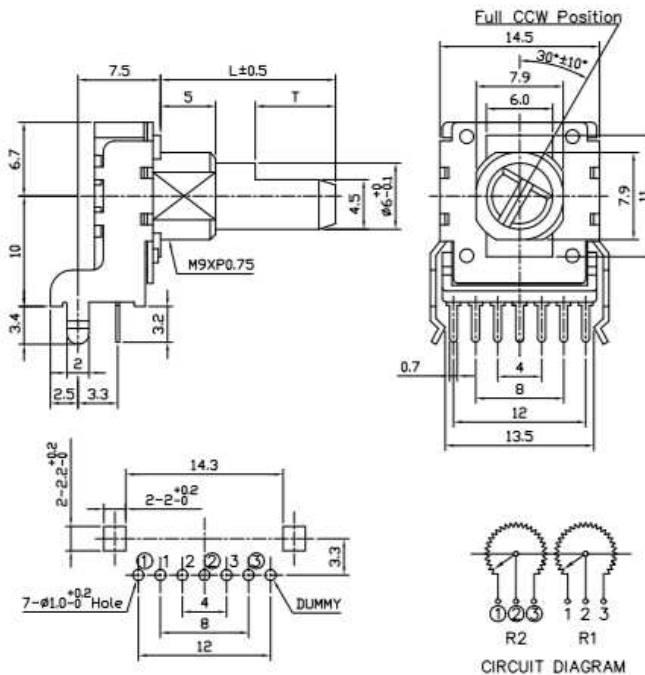


Outline Drawings

Model P140KV (Side Adjust, without Bushing)



Model P140KV1 (Side Adjust, with Bushing)



General Note

TT Electronics reserves the right to make changes in product specification without notice or liability. All information is subject to TT Electronics' own data and is considered accurate at time of going to print.

TT Electronics | BI Technologies
 4200 Bonita Place, Fullerton, CA 92835-1053 | Ph: +1 714 447 2300
 www.ttelectronics.com | sensors@ttelectronics.com

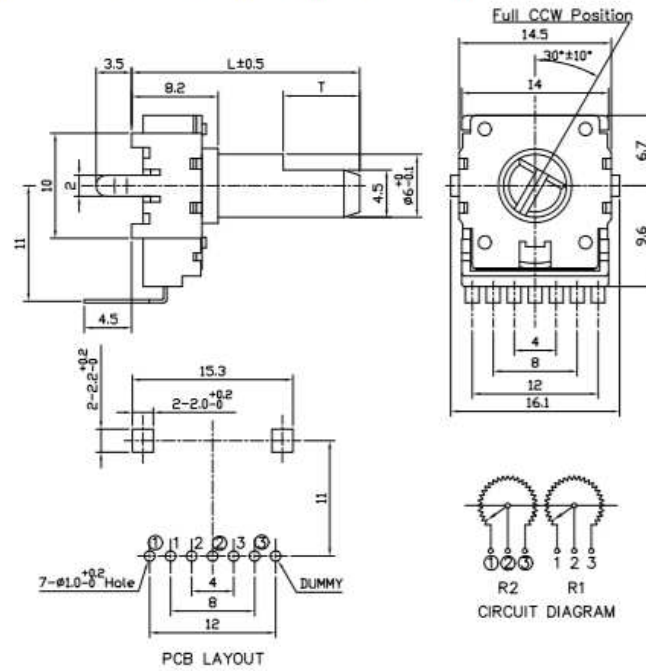
Rotary Potentiometer

P140 Series

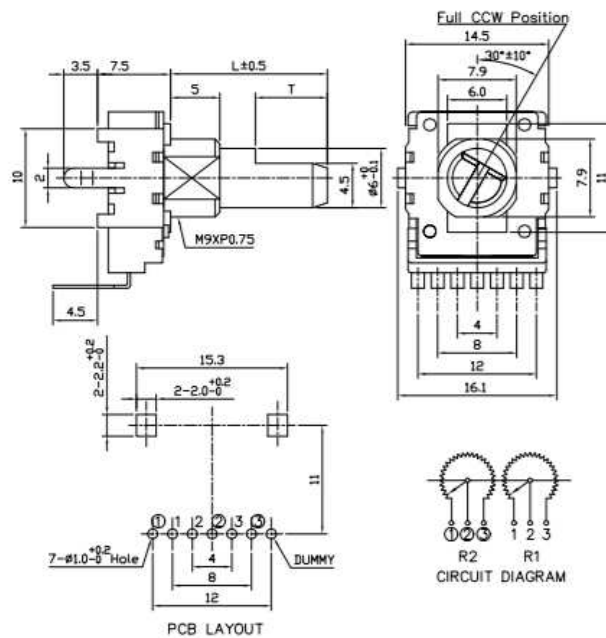


Outline Drawings

Model P140KH (Top Adjust, without Bushing)



Model P140KH1 (Top Adjust, with Bushing)



General Note

TT Electronics reserves the right to make changes in product specification without notice or liability. All information is subject to TT Electronics' own data and is considered accurate at time of going to print.

TT Electronics | BI Technologies
4200 Bonita Place, Fullerton, CA 92835-1053 | Ph: +1 714 447 2300
www.ttelectronics.com | sensors@ttelectronics.com

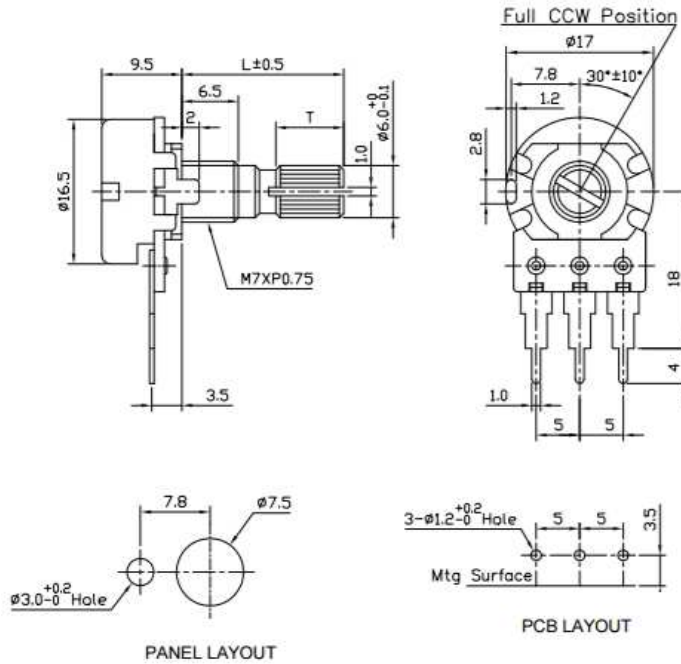
Rotary Potentiometer

P140 Series

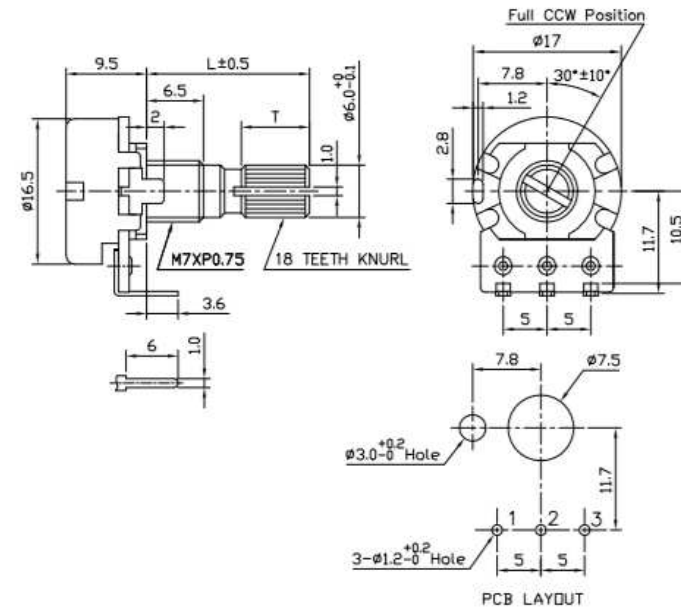


Outline Drawings

Model P160KN2 (Side Adjust , PC Pins, Long pins)



Model P160KNPD (Rear Adjust , PC Pins)



General Note

TT Electronics reserves the right to make changes in product specification without notice or liability. All information is subject to TT Electronics' own data and is considered accurate at time of going to print.

TT Electronics | BI Technologies
4200 Bonita Place, Fullerton, CA 92835-1053 | Ph: +1 714 447 2300
www.ttelectronics.com | sensors@ttelectronics.com