



Chipsmall Limited consists of a professional team with an average of over 10 year of expertise in the distribution of electronic components. Based in Hongkong, we have already established firm and mutual-benefit business relationships with customers from,Europe,America and south Asia,supplying obsolete and hard-to-find components to meet their specific needs.

With the principle of “Quality Parts,Customers Priority,Honest Operation,and Considerate Service”,our business mainly focus on the distribution of electronic components. Line cards we deal with include Microchip,ALPS,ROHM,Xilinx,Pulse,ON,Everlight and Freescale. Main products comprise IC,Modules,Potentiometer,IC Socket,Relay,Connector.Our parts cover such applications as commercial,industrial, and automotives areas.

We are looking forward to setting up business relationship with you and hope to provide you with the best service and solution. Let us make a better world for our industry!



Contact us

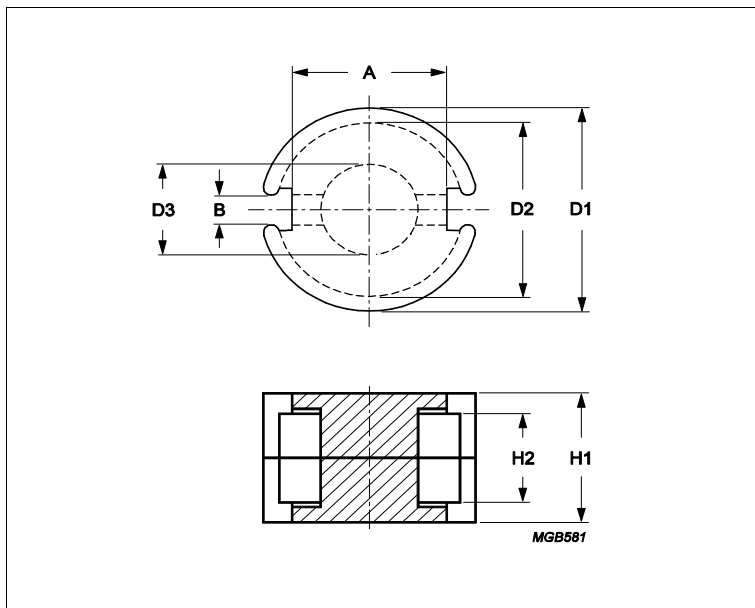
Tel: +86-755-8981 8866 Fax: +86-755-8427 6832

Email & Skype: info@chipsmall.com Web: www.chipsmall.com

Address: A1208, Overseas Decoration Building, #122 Zhenhua RD., Futian, Shenzhen, China



Core **P18/11/I**



Effective parameters			
	Parameter	Value	Unit
$\Sigma(I/A)$	core factor (C1)	0.56	mm ⁻¹
Ve	effective volume	1270	mm ³
Le	effective length	26.7	mm
Ae	effective area	47.5	mm ²
Amin	minimum area	37.5	mm ²
m	P18/11/I	≈ 7	g/set

Dimensions for product: P18/11/I						
	Nom	Tol +	Tol -	Max	Min	Unit
A	13.40	0.30	0.30	13.70	13.10	mm
B	3.80	0.60	0.60	4.40	3.20	mm
D1	17.90	0.30	0.30	18.20	17.60	mm
D2	15.10	0.25	0.25	15.35	14.85	mm
D3	7.40	0.15	0.15	7.55	7.25	mm
H1	10.60	0.15	0.15	10.75	10.45	mm
H2	7.20	0.40	0.00	7.60	7.20	mm

Inductance factor					
Material	Value	Tol +	Tol -	Unit	
3C91	4200	25%	25%	nH/turns ²	
3C95	4200	25%	25%	nH/turns ²	
3F36	2300	25%	25%	nH/turns ²	
3F46	1500	25%	25%	nH/turns ²	

Power loss: 3C91					
Measuring conditions			Max	Unit	
100 kHz	200 mT	60 °C	0.640	W/set	
Power loss: 3C95					
Measuring conditions			Max	Unit	
100 kHz	200 mT	100 °C	0.610	W/set	
100 kHz	200 mT	25 °C	0.660	W/set	
Power loss: 3F36					
Measuring conditions			Max	Unit	

Core **P18/11/I**

Power loss: 3F36

Measuring conditions			Max	Unit
500 kHz	50 mT	100 °C	0.190	W/set
500 kHz	100 mT	100 °C	1.500	W/set

Power loss: 3F46

Measuring conditions			Max	Unit
1000 kHz	50 mT	100 °C	0.510	W/set
3000 kHz	10 mT	100 °C	0.230	W/set

Bsat

Measuring conditions			Material	Min	Unit
25 kHz	250 A/m	100 °C	3C91	320	mT
25 kHz	250 A/m	100 °C	3C95	330	mT
25 kHz	250 A/m	100 °C	3F36	340	mT
25 kHz	250 A/m	100 °C	3F46	330	mT

Accessories

Ordering name	Description	Ordering code
CP-P18/11-1S	Coil former, termoplastic	432202102381
CP-P18/11-1S-A	Coil former, termoplastic	433500026071
CP-P18/11-2S	Coil former, termoplastic	432202102391
CP-P18/11-3S	Coil former, termoplastic	432202102401
CP-P18/11-3S-A	Coil former, termoplastic	433500026091
CPV-P18/11-1S-6PDL	Coil former, termoplastic, vertical	433506026441
CPV-P18/11-1S-6PD-Z	Coil former, termoplastic, vertical	433506026431
CPV-P18/11-2S-6PD-Z	Coil former, termoplastic, vertical	433506026451
CPV-P18/11-3S-6PD-Z	Coil former, termoplastic, vertical	433506026471