



Chipsmall Limited consists of a professional team with an average of over 10 year of expertise in the distribution of electronic components. Based in Hongkong, we have already established firm and mutual-benefit business relationships with customers from,Europe,America and south Asia,supplying obsolete and hard-to-find components to meet their specific needs.

With the principle of "Quality Parts,Customers Priority,Honest Operation,and Considerate Service",our business mainly focus on the distribution of electronic components. Line cards we deal with include Microchip,ALPS,ROHM,Xilinx,Pulse,ON,Everlight and Freescale. Main products comprise IC,Modules,Potentiometer,IC Socket,Relay,Connector.Our parts cover such applications as commercial,industrial, and automotives areas.

We are looking forward to setting up business relationship with you and hope to provide you with the best service and solution. Let us make a better world for our industry!



Contact us

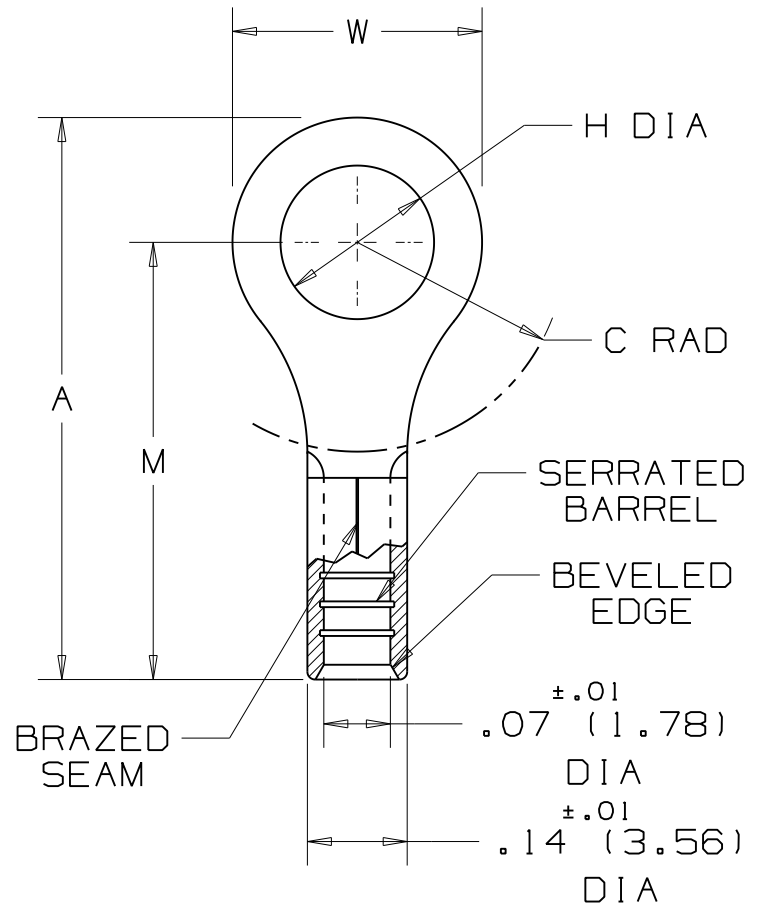
Tel: +86-755-8981 8866 Fax: +86-755-8427 6832

Email & Skype: info@chipsmall.com Web: www.chipsmall.com

Address: A1208, Overseas Decoration Building, #122 Zhenhua RD., Futian, Shenzhen, China



PANDUIT PART NUMBER	STUD SIZE	DIMENSIONS in.				
		A $\pm.03$	W $\pm.01$	C MIN	M $\pm.03$	H $\pm.01$
P18-4R	#4	.62 (15.8)	.25 (6.4)	.21 (5.3)	.50 (12.7)	.12 (3.1)
P18-6RN	#6	.60 (15.2)	.22 (5.6)	.19 (4.8)	.49 (12.5)	.15 (3.8)
P18-6R	#6	.62 (15.8)	.25 (6.4)	.21 (5.3)	.50 (12.7)	.15 (3.8)
P18-8R	#8	.71 (18.0)	.31 (7.9)	.25 (6.4)	.55 (14.0)	.17 (4.3)
P18-10R	#10	.71 (18.0)	.31 (7.9)	.25 (6.4)	.55 (14.0)	.20 (5.1)
P18-14R	1/4"	.91 (23.1)	.46 (11.7)	.38 (9.7)	.68 (17.3)	.27 (6.9)
P18-56R	5/16"	.91 (23.1)	.46 (11.7)	.38 (9.7)	.68 (17.3)	.34 (8.6)
P18-38R	3/8"	1.00 (25.4)	.53 (13.5)	.43 (10.9)	.73 (18.5)	.40 (10.2)
P18-12R	1/2"	1.20 (30.5)	.72 (18.3)	.53 (13.5)	.84 (21.3)	.52 (13.2)



NOTES:

- UL LISTED AND CSA CERTIFIED FOR:
 - #22-16 AWG SOLID OR STRANDED COPPER WIRE
 - 302° F (150° C) MAX. TEMP. RATING
- MATERIAL:
 - STAMPING - .03" (.8) THK COPPER, TIN PLATED
- SEE www.panduit.com FOR PART NUMBER SUFFIX DESIGNATION FOR PACKAGE SIZE.
- DIMENSIONS IN BRACKETS ARE IN MILLIMETERS
- INSTALLATION TOOLS:
 - UL LISTED AND CSA CERTIFIED: CT-100, CT-100A, CT-200, CT-570, CT-600-A, CT-1570, CT-2500
 - PANDUIT APPROVED: CT-160, CT-260
- WIRE STRIP LENGTH: $9/32^{+1/32}_0$ (7.1 $^{+.8}_0$)



LISTED
587H
E52164



CERTIFIED
LR31212

REV	DATE	BY	DESCRIPTION	CUST	PM
07	8/11	SHOR	MODIFIED NOTE #3, ADDED INSTALLATION TOOLS, REMOVED QUANTITIES		
06	5/02	SRB	CHANGED (DIMS) TO 1 PL DECIMAL		
05	4/02	SRB	ADDED P18-12R		TRO

PANDUIT CORP.

TINLEY PARK, ILLINOIS

#22-18 BARREL NON-INSULATED
RING TONGUE

DRAWN BY DAW	CHK'D RLS	SCALE NONE	DRAWING NO. A41263
-----------------	--------------	---------------	-----------------------