



Chipsmall Limited consists of a professional team with an average of over 10 year of expertise in the distribution of electronic components. Based in Hongkong, we have already established firm and mutual-benefit business relationships with customers from,Europe,America and south Asia,supplying obsolete and hard-to-find components to meet their specific needs.

With the principle of “Quality Parts,Customers Priority,Honest Operation,and Considerate Service”,our business mainly focus on the distribution of electronic components. Line cards we deal with include Microchip,ALPS,ROHM,Xilinx,Pulse,ON,Everlight and Freescale. Main products comprise IC,Modules,Potentiometer,IC Socket,Relay,Connector.Our parts cover such applications as commercial,industrial, and automotives areas.

We are looking forward to setting up business relationship with you and hope to provide you with the best service and solution. Let us make a better world for our industry!



## Contact us

Tel: +86-755-8981 8866 Fax: +86-755-8427 6832

Email & Skype: info@chipsmall.com Web: www.chipsmall.com

Address: A1208, Overseas Decoration Building, #122 Zhenhua RD., Futian, Shenzhen, China

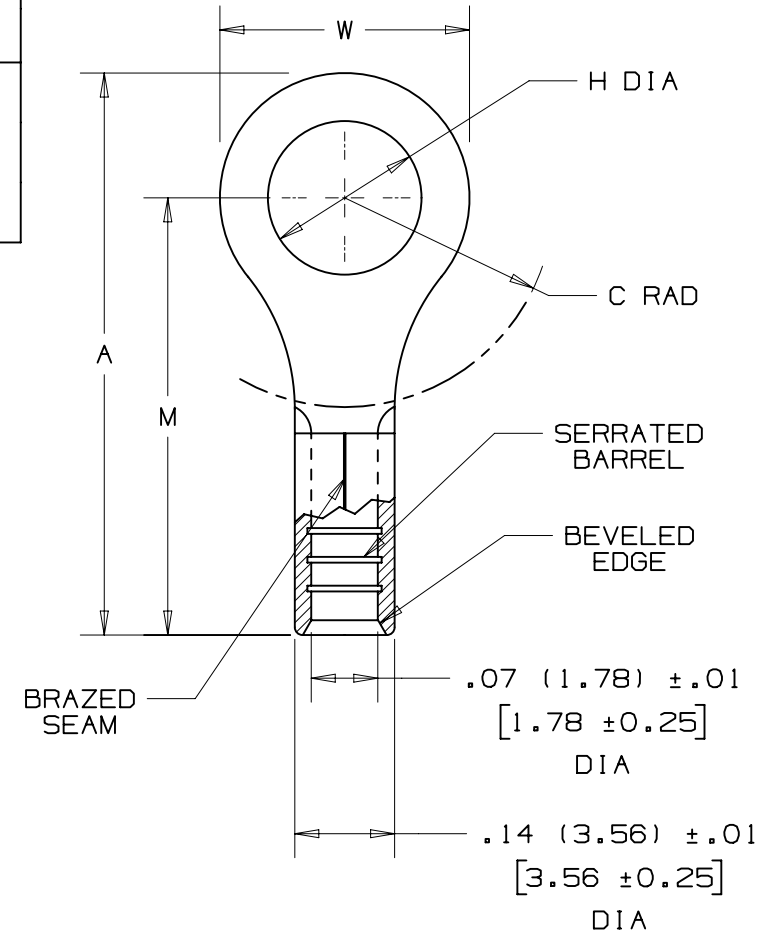


THIS COPY IS PROVIDED ON A RESTRICTED BASIS AND IS NOT TO BE USED IN ANY WAY DETRIMENTAL TO THE INTERESTS OF PANDUIT CORP.

PANDUIT PART NUMBER	STUD SIZE	DIMENSIONS - in.					TOOLS
		A ± .03 (15.75)	W ± .010 (6.35)	C ± MIN. (5.33)	M ± .03 (12.70)	H ± .010 (3.81)	
P18-6RHT6	#6	.62 (15.75)	.25 (6.35)	.21 (5.33)	.50 (12.70)	.15 (3.81)	CT-100A CT-160 CT-200 CT-260 CT-1570 CT-2500 (CT-2570CH)
P18-8RHT6	#8	.71 (18.03)	.31 (7.87)	.25 (6.35)	.55 (13.97)	.17 (4.32)	
P18-10RHT6	#10	.71 (18.03)	.31 (7.87)	.25 (6.35)	.55 (13.97)	.20 (5.08)	

**NOTES:**

- cULus LISTED FOR:  
 A. #22-18 AWG SOLID OR STRANDED COPPER WIRE  
 B. 650° F (343° C) MAX TEMP RATING
- SEE WWW.PANDUIT.COM FOR PACKAGE QUANTITIES
- MATERIAL:  
 A. STAMPING - .03" (.76) THK, COPPER NICKEL PLATED
- DIMENSIONS IN BRACKETS ARE IN MILLIMETERS
- WIRE STRIP LENGTH:  $9/32 + 1/32$  (7.1 + .8)  
 - 0 - 0



06	06/14	MBY	JHNU	RGB	ADDED cULus LOGO, REVISED NOTES, MOVED TOOLS TO TABLE, UPDATED BORDER	N41265BA-A41265			

TITLE <b>#22-18 BARREL NON-INSULATED RING TONGUE, HIGH TEMPERATURE, 650° F</b> CUSTOMER DRAWING			
ITEM REVISION NAME N41265BA/06		<b>PANDUIT</b>	
DATASET FILE NAME N41265BA/06			
UNLESS OTHERWISE SPECIFIED, DIMENSIONAL TOLERANCES ARE: IN [ mm ] .X ± .XXX ± .XX ± ANGLES ±			MATERIAL:  SEE NOTE 3
DRAWING NUMBER: <b>A41265</b>			
DRAWN BY DAW	DATE	CHK	SCALE NONE

REV	DATE	BY	CHK	APR	DESCRIPTION	ECN	DAW	DATE	CHK	SCALE	SHT 1 OF 1	SIZE A
-----	------	----	-----	-----	-------------	-----	-----	------	-----	-------	------------	-----------

D101000DA/16