



Chipsmall Limited consists of a professional team with an average of over 10 year of expertise in the distribution of electronic components. Based in Hongkong, we have already established firm and mutual-benefit business relationships with customers from,Europe,America and south Asia,supplying obsolete and hard-to-find components to meet their specific needs.

With the principle of “Quality Parts,Customers Priority,Honest Operation,and Considerate Service”,our business mainly focus on the distribution of electronic components. Line cards we deal with include Microchip,ALPS,ROHM,Xilinx,Pulse,ON,Everlight and Freescale. Main products comprise IC,Modules,Potentiometer,IC Socket,Relay,Connector.Our parts cover such applications as commercial,industrial, and automotives areas.

We are looking forward to setting up business relationship with you and hope to provide you with the best service and solution. Let us make a better world for our industry!



Contact us

Tel: +86-755-8981 8866 Fax: +86-755-8427 6832

Email & Skype: info@chipsmall.com Web: www.chipsmall.com

Address: A1208, Overseas Decoration Building, #122 Zhenhua RD., Futian, Shenzhen, China



Customer Information Sheet

DRAWING No.: P19-XX21

SHEET 2 OF 2

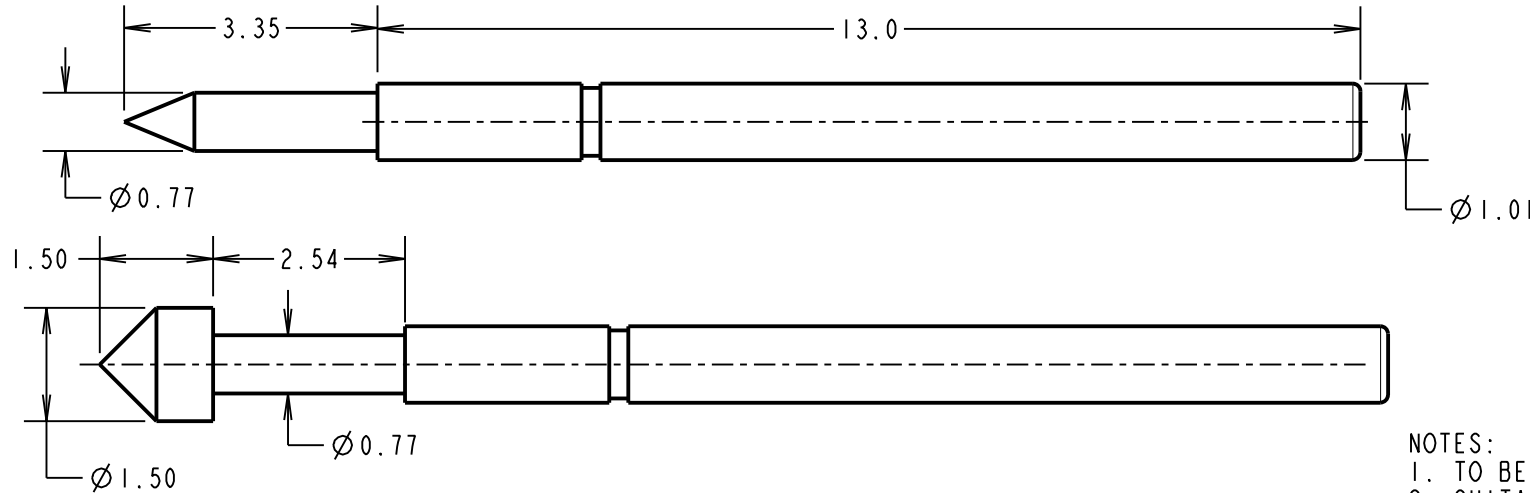
IF IN DOUBT - ASK

©

NOT TO SCALE

THIRD ANGLE PROJECTION

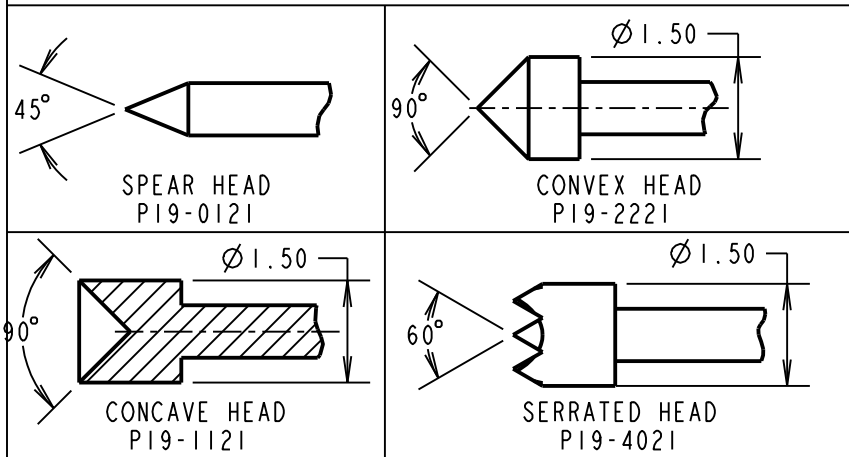
ALL DIMENSIONS IN mm



ORDER CODE:
P19-XX21
PROBE HEAD
VARIANT (SEE BELOW)

- NOTES:
1. TO BE USED WITH SLEEVE S19-501.
2. SUITABLE FOR A MINIMUM DISTANCE BETWEEN CENTRES OF 1.90mm.

PROBE HEAD VARIANTS



SPECIFICATIONS:

MATERIAL:

PLUNGER = HEAT TREATED BERYLLIUM COPPER

BARREL = PHOSPHOR BRONZE

SPRING = STAINLESS STEEL

FINISH:

PLUNGER AND BARREL = GOLD

ELECTRICAL:

CURRENT RATING = 3A

CONTACT RESISTANCE = 30 MILLIOHMS

MECHANICAL:

DURABILITY = 1,000,000 CYCLES

FULL TRAVEL = 2.54mm

SPRING FORCES:

AT FULL TRAVEL = 1.26N ± 0.25N (128g ± 20%)

AT 2/3 TRAVEL = 0.88N ± 0.18N (90g ± 20%)

ENVIRONMENTAL:

OPERATING TEMPERATURE = -40°C TO +85°C

SM	5	09.03.11	11173
NAME	ISS.	DATE	C/NOTE
APPROVED: S. MCCULLAGH			
CHECKED:		R. ADDE	
DRAWN:		W. J. BOURNE	
CUSTOMER REF.:			
ASSEMBLY DRG:			

HARWIN

THIS DRAWING AND ANY INFORMATION OR DESCRIPTIVE MATTER SET OUT HEREON ARE CONFIDENTIAL AND COPYRIGHT PROPERTY OF THE HARWIN GROUP AND MUST NOT BE DISCLOSED, LOANED, COPIED OR USED FOR MANUFACTURING, TENDERING OR FOR ANY OTHER PURPOSE WITHOUT THEIR WRITTEN PERMISSION.

TOLERANCES

X. = ±1mm
X.X = ±0.25mm
X.XX = ±0.10mm
X.XXX = ±0.01mm

ANGLES = ±5°

UNLESS STATED

MATERIAL:

SEE ABOVE

FINISH: SEE ABOVE

S/AREA: mm²

TITLE:

1.90mm MIN. CENTRE
TWO-PIECE SPRING PROBE

DRAWING NUMBER:

P19-XX21

SHT
2 OF 2

HARWIN USA
TEL: 603 893 5376
FAX: 603 893 5396
mis@harwin.com

HARWIN Europe (UK)
TEL: 023 9231 4545
FAX: 023 9231 4590
mis@harwin.co.uk

HARWIN Asia
TEL: +65 6 779 4909
FAX: +65 6 779 3868
mis@harwin.com.sg