



Chipsmall Limited consists of a professional team with an average of over 10 year of expertise in the distribution of electronic components. Based in Hongkong, we have already established firm and mutual-benefit business relationships with customers from,Europe,America and south Asia,supplying obsolete and hard-to-find components to meet their specific needs.

With the principle of “Quality Parts,Customers Priority,Honest Operation,and Considerate Service”,our business mainly focus on the distribution of electronic components. Line cards we deal with include Microchip,ALPS,ROHM,Xilinx,Pulse,ON,Everlight and Freescale. Main products comprise IC,Modules,Potentiometer,IC Socket,Relay,Connector.Our parts cover such applications as commercial,industrial, and automotives areas.

We are looking forward to setting up business relationship with you and hope to provide you with the best service and solution. Let us make a better world for our industry!



Contact us

Tel: +86-755-8981 8866 Fax: +86-755-8427 6832

Email & Skype: info@chipsmall.com Web: www.chipsmall.com

Address: A1208, Overseas Decoration Building, #122 Zhenhua RD., Futian, Shenzhen, China



SERIES P197 SWITCHES

POWER PUSHBUTTON SWITCHES



E-SWITCH®



FEATURES & BENEFITS

- ▶ Power pushbutton rated up to 10amps
- ▶ Latching & momentary functions
- ▶ Panel & PC board mount options

APPLICATIONS/MARKETS

- ▶ Telecommunications
- ▶ Networking
- ▶ Computers/servers
- ▶ Performance audio
- ▶ Instrumentation
- ▶ Low power on/off designs
- ▶ External hard drives and modems

SPECIFICATIONS

Contact Rating: 10A @ 125 VAC - UL, CUL
 5A @ 250 VAC - UL, CUL, VDE
 TV-5 @ 125 VAC - UL, CUL
 In Rush, 80A @ 250 VAC - VDE

Life Expectancy: 10,000 cycles

Contact Resistance: 100mΩ max. typical; initial @ 2-4 VDC

Insulation Resistance: 1,000M Ω min.

Dielectric Strength: > 1,500 volts 1 minute
 > 3,000 volts between poles

Actuation Force: 300 ±100 gram force

Operating Temperature: -20°C to +85°C

MATERIALS

Housing: 6/6 Nylon

Actuator: Acetal

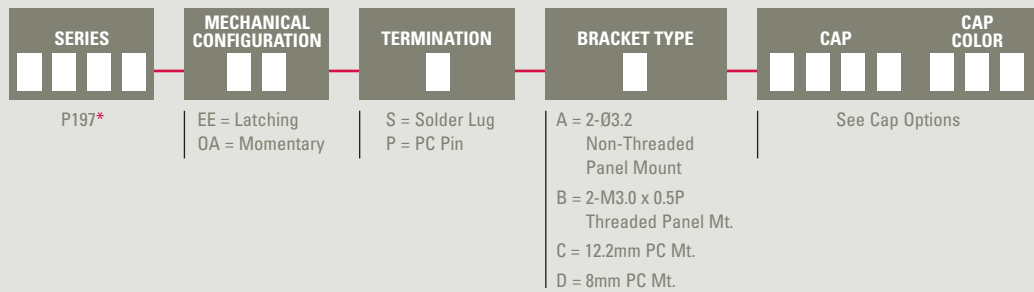
Bracket: Tin plated steel

Contacts: Silver plated copper alloy

Terminals: Silver plated copper alloy



HOW TO ORDER



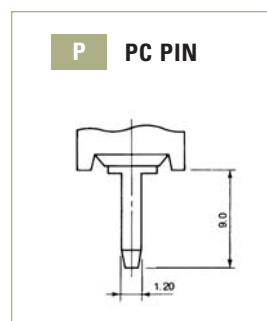
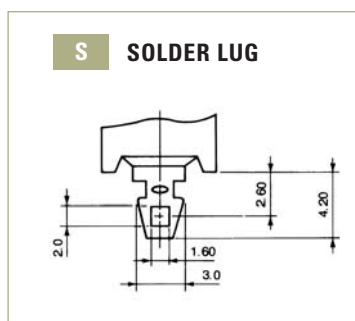
Example Ordering Number

P197-EE-P-B-TA12-BLU

*Note: Also available in 2 pole version P297.
 Contact E-Switch for more information.

Specifications subject to change without notice.

TERMINATION OPTIONS





SERIES P197 SWITCHES

POWER PUSHBUTTON SWITCHES

TACT SWITCHES

NAVIGATION SWITCHES

PUSHBUTTON SWITCHES

TOGGLE SWITCHES

ROCKER SWITCHES

SLIDE SWITCHES

SNAP-ACTION SWITCHES

DIP SWITCHES

KEYLOCK SWITCHES

ROTARY SWITCHES

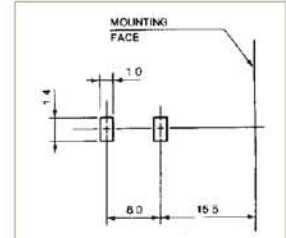
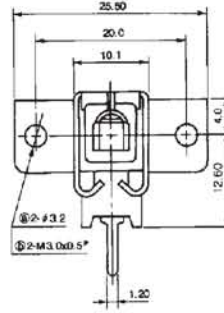
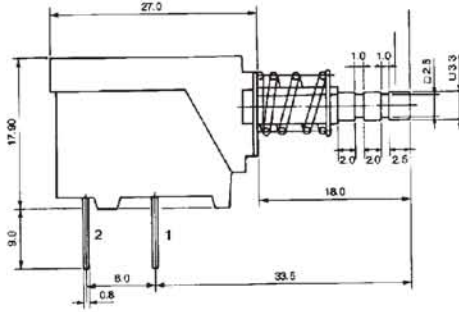
DETECTOR SWITCHES

CAP OPTIONS

BRACKET OPTIONS

A/B

A = 2 - Ø3.2 (Non-Threaded)
B = 2 - M3.0 x 0.5P (Threaded)



P.C. MOUNTING

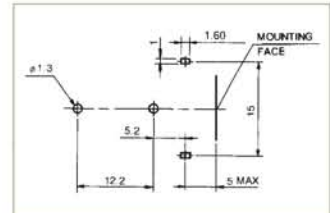
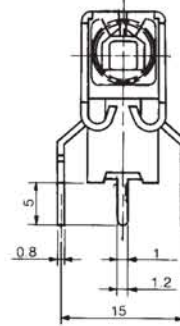
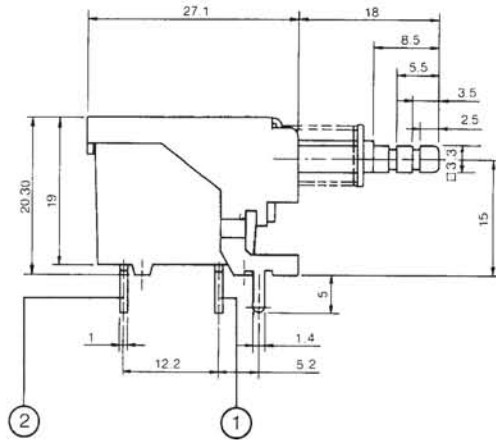


SCHEMATIC

BRACKET OPTIONS

C

C = 12.2 mm P.C. Pin Spacing (measured from terminal 2 to terminal 1)



P.C. MOUNTING

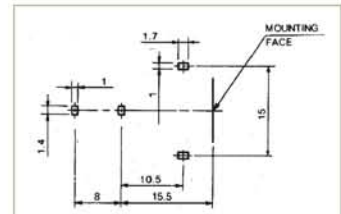
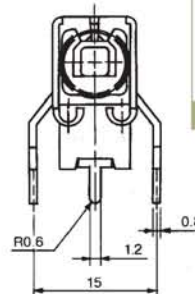
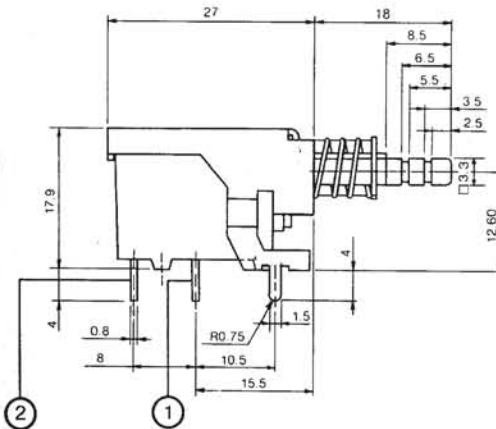


SCHEMATIC

BRACKET OPTIONS

D

D = 8 mm P.C. Pin Spacing (measured from terminal 2 to terminal 1)



P.C. MOUNTING



SCHEMATIC