



Chipsmall Limited consists of a professional team with an average of over 10 year of expertise in the distribution of electronic components. Based in Hongkong, we have already established firm and mutual-benefit business relationships with customers from,Europe,America and south Asia,supplying obsolete and hard-to-find components to meet their specific needs.

With the principle of “Quality Parts,Customers Priority,Honest Operation,and Considerate Service”,our business mainly focus on the distribution of electronic components. Line cards we deal with include Microchip,ALPS,ROHM,Xilinx,Pulse,ON,Everlight and Freescale. Main products comprise IC,Modules,Potentiometer,IC Socket,Relay,Connector.Our parts cover such applications as commercial,industrial, and automotives areas.

We are looking forward to setting up business relationship with you and hope to provide you with the best service and solution. Let us make a better world for our industry!



## Contact us

Tel: +86-755-8981 8866 Fax: +86-755-8427 6832

Email & Skype: info@chipsmall.com Web: www.chipsmall.com

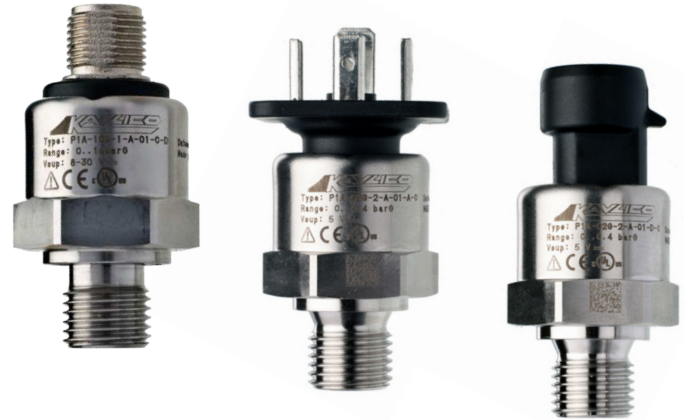
Address: A1208, Overseas Decoration Building, #122 Zhenhua RD., Futian, Shenzhen, China



# Data Sheet

## P1A

### Pressure Sensor



### Main Features

Pressure Ranges	0 to 0.25 up to 0 to 16 bar (gage) 0 to 1.6 up to 0 to 16 bar (absolute) -1 to 0 up to -1 to 0 bar (gage) *
Electrical Connection	Packard Electric Metri-Pack 150 Series *
Pressure Connection	G1/4A DIN 3852-E, 1/4 - 1/8 NPTF *
Housing Material	304 Stainless Steel (1.4301)
Connector Material	PBT (30% Glass Fibre)
Output Signal	4 - 20 mA, 0.5 - 4.5 VDC, 0 - 5 VDC, 0 - 10 VDC

\* for more options see How to Order

### Attributes

- Small Compact Size
- Highly Modular Product Configurations
- Kavlico Ceramic Capacitive Technology
- Outstanding Long Term Stability and Performance
- Vacuum to 16 Bar Gage and Absolute
- Media Resistant CCAP Technology

### Typical Applications

- Vacuum Machinery / Plant
- Medical and Laboratory Sterilizers / Autoclaves
- HVAC Systems
- Water Pump Booster Sets
- Pneumatic Systems
- Waste and Water Management
- Industrial OEM Applications

### Description

P1A family features a highly modular compact geometry. This modularity and extensive range of options offered by the P1A family make the advantages of Ceramic Capacitive technology in low-pressure sensing now available to the broadest spectrum of industrial applications. Besides the multiple standard configurations available, customized adaptations can also be considered.

Kavlico's P1A Ceramic Capacitive Pressure Sensor incorporates the latest generation sensing elements with state-of-the-art ASICs. Designed to withstand harsh environments, it features superior EMI protection, outstanding shock and vibration performance, impressive longevity and lifetime performance and high quality. It is tested to parameters that match or exceed those of competing products on the market.

# Technical Specifications

## Pressure Ranges

from 0 to ...	bar (gage)	0.25	0.4	0.6	1	1.6	2.5	4	6	10	16
from 0 to ...	bar (absolute)					1.6	2.5	4	6	10	16
Proof pressure factor		4x	4x	4x	4x	4x	4x	3x	3x	3x	2x
Burst pressure factor		6x	6x	6x	6x	6x	6x	5x	5x	4x	3x
from -1 to ...	bar (gage)	0	1								
Proof pressure	bar (gage)	-1 / +4	-1 / +4								
Burst pressure	bar (gage)	6	6								
from 0 to ...	PSI (gage)	5	10	15	20	30	50	75	100	150	200
from 0 to ...	PSI (absolute)				20	30	50	75	100	150	200
Proof pressure factor		4x	4x	4x	4x	4x	4x	3x	3x	3x	2x
Proof pressure factor		6x	6x	6x	6x	6x	6x	5x	5x	4x	3x

## Physical

Operating Life Cycle	min. 10 million full pressure cycles over the full range
Vibration Resistance	IEC 60068-2-64 (RANDOM) 20 PSD
Shock Resistance	100 g minimum according to DIN EN 60068-2-27
Drop Test	1 meter drop on concrete as per SAE J1455 / DIN EN 60068-2-3-1
Weight	≤ 50 grams
Ingress Protection	IP 65 or IP67 - depending on electrical connector
Medium Temperature	-30°C to + 120°C (others on request)
Environmental Temperature	-30°C to + 100°C (depending on internal and external seal ring capability) <sup>*4</sup>
Storage Temperature	-30°C to + 100°C (depending on internal and external seal ring capability) <sup>*4</sup>
Media	All class II fluids and gases compatible with stainless steel 304 (1.4301) and the internal and external (optional) seal ring material

<sup>\*4</sup> For more details see How to Order

## Performance

Accuracy <sup>*1</sup>	≤ 1 % of span <sup>*3</sup>
Non-linearity <sup>*2</sup>	0.2 % of span <sup>*3</sup>
Non-repeatability	0.1 % of span <sup>*3</sup>
1-year stability	0.2 % of span <sup>*3</sup>
Temp. Coefficients - Zero	0.2 % of span / 10 K within temperature range 0°C to + 80°C.2 %
Temp. Coefficients - Span	0.2 % of span / 10 K within temperature range 0°C to + 80°C.2 %

<sup>\*1</sup> Including non-linearity, hysteresis, non-repeatability, zero point and full scale error (corresponds to error of measurement per IEC 61298-2). Adjusted in vertical mounting position with pressure port down.

<sup>\*2</sup> BFSL according to IEC 61298-2 reference conditions to EN 61298-1

<sup>\*3</sup> Others on request

## Electrical

Output Signal	4...20 mA	0.5...4.5 VDC ratiometric	0...5 VDC	0...10 VDC
Operating Supply Signal	9-30 VDC <sup>*5</sup>	5 VDC ± 5% <sup>*5</sup>	8-30 VDC <sup>*5</sup>	14-30 VDC <sup>*5</sup>
Power Consumption	≤ 600 mW	≤ 25 mW	≤ 600 mW	≤ 600 mW
Overvoltage Protection	min. 33 VDC	min. 33 VDC	min. 33 VDC	min. 33 VDC
Short-circuit Proofness	not applicable	Yes <sup>*6</sup>	Yes <sup>*6</sup>	Yes <sup>*6</sup>
Insulation Voltage	500 VDC	500 VDC	500 VDC	500 VDC
Reverse Polarity Protection	Yes <sup>*7</sup>	Yes <sup>*7</sup>	Yes <sup>*7</sup>	Yes <sup>*7</sup>
Load	≤ (Vsup-8 VDC)/(0.02 A) [Ω]	≥ 4.7 kΩ	≥ 4.7 kΩ	≥ 4.7 kΩ
Response Time	≤ 5 ms max. to 63% of full scale pressure with step change on input			

<sup>\*5</sup> Unit shall be supplied by a power supply with double/reinforced insulation (SELV) and limited energy in accordance to

UL/EN/IEC 61010-1 or LPS in accordance to UL/EN/IEC 60950-1 or class 2 per UL1310/UL1585 (NEC or CEC). The power supply shall be approved for usage above 2000m if the pressure sensor is used in this environment.  
For indoor and outdoor use, not exposed to direct sunlight.

<sup>\*6</sup> for min. 3 intervals at 5 minutes each

<sup>\*7</sup> for min. 10 seconds on assigned pins

## Approvals & Certificates

CE Compliance	Pressure equipment directive 97/23/EC EMC directive 2004/108/EG, IEC 61326 Emission (Group 1, Class B) and Immunity (industrial locations)
UL	In Process
ROHS	2011/65/EU ROHS Directive

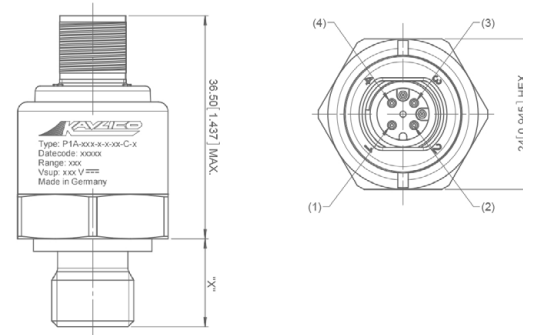
## Dimensions

### Pressure Sensor with Electrical Connection

Dimensions in mm [Inch]

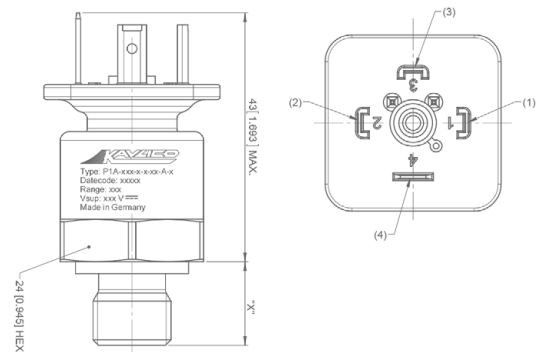
#### M12 Pin Call Outs

Output	Pin 1	Pin 2	Pin 3	Pin 4
4-20 mA	Vsup	...	Iout	...
0.5-4.5 VDC ratiometric	Vsup	...	Vout	GND
0-5 VDC	Vsup	...	Vout	GND
0-10 VDC	Vsup	...	Vout	GND



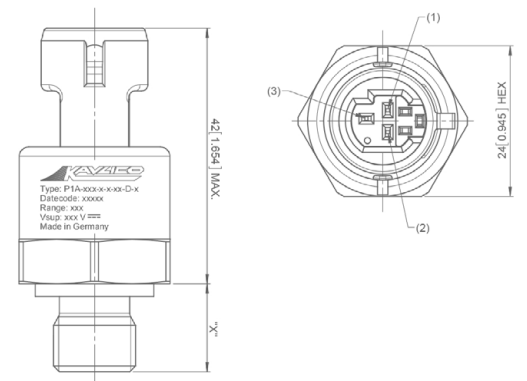
#### 18 mm Pin Call Outs

Output	Pin 1	Pin 2	Pin 3	Pin 4
4-20 mA	Vsup	Iout	...	...
0.5-4.5 VDC ratiometric	Vsup	Vout	GND	...
0-5 VDC	Vsup	Vout	GND	...
0-10 VDC	Vsup	Vout	GND	...



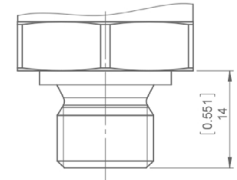
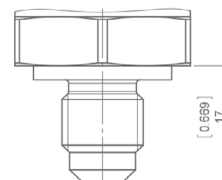
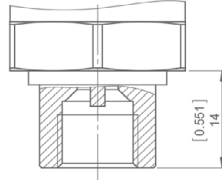
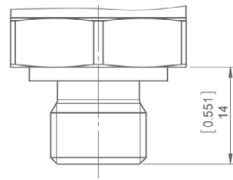
#### Packard (metri-pack 150) Pin Call Outs

Output	Pin 1	Pin 2	Pin 3
4-20 mA	Iout	Vsup	...
0.5-4.5 VDC ratiometric	GND	Vsup	Vout
0-5 VDC	GND	Vsup	Vout
0-10 VDC	GND	Vsup	Vout

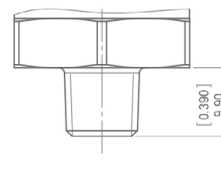
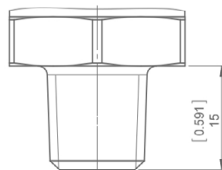
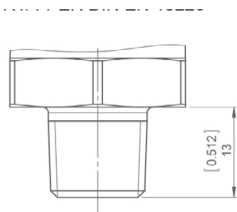


## Pressure Connections and Recommended Installation Torque

Dimensions in mm [Inch]



Name	G1/4A DIN 3852-E	7/16-20 UNF-2B SAE J1926-1	7/16-20 UNF-2A SAE J1926-2	G1/4A DIN 3852-A
Thread	External	Internal	External	External
Torque	20 Nm	20 Nm	20 Nm	20 Nm



Name	1/4-19 BSPT R1/4 PER DIN EN 10226	1/4-18 NPTF	1/8-27 NPTF
Thread	External	External	Internal
Torque	20 Nm	20 Nm	20 Nm

Note: Recommended torque may vary according to material and specific application.

# How to Order

P1A 06 G 1 A 01 A D

## Pressure Ranges

01 0 - 0.25 Bar	50 0 - 5 PSI
02 0 - 0.4 Bar	51 0 - 10 PSI
03 0 - 0.6 Bar	52 0 - 15 PSI
04 0 - 1 Bar	53 0 - 20 PSI
05 0 - 1.6 Bar	54 0 - 30 PSI
<b>06 0 - 2.5 Bar</b>	55 0 - 50 PSI
07 0 - 4 Bar	56 0 - 75 PSI
08 0 - 6 Bar	57 0 - 100 PSI
09 0 - 10 Bar	58 0 - 150 PSI
10 0 - 16 Bar	59 0 - 200 PSI
30 -1 - 0 Bar	
31 -1 - 1 Bar	

## Reference

A Absolute  
G Gage

## Output

- 1 4-20 mA
- 2 0.5-4.5 VDC radiometric
- 3 0-5 VDC
- 4 0-10 VDC

## External Seal Ring

- A None
- B Fluorocarbon FKM (Viton)  
Only for pressure connection port option 1  
lower temperature limited to -20°C
- C Aluminium Washer G1/4  
Only for pressure connection port option 4
- D Copper Washer G1/4  
Only for pressure connection port option 4
- F Ethylene Propylene - EPDM  
Only for pressure connection port option 1

## Internal Seal Ring

- C Neoprene - CR  
Operating Temp: - 30 to 120°C
- D Fluorocarbon - FKM (VITON)  
Operating Temp: - 20 to 120°C
- E Fluorosilicone - FVMQ  
Operating Temp: - 30 to 120°C
- F Ethylene Propylene - EPDM  
Operating Temp: - 30 to 120°C

## Built-in Electrical Connection

- A 18mm, EN 175301-803-A003MS, 4 pole  
Sensor delivered without mating connector
- C M12, 4 pole according to IEC 61076-2-101  
Sensor delivered without mating connector
- D Packard Metri-Pack 150, 3 pole  
Sensor delivered without mating connector

## Pressure Connection (Port)

- 01 G 1/4A DIN 3852-E
- 02 7/16-20UNF-2B (female) SAE J1926-1 (modified)  
With 45° cone and schrader
- 03 7/16-20UNF-2A (male) SAE J1926-2 (modified)  
With 45° cone
- 04 G1/4A DIN 3852-A
- 05 1/4-19 BSPT  
Is equivalent to 1/4-19PT and R1/4 per DIN EN 10226 5
- 06 1/4-18 NPTF
- 11 1/8-27 NPTF

### Example:

P1A -06G - 1 - A - 01- A - D

### Description:

P1A Sensor, 0 - 2.5 bar Gage, 4 - 20 mA Output, No External Seal Ring, G1/4 DIN 3852-E Pressure Connection, with 18mm, EN 175301-803-A003MS, 4 pole Electrical Connector and Fluorocarbon FKM Internal Seal Ring



Before installation and operation, ensure that the appropriate pressure sensor has been selected in terms of pressure range, design and specific measuring conditions. Non-compliance can result in serious injury and/or damage to the equipment.

**Warning:** The product information contained in this catalogue is given purely as information and does not constitute a representation, warranty or any form of contractual commitment. Kavlico reserve the right to modify their products without notice. It is imperative that we should be consulted over any particular use or application of our products and it is the responsibility of the buyer to establish, particularly through all the appropriate tests, that the product is suitable for the use or application. Under no circumstances will our warranty apply, nor shall we be held responsible for any application (such as any modification, addition, deletion, use in conjunction with other electrical or electronic components, circuits or assemblies, or any other unsuitable material or substance) which has not been expressly agreed by us prior to the sale of our products.



## Sales Offices Worldwide

### Americas

Brazil  
Mexico  
USA

### Europe

England  
France  
Germany  
Italy  
Netherlands  
Spain  
Sweden  
Russia

### Asia Pacific

China  
India  
Japan  
South Korea

### Main Contact

Sensata Germany GmbH  
Potsdamer Strasse 14,  
32423 Minden  
Tel: +49 571 3859-0  
Fax: +49 571 3859-119  
[www.kavlico.com](http://www.kavlico.com)  
[www.sensata.com](http://www.sensata.com)

### Your local sales contact: