



Chipsmall Limited consists of a professional team with an average of over 10 year of expertise in the distribution of electronic components. Based in Hongkong, we have already established firm and mutual-benefit business relationships with customers from,Europe,America and south Asia,supplying obsolete and hard-to-find components to meet their specific needs.

With the principle of “Quality Parts,Customers Priority,Honest Operation,and Considerate Service”,our business mainly focus on the distribution of electronic components. Line cards we deal with include Microchip,ALPS,ROHM,Xilinx,Pulse,ON,Everlight and Freescale. Main products comprise IC,Modules,Potentiometer,IC Socket,Relay,Connector.Our parts cover such applications as commercial,industrial, and automotives areas.

We are looking forward to setting up business relationship with you and hope to provide you with the best service and solution. Let us make a better world for our industry!



Contact us

Tel: +86-755-8981 8866 Fax: +86-755-8427 6832

Email & Skype: info@chipsmall.com Web: www.chipsmall.com

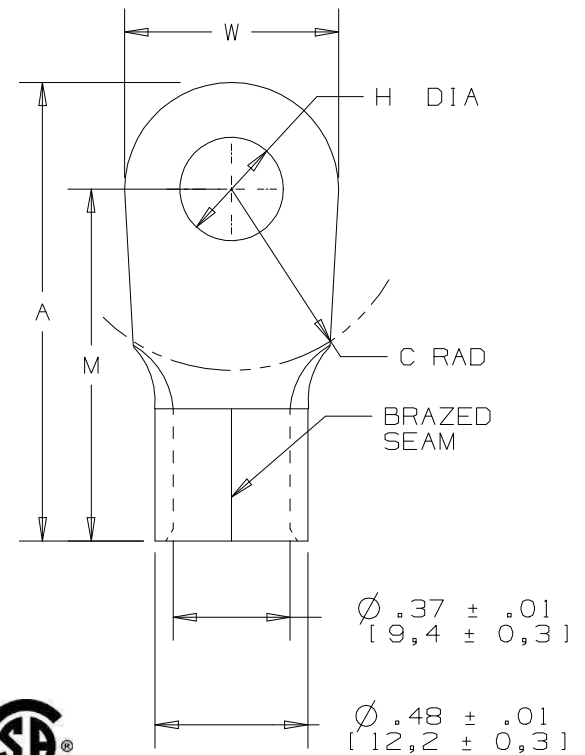
Address: A1208, Overseas Decoration Building, #122 Zhenhua RD., Futian, Shenzhen, China



THIS COPY IS PROVIDED ON A RESTRICTED BASIS AND IS NOT TO BE USED IN ANY WAY DETRIMENTAL TO THE INTERESTS OF PANDUIT CORP.

PANDUIT PART NUMBER	STUD SIZE	DIMENSIONS - in [mm]				
		A ± .03 [0,8]	W ± .01 [0,3]	C ± .02 [0,5]	M ± .03 [0,8]	H ± .01 [0,3]
P2-10R	#10	1.46 [37,1]	.68 [17,3]	.58 [14,7]	1.12 [28,5]	.20 [5,1]
P2-14R	1/4"	1.46 [37,1]	.68 [17,3]	.58 [14,7]	1.12 [28,5]	.27 [6,9]
P2-56R	5/16"	1.46 [37,1]	.68 [17,3]	.58 [14,7]	1.12 [28,5]	.33 [8,4]
P2-38R	3/8"	1.46 [37,1]	.68 [17,3]	.58 [14,7]	1.12 [28,5]	.39 [9,9]
P2-12R *	1/2"	1.55 [39,4]	.86 [21,8]	.58 [14,7]	1.12 [28,5]	.52 [13,2]

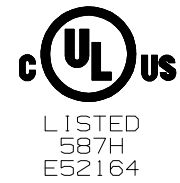
UL & CSA TOOLS (DIES)
CT-1701 (P2)
CT-2600 (CD-2600-P2)



*P2-12R NOT CSA CERTIFIED

NOTES:

- UL LISTED AND CSA CERTIFIED FOR:
A. 302°F (150°C) MAX OPERATING TEMP
B. #2 AWG STRANDED COPPER WIRE
- SEE WWW.PANDUIT.COM FOR PACKAGE QUANTITIES
- MATERIAL:
A. STAMPING - .060" [1,52] THK COPPER, TIN PLATED
- DIMENSIONS IN BRACKETS ARE IN MILLIMETERS
- WIRE STRIP LENGTH: 7/16" ^{+1/32} [11,1mm ^{+0,8} ₋₀]



TITLE
#2 BARREL NON-INSULATED RING TONGUE
CUSTOMER DRAWING

ITEM REVISION NAME
N41212BB/07
DATASET FILE NAME
N41212BB/07



UNLESS OTHERWISE SPECIFIED, DIMENSIONAL TOLERANCES ARE: IN [mm]
.X ± .XXX ±
.XX ± ANGLES ±

MATERIAL:
SEE NOTES
DRAWING NUMBER:
A41212



DRAWN BY DAW	DATE	CHK RLS	SCALE NONE	SHT 1 OF 1	SIZE A
-----------------	------	------------	---------------	------------	-----------

B

B

A

A

D10100DA/16