



Chipsmall Limited consists of a professional team with an average of over 10 year of expertise in the distribution of electronic components. Based in Hongkong, we have already established firm and mutual-benefit business relationships with customers from,Europe,America and south Asia,supplying obsolete and hard-to-find components to meet their specific needs.

With the principle of "Quality Parts,Customers Priority,Honest Operation,and Considerate Service",our business mainly focus on the distribution of electronic components. Line cards we deal with include Microchip,ALPS,ROHM,Xilinx,Pulse,ON,Everlight and Freescale. Main products comprise IC,Modules,Potentiometer,IC Socket,Relay,Connector.Our parts cover such applications as commercial,industrial, and automotives areas.

We are looking forward to setting up business relationship with you and hope to provide you with the best service and solution. Let us make a better world for our industry!



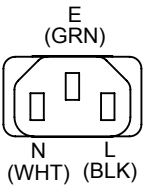
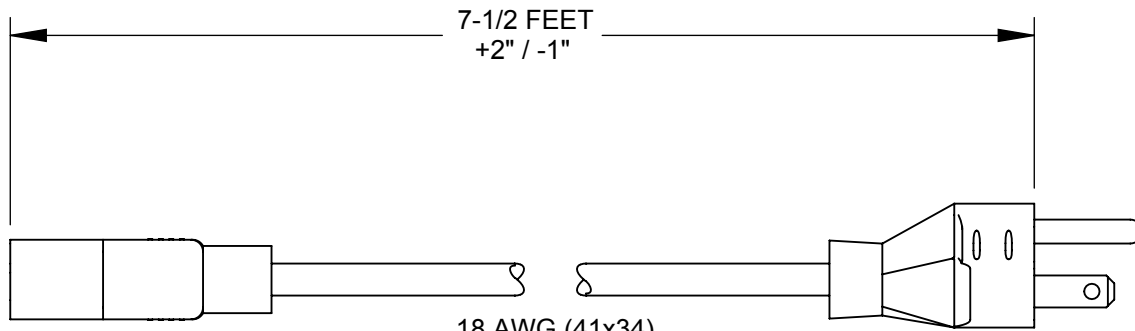
Contact us

Tel: +86-755-8981 8866 Fax: +86-755-8427 6832

Email & Skype: info@chipsmall.com Web: www.chipsmall.com

Address: A1208, Overseas Decoration Building, #122 Zhenhua RD., Futian, Shenzhen, China

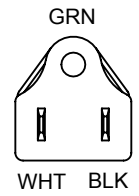




CEE-22
FEMALE CONNECTOR
10 AMP, 125 VOLT

18 AWG (41x34)
3 CONDUCTOR, SVT VINYL, BLACK
125 VOLT, 10 AMP, 1250 WATT

NEMA 5-15P
MALE PLUG
10 AMP, 125 VOLT



NOTES:

1. MATES WITH SWITCHCRAFT "EAC" SERIES MALE CONNECTORS.
2. THIS PRODUCT MUST BE RoHS COMPLIANT.

CUSTOMER DRAWING

					THIS DRAWING DESCRIBES A DESIGN CONSIDERED PROPRIETARY IN NATURE, DEVELOPED AND MANUFACTURED BY SWITCHCRAFT INC. AND IS RELEASED ON A CONFIDENTIAL BASIS FOR IDENTIFICATION PURPOSES ONLY.					
					SIZE	WIDTH	MULT	LBS/M	TEMPER	
					UNLESS OTHERWISE SPECIFIED			FINISH		
					1. ALL DIMENSIONS IN INCHES			MATERIAL		
					- TWO PLACE DECIMALS ±0.02			SPEC No.		
					- THREE PLACE DECIMALS ±0.005			SCALE		
					FIRST USED ON		1:1.5			
B	25995	11-12-08	JEB	TJK	DATE DRAWN	BY	CHKD	APVD	Switchcraft®	
A	26296	2-29-08	TJK	TJK	2-1-08	TJK	TJK	TJK		
REVISIONS					NAME		PART No.		REV	
DO NOT SCALE DRAWING					LINE CORD 90" LONG, RoHS			P2392X		B

