



Chipsmall Limited consists of a professional team with an average of over 10 year of expertise in the distribution of electronic components. Based in Hongkong, we have already established firm and mutual-benefit business relationships with customers from,Europe,America and south Asia,supplying obsolete and hard-to-find components to meet their specific needs.

With the principle of "Quality Parts,Customers Priority,Honest Operation,and Considerate Service",our business mainly focus on the distribution of electronic components. Line cards we deal with include Microchip,ALPS,ROHM,Xilinx,Pulse,ON,Everlight and Freescale. Main products comprise IC,Modules,Potentiometer,IC Socket,Relay,Connector.Our parts cover such applications as commercial,industrial, and automotives areas.

We are looking forward to setting up business relationship with you and hope to provide you with the best service and solution. Let us make a better world for our industry!



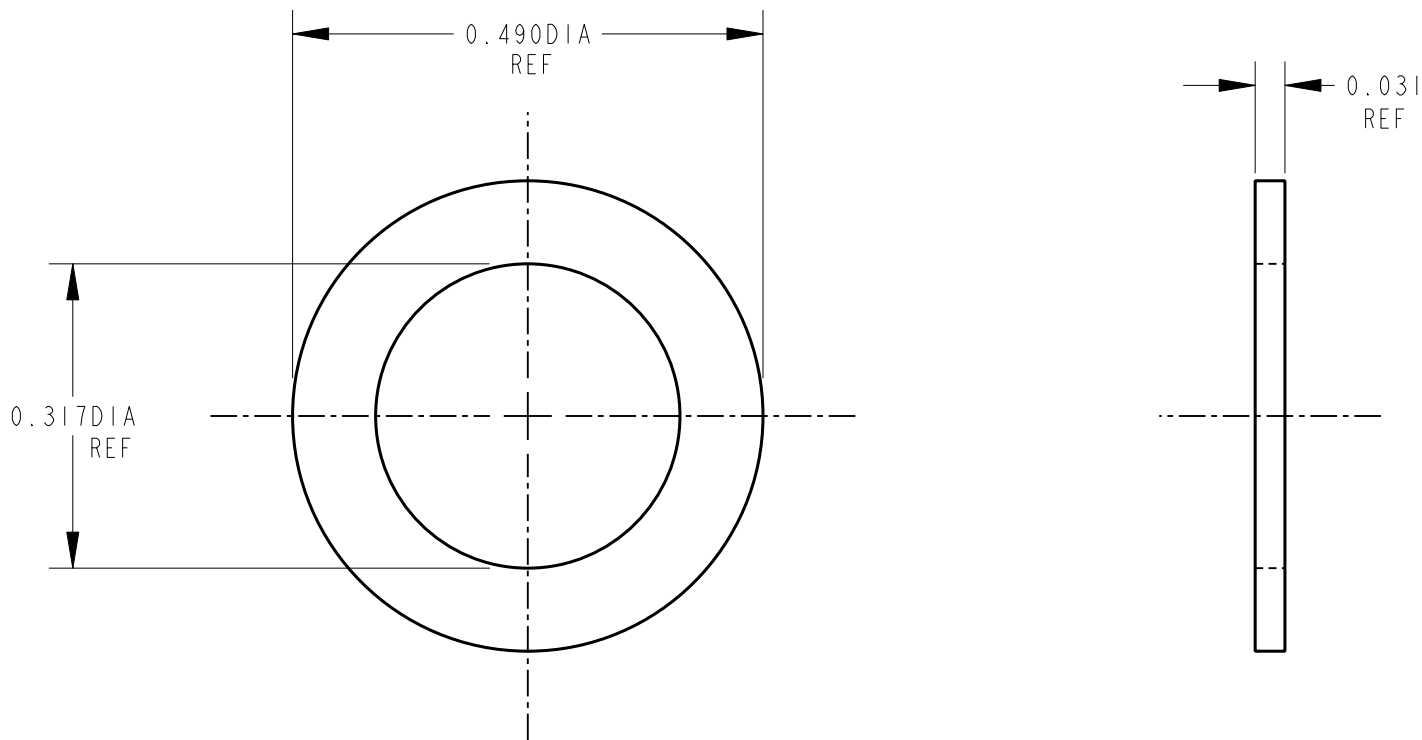
## Contact us

Tel: +86-755-8981 8866 Fax: +86-755-8427 6832

Email & Skype: info@chipsmall.com Web: www.chipsmall.com

Address: A1208, Overseas Decoration Building, #122 Zhenhua RD., Futian, Shenzhen, China





NOTE:

1. MATERIAL: PHENOLIC

CUSTOMER DRAWING

CAD/CAM DWG. NO.

P 2 4 4 2 \_ C D

SHEET 1 OF 1

★ STAR SYMBOL DENOTES CRITICAL DIMENSION, SEE S/C ENGINEERING STANDARD ES-0001

THIS DRAWING DESCRIBES A DESIGN CONSIDERED PROPRIETARY IN NATURE, DEVELOPED AND MANUFACTURED BY SWITCHCRAFT INC. AND IS RELEASED ON A CONFIDENTIAL BASIS FOR IDENTIFICATION PURPOSE ONLY.

UNLESS OTHERWISE SPECIFIED

SIZE	WIDTH	MULT	LBS./M	TEMPER
------	-------	------	--------	--------

1. ALL DIMENSIONS IN INCHES  
TWO PLACE DECIMAL ±.01  
THREE PLACE DECIMAL ±.005  
FRACTIONAL DIMENSIONS ±1/64  
ANGLES ±1/8°  
ALL DIA'S CONCENTRIC WITHIN ±.005 T.I.R.
2. REMOVE ALL BURRS
3. MAKE NO DIMENSIONAL ALLOWANCES FOR APPLIED FINISHES, I.E., PLATING, PAINTING, ETC.
4. HOLES ON THE SAME CENTERLINE MUST BE ALIGNED WITHIN ±.002

FINISH	MATERIAL	SEE NOTE
SPEC. NO.	SPEC. NO.	

FIRST USED ON	SCALE		
	1 = 0.2		
DATE DRAWN	BY	CHK'D	APP'D
12-15-93	RS	RS	GHJ
		12-15-93	12-15-93

**Switchcraft®**

B	ECO #19704	3-24-95	RC	GHJ
A	FIRST DRAWN	12-15-93	RS	GHJ
ISSUE	CHANGE NO.	DATE	BY	APP'D

NAME	PART NO.	ISSUE
WASHER, INSULATING	P 2 4 4 2	B

REVISIONS

DO NOT SCALE DRAWING

