



Chipsmall Limited consists of a professional team with an average of over 10 year of expertise in the distribution of electronic components. Based in Hongkong, we have already established firm and mutual-benefit business relationships with customers from,Europe,America and south Asia,supplying obsolete and hard-to-find components to meet their specific needs.

With the principle of “Quality Parts,Customers Priority,Honest Operation,and Considerate Service”,our business mainly focus on the distribution of electronic components. Line cards we deal with include Microchip,ALPS,ROHM,Xilinx,Pulse,ON,Everlight and Freescale. Main products comprise IC,Modules,Potentiometer,IC Socket,Relay,Connector.Our parts cover such applications as commercial,industrial, and automotives areas.

We are looking forward to setting up business relationship with you and hope to provide you with the best service and solution. Let us make a better world for our industry!



Contact us

Tel: +86-755-8981 8866 Fax: +86-755-8427 6832

Email & Skype: info@chipsmall.com Web: www.chipsmall.com

Address: A1208, Overseas Decoration Building, #122 Zhenhua RD., Futian, Shenzhen, China



P25 series

Rotary code switches



DISTINCTIVE FEATURES

Lateral C-contact

SMJ, SMT-Pins

Contacts with hard gold plating

Solid, tinned PCB pins



ENVIRONMENTAL SPECIFICATIONS

- Operating temperature: -50 °C to +125 °C (-58 °F to +257 °F)
- Storage temperature: -55 °C to +135 °C (-67 °F to +275 °F)
- Vibration, Shock : DIN EN 60068-2-6 and DIN EN 60068-2-27
- Humidity : 21 days at 40 °C (104 °F) 93% RH



ELECTRICAL SPECIFICATIONS

- Operating voltage : 42 VDC max.
- Contact load, static : 400 mA max.
- Contact load, dynamic : 100 mA max.
- Initial contact resistance : 80 mΩ max.
- Insulation resistance : 100 MΩ min.



MATERIALS

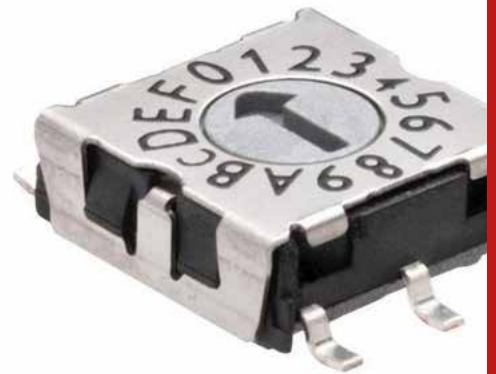
- Housing : plastic
- Cover : stainless steel
- Fixed contact, pins : copperalloy
- Moveable contacts : copperalloy
- Contact surface : hardgold
- Rotor: plastic



SOLDERING

- Reflow soldering : 260 °C (500 °F) max. for 10 seconds max.

The company reserves the right to change specifications without notice.

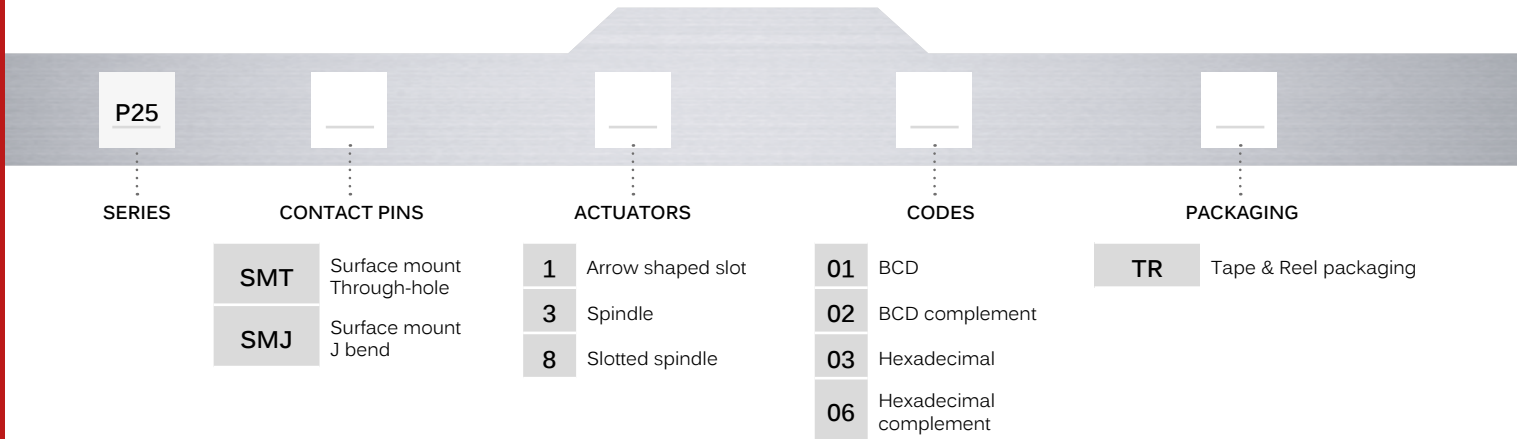


P25 series

Rotary code switches



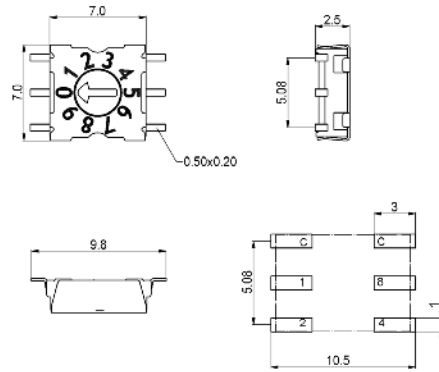
BUILD YOUR PART NUMBER



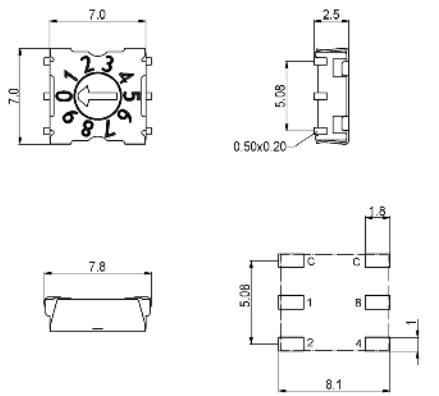
P25 series

Rotary code switches

SMT

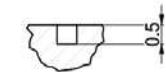


SMJ

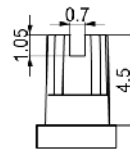


ACTUATORS

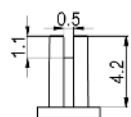
- 1 Arrow shaped slot
- 3 Spindle
- 8 Slotted spindle



1



3



8