



Chipsmall Limited consists of a professional team with an average of over 10 year of expertise in the distribution of electronic components. Based in Hongkong, we have already established firm and mutual-benefit business relationships with customers from,Europe,America and south Asia,supplying obsolete and hard-to-find components to meet their specific needs.

With the principle of “Quality Parts,Customers Priority,Honest Operation,and Considerate Service”,our business mainly focus on the distribution of electronic components. Line cards we deal with include Microchip,ALPS,ROHM,Xilinx,Pulse,ON,Everlight and Freescale. Main products comprise IC,Modules,Potentiometer,IC Socket,Relay,Connector.Our parts cover such applications as commercial,industrial, and automotives areas.

We are looking forward to setting up business relationship with you and hope to provide you with the best service and solution. Let us make a better world for our industry!



Contact us

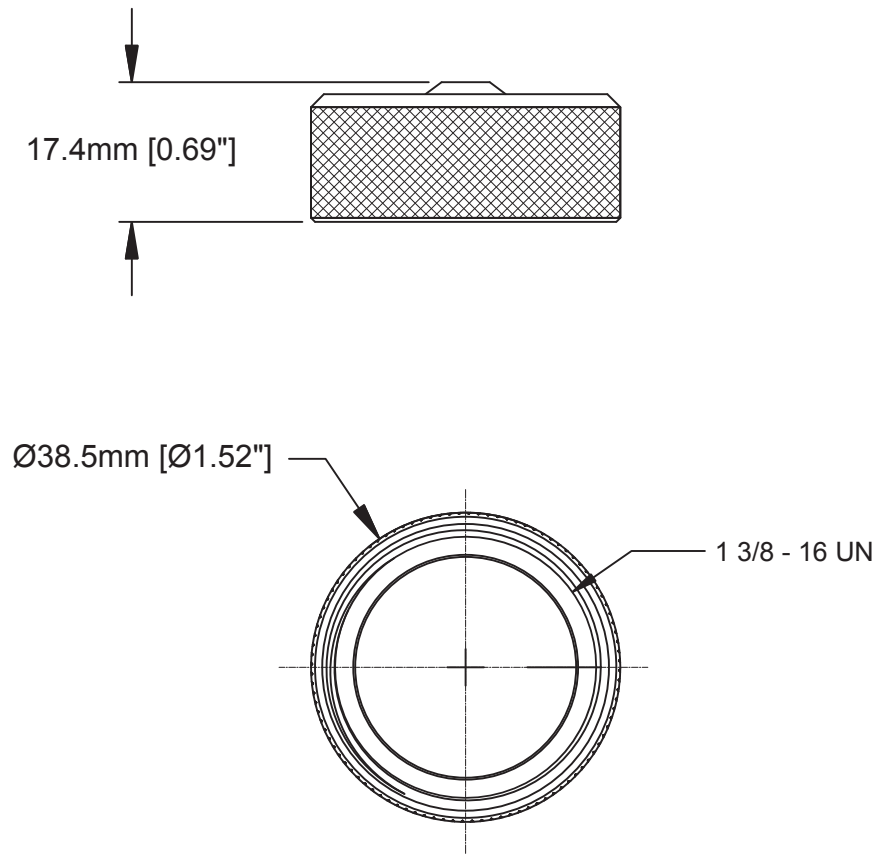
Tel: +86-755-8981 8866 Fax: +86-755-8427 6832

Email & Skype: info@chipsmall.com Web: www.chipsmall.com

Address: A1208, Overseas Decoration Building, #122 Zhenhua RD., Futian, Shenzhen, China



REVISIONS					
REV	ECO	DESCRIPTION	DATE	BY	APPR
A1	-	TECHNICAL DATA SHEET RELEASE	12-MAY-14	KMM	RFC



Risk of Electrical Shock
Do Not Disconnect Under Load.
Risque de chocs électriques
Ne pas debrancher sous tension.

WARNING

QUANTITY	PART NUMBER	DESCRIPTION	ITEM										
MATERIALS LIST													
<small>UNLESS OTHERWISE SPECIFIED</small> 1) All dimensions are in metric(mm). 2) Tolerances are as follows: 1 PL DEC ±0.30 Fractions ±1/64 2 PL DEC ±0.15 Angles ±1° 3 PL DEC ±0.08 3) Note reference =		<table border="1"> <thead> <tr> <th>SIGNATURES</th> <th>DATE</th> </tr> </thead> <tbody> <tr> <td>DRAWN: KMM</td> <td>12-MAY-14</td> </tr> <tr> <td>CHECKED: MRF</td> <td>12-MAY-14</td> </tr> <tr> <td>ENGINEER: KMM</td> <td></td> </tr> <tr> <td>APPROVAL: RFC</td> <td>12-MAY-14</td> </tr> </tbody> </table>	SIGNATURES	DATE	DRAWN: KMM	12-MAY-14	CHECKED: MRF	12-MAY-14	ENGINEER: KMM		APPROVAL: RFC	12-MAY-14	<h1>Amphenol</h1> <p>Sine Systems - www.amphenol-sine.com 44724 Morley Drive Clinton Township, MI 48036</p>
SIGNATURES	DATE												
DRAWN: KMM	12-MAY-14												
CHECKED: MRF	12-MAY-14												
ENGINEER: KMM													
APPROVAL: RFC	12-MAY-14												
MATERIAL SPECIFICATIONS:		CUSTOMER:	M35 PB LITE, CLOSURE CAP FOR MALE CONNECTOR, TRUNK										
PROCESS SPECIFICATIONS:		<small>THIS DRAWING IS SUPPLIED FOR INFORMATION ONLY. DESIGN FEATURES, SPECIFICATIONS AND PERFORMANCE DATA SHOWN HEREON ARE THE PROPERTY OF THE AMPHENOL CORPORATION. NO RIGHTS OF REPRODUCTION ARE IMPLIED. ALL DIMENSIONS ARE SUBJECT TO NORMAL MANUFACTURING VARIATIONS.</small>											
NEXT ASSY:		SCALE: FULL	<table border="1"> <tr> <td>SIZE</td> <td>TYPE</td> <td>DWG NO:</td> <td>REVISION</td> </tr> <tr> <td></td> <td>C-</td> <td>P29042</td> <td>A1</td> </tr> </table>	SIZE	TYPE	DWG NO:	REVISION		C-	P29042	A1		
SIZE	TYPE	DWG NO:	REVISION										
	C-	P29042	A1										

TECHNICAL DATA:

1) MATERIALS:
HOUSING: MACHINED ALUMINUM, ANODIZED

2) RoHS COMPLIANT

TITLE: M35 PB LITE, CLOSURE CAP, MALE, TRUNK
DWG NO: C-P29042
REV: A1
SH: 1
OF: 1