



Chipsmall Limited consists of a professional team with an average of over 10 year of expertise in the distribution of electronic components. Based in Hongkong, we have already established firm and mutual-benefit business relationships with customers from,Europe,America and south Asia,supplying obsolete and hard-to-find components to meet their specific needs.

With the principle of “Quality Parts,Customers Priority,Honest Operation,and Considerate Service”,our business mainly focus on the distribution of electronic components. Line cards we deal with include Microchip,ALPS,ROHM,Xilinx,Pulse,ON,Everlight and Freescale. Main products comprise IC,Modules,Potentiometer,IC Socket,Relay,Connector.Our parts cover such applications as commercial,industrial, and automotives areas.

We are looking forward to setting up business relationship with you and hope to provide you with the best service and solution. Let us make a better world for our industry!



## Contact us

Tel: +86-755-8981 8866 Fax: +86-755-8427 6832

Email & Skype: info@chipsmall.com Web: www.chipsmall.com

Address: A1208, Overseas Decoration Building, #122 Zhenhua RD., Futian, Shenzhen, China



# P2I2305NZ

## 3.3V 1:5 Clock Buffer

### Functional Description

P2I2305NZ is a low cost high speed buffer designed to accept one clock input and distribute up to five clocks in mobile PC systems and desktop PC systems. The device operates at 3.3 V and outputs can run up to 133.33 MHz.

P2I2305NZ is designed for low EMI and power optimization and consumes less than 32 mA at 66.6 MHz, making it ideal for the low-power requirements of mobile systems. It is available in an 8-pin SOIC Package over Industrial temperature range.

### Features

- One-Input to Five-Output Buffer/Driver
- Buffers All Frequencies from DC to 133.33 MHz
- Low Power Consumption for Mobile Applications
- Less than 32 mA at 66.6 MHz with Unloaded Outputs
- Input-Output delay: 6 nS(max)
- Output-Output skew less than 250 pS
- Supply Voltage: 3.3 V  $\pm$  0.3 V
- Operating Temperature Range: -40°C to +85°C
- 8-pin SOIC Package
- These Devices are Pb-Free, Halogen Free/BFR Free and are RoHS Compliant

### Block Diagram

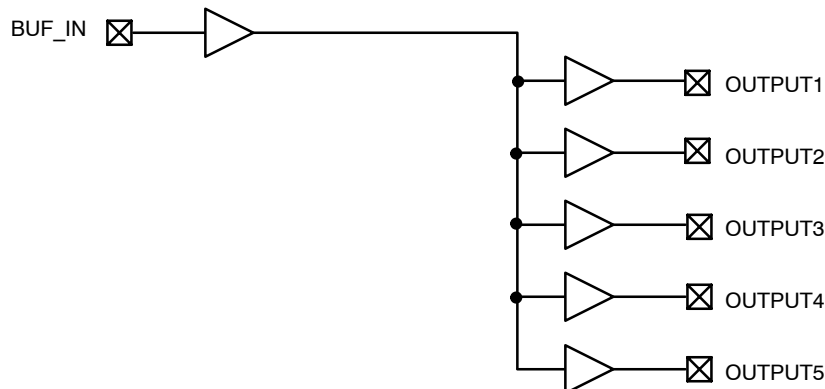


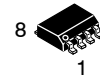
Figure 1. Block Diagram



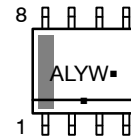
**ON Semiconductor®**

<http://onsemi.com>

### MARKING DIAGRAM



SOIC-8  
D SUFFIX  
CASE 751



xx	= Specific Device Code
A	= Assembly Location
L	= Wafer Lot
Y	= Year
W	= Work Week
▪	= Pb-Free Package

### ORDERING INFORMATION

See detailed ordering and shipping information in the package dimensions section on page 5 of this data sheet.

# P2I2305NZ

## PIN CONFIGURATION

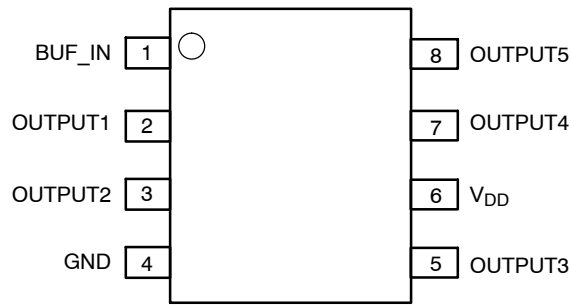


Figure 2. P2I2305NZ Pin Configuration (Top View)

Table 1. PIN DESCRIPTION

Pin#	Pin Name	Description
6	V <sub>DD</sub>	3.3 V, Supply Voltage
4	GND	Ground
1	BUF_IN	Clock Input
2, 3, 5, 7, 8	OUTPUT [1:5]	Clock Outputs

Table 2. ABSOLUTE MAXIMUM RATINGS

Parameter	Min	Max	Unit
Supply Voltage to Ground Potential	-0.5	+4.6	V
DC Input Voltage (Except REF)	-0.5	V <sub>DD</sub> + 0.5	V
DC Input Voltage (REF)	-0.5	7	V
Storage Temperature	-65	+150	°C
Max. Soldering Temperature (10 sec)		260	°C
Junction Temperature		150	°C
Static Discharge Voltage (As per JEDEC STD22- A114-B)		2000	V

Stresses exceeding Maximum Ratings may damage the device. Maximum Ratings are stress ratings only. Functional operation above the Recommended Operating Conditions is not implied. Extended exposure to stresses above the Recommended Operating Conditions may affect device reliability.

Table 3. OPERATING CONDITIONS

Parameter	Description	Min	Max	Unit
V <sub>DD</sub>	Supply Voltage	3.0	3.6	V
T <sub>A</sub>	Operating Temperature	-40	85	°C
C <sub>L</sub>	Load Capacitance, F <sub>out</sub> < 100 MHz		30	pF
	Load Capacitance, 100 MHz < F <sub>out</sub> < 133.33 MHz		15	pF
C <sub>IN</sub>	Input Capacitance		7	pF
BUF_IN, OUTPUT [1:5]	Operating Frequency	DC	133.33	MHz
t <sub>PU</sub>	Power-up time for all V <sub>DD</sub> 's to reach minimum specified voltage (power ramps must be monotonic)	0.05	50	mS

# P2I2305NZ

**Table 4. DC CHARACTERISTICS**  $V_{DD} = 3.0\text{ V to }3.6\text{ V}$ ,  $GND = 0\text{ V}$ ,  $T_A = -40^\circ\text{C to }+85^\circ\text{C}$

Symbol	Parameter	Test Conditions	Min	Max	Unit
$V_{IL}$	Input LOW Voltage (Note 1)			0.8	V
$V_{IH}$	Input HIGH Voltage (Note 1)		2.2		V
$I_{IL}$	Input LOW Current	$V_{IN} = 0\text{ V}$		50.0	$\mu\text{A}$
$I_{IH}$	Input HIGH Current	$V_{IN} = V_{DD}$		100.0	$\mu\text{A}$
$V_{OL}$	Output LOW Voltage (Note 2)	$I_{OL} = 12\text{ mA}$		0.4	V
$V_{OH}$	Output HIGH Voltage (Note 2)	$I_{OH} = -12\text{ mA}$	2.4		V
$I_{DD}$	Supply Current	Unloaded outputs at 66.66 MHz		32	mA

1. BUF\_IN input has a threshold voltage of  $V_{DD}/2$ .
2. Parameter is guaranteed by design and characterization. It is not tested in production.

**Table 5. AC CHARACTERISTICS** (Note 3)  $V_{DD} = 3.0\text{ V to }3.6\text{ V}$ ,  $GND = 0\text{ V}$ ,  $T_A = -40^\circ\text{C to }+85^\circ\text{C}$

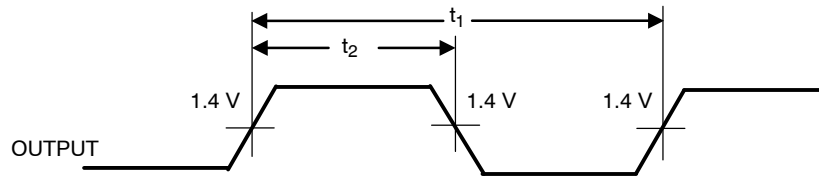
Symbol	Parameter	Test Conditions	Min	Typ	Max	Unit
$t_3$	Rise Time (Note 4)	Measured between 0.8 V and 2.0 V		1.5	2	nS
$t_4$	Fall Time (Note 4)	Measured between 2.0 V and 0.8 V		1.5	2	nS
$t_D$	Duty Cycle (Note 4) = $t_2 \div t_1$	Measured at 1.4 V (For an Input Clock Duty Cycle 50%)	45	50	55	%
$t_5$	Output to Output Skew (Note 4)	All outputs equally loaded			$\pm 250$	pS
$t_6$	Propagation Delay, BUF_IN Rising Edge to OUTPUT Rising Edge (Note 4)	Measured at $V_{DD}/2$		4	6	nS

3. All parameters specified with loaded outputs.
4. Parameter is guaranteed by design and characterization. It is not tested in production.

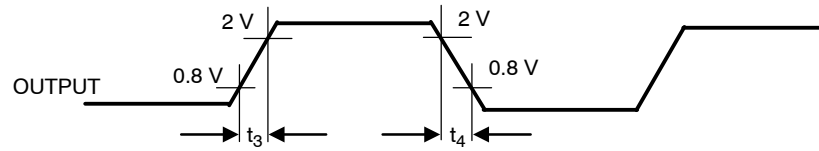
# P2I2305NZ

## SWITCHING WAVEFORMS

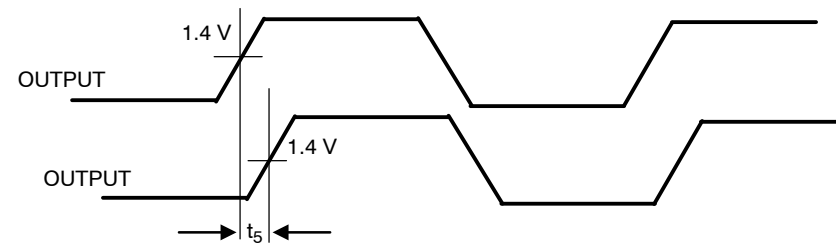
### Duty Cycle Timing



### All Outputs Rise/Fall Time



### Output-Output Skew



### Input-Output Propagation Delay

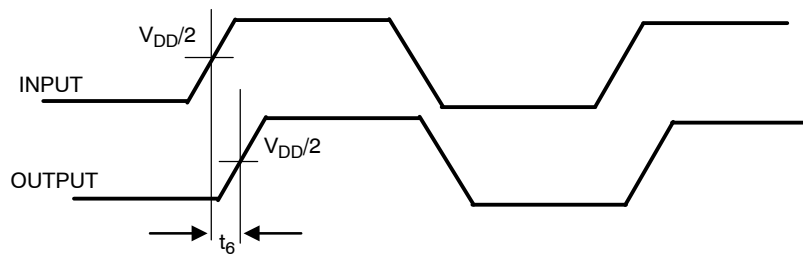


Figure 3. Switching Waveforms

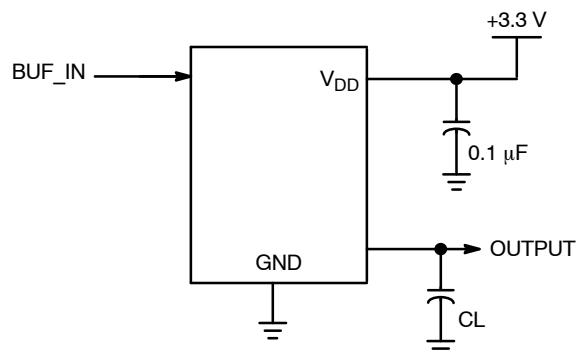


Figure 4. Test Circuit

# P2I2305NZ

## ORDERING INFORMATION

Device	Marking	Package	Shipping†
P2I2305NZG-08SR	ADB	SOIC-8 (Pb-Free)	2500 / Tape & Reel

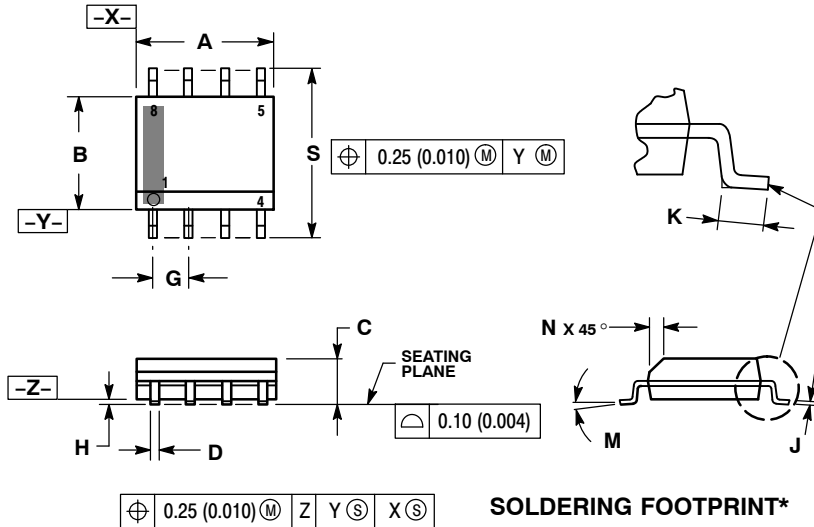
†For information on tape and reel specifications, including part orientation and tape sizes, please refer to our Tape and Reel Packaging Specifications Brochure, BRD8011/D.

\*A "microdot" placed at the end of last row of marking or just below the last row toward the center of package indicates Pb-Free.

# P2I2305NZ

## PACKAGE DIMENSIONS

SOIC-8 NB  
CASE 751-07  
ISSUE AK

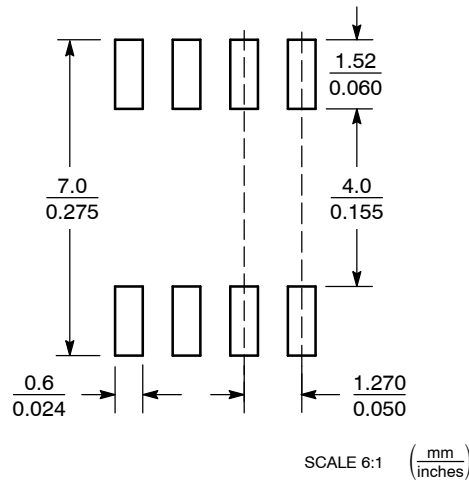


### NOTES:

1. DIMENSIONING AND TOLERANCING PER ANSI Y14.5M, 1982.
2. CONTROLLING DIMENSION: MILLIMETER.
3. DIMENSION A AND B DO NOT INCLUDE MOLD PROTRUSION.
4. MAXIMUM MOLD PROTRUSION 0.15 (0.006) PER SIDE.
5. DIMENSION D DOES NOT INCLUDE DAMBAR PROTRUSION. ALLOWABLE DAMBAR PROTRUSION SHALL BE 0.127 (0.005) TOTAL IN EXCESS OF THE D DIMENSION AT MAXIMUM MATERIAL CONDITION.
6. 751-01 THRU 751-06 ARE OBSOLETE. NEW STANDARD IS 751-07.

DIM	MILLIMETERS		INCHES	
	MIN	MAX	MIN	MAX
A	4.80	5.00	0.189	0.197
B	3.80	4.00	0.150	0.157
C	1.35	1.75	0.053	0.069
D	0.33	0.51	0.013	0.020
G	1.27 BSC		0.050 BSC	
H	0.10	0.25	0.004	0.010
J	0.19	0.25	0.007	0.010
K	0.40	1.27	0.016	0.050
M	0°	8°	0°	8°
N	0.25	0.50	0.010	0.020
S	5.80	6.20	0.228	0.244

### SOLDERING FOOTPRINT\*



\*For additional information on our Pb-Free strategy and soldering details, please download the ON Semiconductor Soldering and Mounting Techniques Reference Manual, SOLDERRM/D.

ON Semiconductor and are registered trademarks of Semiconductor Components Industries, LLC (SCILLC). SCILLC reserves the right to make changes without further notice to any products herein. SCILLC makes no warranty, representation or guarantee regarding the suitability of its products for any particular purpose, nor does SCILLC assume any liability arising out of the application or use of any product or circuit, and specifically disclaims any and all liability, including without limitation special, consequential or incidental damages. "Typical" parameters which may be provided in SCILLC data sheets and/or specifications can and do vary in different applications and actual performance may vary over time. All operating parameters, including "Typicals" must be validated for each customer application by customer's technical experts. SCILLC does not convey any license under its patent rights nor the rights of others. SCILLC products are not designed, intended, or authorized for use as components in systems intended for surgical implant into the body, or other applications intended to support or sustain life, or for any other application in which the failure of the SCILLC product could create a situation where personal injury or death may occur. Should Buyer purchase or use SCILLC products for any such unintended or unauthorized application, Buyer shall indemnify and hold SCILLC and its officers, employees, subsidiaries, affiliates, and distributors harmless against all claims, costs, damages, and expenses, and reasonable attorney fees arising out of, directly or indirectly, any claim of personal injury or death associated with such unintended or unauthorized use, even if such claim alleges that SCILLC was negligent regarding the design or manufacture of the part. SCILLC is an Equal Opportunity/Affirmative Action Employer. This literature is subject to all applicable copyright laws and is not for resale in any manner.

### PUBLICATION ORDERING INFORMATION

**LITERATURE FULFILLMENT:**  
Literature Distribution Center for ON Semiconductor  
P.O. Box 5163, Denver, Colorado 80217 USA  
Phone: 303-675-2175 or 800-344-3860 Toll Free USA/Canada  
Fax: 303-675-2176 or 800-344-3867 Toll Free USA/Canada  
Email: orderlit@onsemi.com

**N. American Technical Support:** 800-282-9855 Toll Free USA/Canada  
**Europe, Middle East and Africa Technical Support:**  
Phone: 421 33 790 2910  
**Japan Customer Focus Center**  
Phone: 81-3-5817-1050

**ON Semiconductor Website:** [www.onsemi.com](http://www.onsemi.com)  
**Order Literature:** <http://www.onsemi.com/orderlit>

For additional information, please contact your local Sales Representative