



Chipsmall Limited consists of a professional team with an average of over 10 year of expertise in the distribution of electronic components. Based in Hongkong, we have already established firm and mutual-benefit business relationships with customers from,Europe,America and south Asia,supplying obsolete and hard-to-find components to meet their specific needs.

With the principle of “Quality Parts,Customers Priority,Honest Operation,and Considerate Service”,our business mainly focus on the distribution of electronic components. Line cards we deal with include Microchip,ALPS,ROHM,Xilinx,Pulse,ON,Everlight and Freescale. Main products comprise IC,Modules,Potentiometer,IC Socket,Relay,Connector.Our parts cover such applications as commercial,industrial, and automotives areas.

We are looking forward to setting up business relationship with you and hope to provide you with the best service and solution. Let us make a better world for our industry!



Contact us

Tel: +86-755-8981 8866 Fax: +86-755-8427 6832

Email & Skype: info@chipsmall.com Web: www.chipsmall.com

Address: A1208, Overseas Decoration Building, #122 Zhenhua RD., Futian, Shenzhen, China



REVISIONS					
REV	ECO	DESCRIPTION	DATE	BY	APPR
A1	-	TECHNICAL DATA SHEET RELEASE	-	-	-
A2	-	ADDED DESCRIPTION	10/27/17	-	-

TECHNICAL DATA:

1) MATERIALS:

CONNECTOR: MB2CKN0900 CHECKMATE
 OVERMOLD: TPE
 CABLE: KA-56645

2) ELECTRICAL:

INSULATION RESISTANCE (MIN): 5000M OHMS
 DIELECTRIC TEST VOLTAGE: 2200V

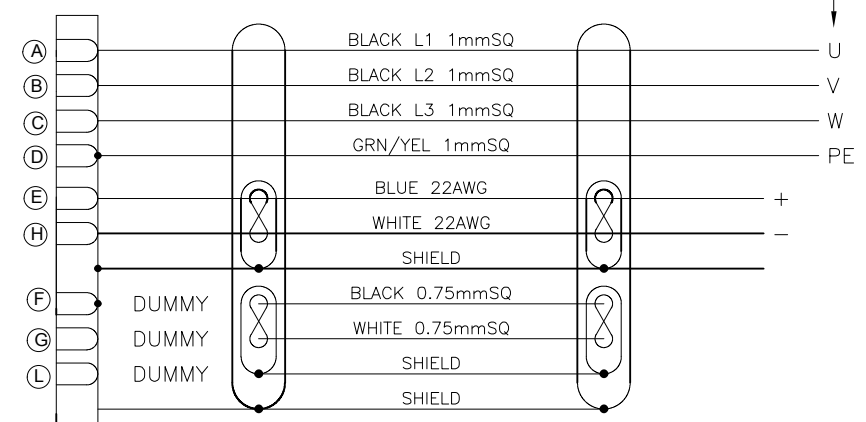
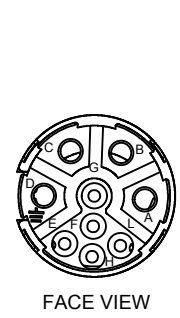
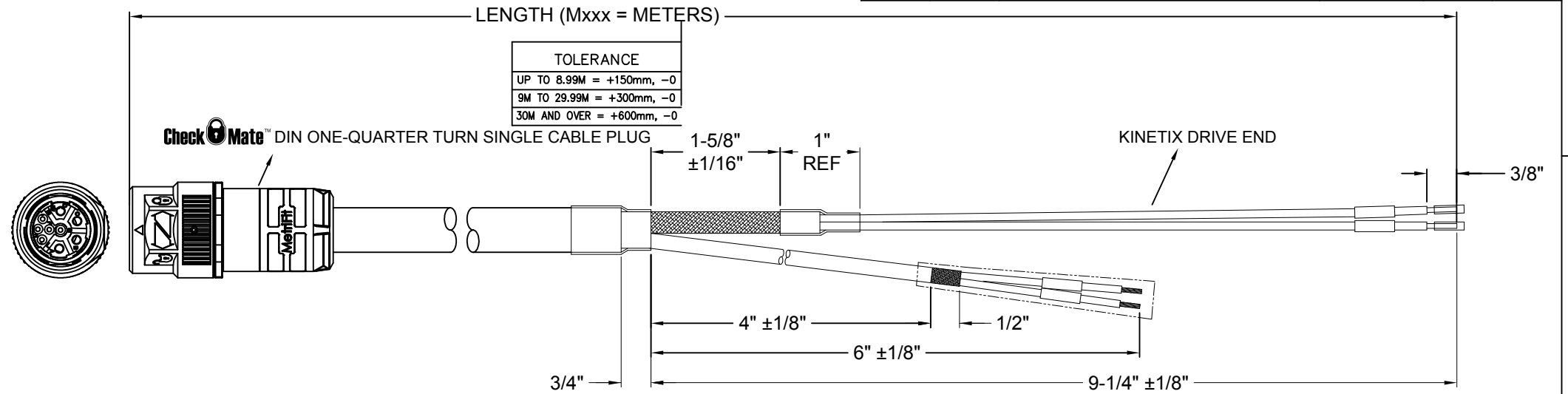
3) MECHANICAL:

TEMPERATURE RANGE: -40°C TO 105°C
 PROTECTION: IP67 (MATED CONDITION)
 MATING CYCLES: >500
 VIBRATION RESISTANCE PER MIL-STD-202 METHOD 204
 THERMAL SHOCK PER MIL-STD-202 METHOD 207
 48 HOUR SALT SPRAY PER MIL-STD-202 METHOD 101

4) CABLE SPECIFICATIONS:

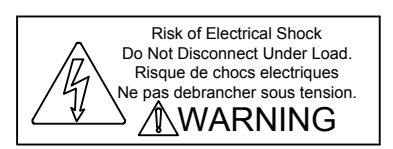
- NOMINAL O.D., 0.47" (11.9MM), JACKET COLOR: ORANGE DESINA RAL 2003, JACKET MATERIAL: POLYURETHANE (PUR).
 - Electrical Resistance at 20°C: ≤ 59,0 Ω/km (Section 0,34mm²)
 - ≤ 26,0 Ω/km (Section 0,75mm²)
 - ≤ 19,5 Ω/km (Section 1,00mm²)
 - Insulation Resistance 20°C: ≤ 500 MΩxkm
 - Test Voltage: 3 kVa.c.
 - Operating Voltage: 1000Va.c.
 - Capacitance 800 ÷ 1000Hz: 45 ± 15 pF/m - (2xAWG22)ST/SN (BUS)
 - Characteristic Impedance at 10MHz: 110 ± 10 Ω - (2xAWG22)ST/SN (BUS)
 - Capacitance 800 ÷ 1000Hz: ≤ 90 pF/m (Conductor/Conductor) 4x1mm²
 - ≤ 150 pF/m (Conductor/Shield) 4x1mm²
 - Temperature Range: -40°C to +80°C (static, dynamic and storage)
 - Minimum Bending Radius: 5 x Ø (Static Use) - 7 x Ø (Dynamic Use)
 - Max Speed: 300 m/min
 - Max Acceleration: 50 m/s²
 - Max Torsion: ± 30°/m
 - Chain length: 20m
 - Max Number of cycles: 5,000,000
- Flame Resistance:
- CEI 20-35-1-2, EN 50265-1-2, IEC 60332-1-2, UL VW-1, CSA FT1
- Halogen Free:
- CEI 20-37, EN 50267-2-1, IEC 60754-1
- Hydrocarbons and oil resistance:
- UL1581, VDE 0472 part 803 A/B, HD 22.10 S1, CNOMO E.03.40.150N

5) RoHS COMPLIANT



ROCKWELL P/N	AMPHENOL P/N
2090-CSWM1DF-18AAxx	P30629-Mxx
2090-CSWM1DF-18AA03	P30629-M3
2090-CSWM1DF-18AA05	P30629-M5
2090-CSWM1DF-18AA09	P30629-M9
2090-CSWM1DF-18AA10	P30629-M10
2090-CSWM1DF-18AA15	P30629-M15
2090-CSWM1DF-18AA20	P30629-M20

QUANTITY	PART NUMBER	DESCRIPTION	ITEM
MATERIALS LIST			
UNLESS OTHERWISE SPECIFIED		<p>Sine Systems - www.sineco.com 44724 Morley Drive Clinton Township, MI 48036</p>	
SIGNATURES			
DATE			
DRAWN: MRF 10AUG15			
CHECKED: AA 27OCT17		SINGLE MOTOR CABLE, M23 CHECKMATE, 1000V HYBRID CABLE WITH 4 POWER (18AWG), 2 FEEDBACK (DIGITAL COMMUNICATION), DRIVE-END FLYING LEADS	
ENGINEER: RO			
APPROVAL: WS 27OCT17			
MATERIAL SPECIFICATIONS:		CUSTOMER:	
PROCESS SPECIFICATIONS:		THIS DRAWING IS SUPPLIED FOR INFORMATION ONLY. DESIGN FEATURES, SPECIFICATIONS AND PERFORMANCE DATA SHOWN HEREON ARE THE PROPERTY OF THE AMPHENOL CORPORATION. NO RIGHTS OF REPRODUCTION ARE IMPLIED. ALL DIMENSIONS ARE SUBJECT TO NORMAL MANUFACTURING VARIATIONS.	
NEXT ASSY:		SIZE: C-	REVISION: A2
		SCALE: NONE	DWG NO: C-P30629
		SHEET 1	OF 1



DO NOT SCALE DRAWING

TITLE: CABLE ASSEMBLY
 DWG NO: C-P30629-Mxx
 REV: A1
 SH: 1
 OF: 1