



Chipsmall Limited consists of a professional team with an average of over 10 year of expertise in the distribution of electronic components. Based in Hongkong, we have already established firm and mutual-benefit business relationships with customers from,Europe,America and south Asia,supplying obsolete and hard-to-find components to meet their specific needs.

With the principle of “Quality Parts,Customers Priority,Honest Operation,and Considerate Service”,our business mainly focus on the distribution of electronic components. Line cards we deal with include Microchip,ALPS,ROHM,Xilinx,Pulse,ON,Everlight and Freescale. Main products comprise IC,Modules,Potentiometer,IC Socket,Relay,Connector.Our parts cover such applications as commercial,industrial, and automotives areas.

We are looking forward to setting up business relationship with you and hope to provide you with the best service and solution. Let us make a better world for our industry!



Contact us

Tel: +86-755-8981 8866 Fax: +86-755-8427 6832

Email & Skype: info@chipsmall.com Web: www.chipsmall.com

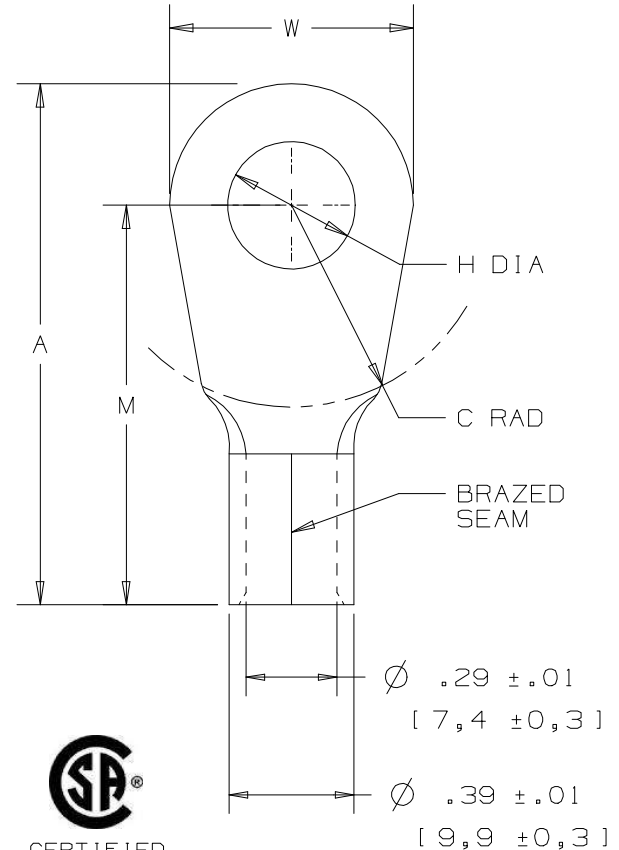
Address: A1208, Overseas Decoration Building, #122 Zhenhua RD., Futian, Shenzhen, China



THIS COPY IS PROVIDED ON A RESTRICTED BASIS AND IS NOT TO BE USED IN ANY WAY DETRIMENTAL TO THE INTERESTS OF PANDUIT CORP.

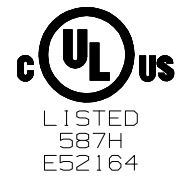
PANDUIT PART NUMBER	STUD SIZE	DIMENSIONS - in [mm]				
		A ± .03 [0,8]	W ± .01 [0,3]	C ± .02 [0,5]	M ± .03 [0,8]	H ± .01 [0,3]
P4-10R	#10	1.40 [35,6]	.55 [14,0]	.50 [12,7]	1.12 [28,5]	.20 [5,1]
P4-14R	1/4"	1.40 [35,6]	.55 [14,0]	.50 [12,7]	1.12 [28,5]	.27 [6,9]
P4-56R	5/16"	1.46 [37,1]	.68 [17,3]	.50 [12,7]	1.12 [28,5]	.33 [8,4]
P4-38R	3/8"	1.46 [37,1]	.68 [17,3]	.50 [12,7]	1.12 [28,5]	.39 [9,9]
P4-12R	1/2"	1.55 [39,4]	.86 [21,8]	.53 [13,5]	1.12 [28,5]	.52 [13,2]

UL & CSA TOOLS (DIES)
 CT-1701 (P4)
 CT-2600 (CD-2600-P4)



NOTES:

- UL LISTED AND CSA CERTIFIED FOR:
 A. 302°F (150°C) MAX TEMP RATING
 B. #4 AWG STRANDED COPPER WIRE
- SEE WWW.PANDUIT.COM FOR PACKAGE QUANTITIES
- MATERIAL:
 A. STAMPING - .05" [1,27] THK COPPER, TIN PLATED
- DIMENSIONS IN BRACKETS ARE IN MILLIMETERS
- WIRE STRIP LENGTH: 1/2" ^{+1/32} ₋₀ [12,7mm ^{+0,8} ₋₀]



TITLE #4 BARREL NON-INSULATED RING TONGUE CUSTOMER DRAWING												
ITEM REVISION NAME N41213BB/08	PANDUIT											
DATASET FILE NAME N41213BB/08												
UNLESS OTHERWISE SPECIFIED, DIMENSIONAL TOLERANCES ARE: IN [mm]												
.X ±	.XXX ±											
.XX ±	ANGLES ±											
THIRD ANGLE PROJECTION												
DRAWING NUMBER: A41213	MATERIAL: SEE NOTES											
REV	DATE	BY	CHK	APR	DESCRIPTION	ECN	DRAWN BY DAW	DATE	CHK	SCALE NONE	SHT 1 OF 1	SIZE A

B

B

A

A

D10100DA/16