



Chipsmall Limited consists of a professional team with an average of over 10 year of expertise in the distribution of electronic components. Based in Hongkong, we have already established firm and mutual-benefit business relationships with customers from,Europe,America and south Asia,supplying obsolete and hard-to-find components to meet their specific needs.

With the principle of "Quality Parts,Customers Priority,Honest Operation,and Considerate Service",our business mainly focus on the distribution of electronic components. Line cards we deal with include Microchip,ALPS,ROHM,Xilinx,Pulse,ON,Everlight and Freescale. Main products comprise IC,Modules,Potentiometer,IC Socket,Relay,Connector.Our parts cover such applications as commercial,industrial, and automotives areas.

We are looking forward to setting up business relationship with you and hope to provide you with the best service and solution. Let us make a better world for our industry!



## Contact us

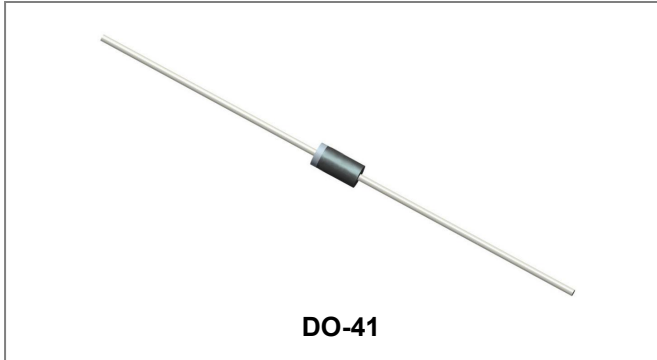
Tel: +86-755-8981 8866 Fax: +86-755-8427 6832

Email & Skype: info@chipsmall.com Web: www.chipsmall.com

Address: A1208, Overseas Decoration Building, #122 Zhenhua RD., Futian, Shenzhen, China



## P4KE SERIES TRANSIENT VOLTAGE SUPPRESSOR



### Features

- Glass Passivated Die Construction
- 400W Peak Pulse Power Dissipation
- 6.8V- 440V Standoff Voltage
- Uni- and Bi-Directional Versions Available
- Excellent Clamping Capability
- Fast Response Time
- Plastic Case Material has UL Flammability Classification Rating 94V-0
- This is a Pb – Free Device
- All SMC Parts are Traceable to the Wafer Lot
- Additional testing can be offered upon request

### Circuit Diagram



### Mechanical Data

- Case: JEDEC DO-41 Low Profile Molded Plastic
- Terminals: Solder Plated , Solderable per MIL-STD-202, Method 208
- Polarity: Cathode Band or Cathode Notch
- Weight:0.34 grams(approx.)

### Maximum Ratings and Thermal Characteristics@T<sub>A</sub>=25°C unless otherwise specified

Parameter	Symbol	Value	Unit
Peak Pulse Power Dissipation at T <sub>A</sub> =25°C (Fig.1)(Note 1, 2, 5)	P <sub>PPM</sub>	400	W
Peak Forward Surge Current, 8.3ms Single Half Sine Wave Fig.6 (Note 3)	I <sub>FSM</sub>	40	A
Peak Pulse Current on 10x1000µs Waveform(Fig.3)(Note 1)	I <sub>PPM</sub>	See Table 1	A
Steady State Power Dissipation( Note 2, 4)	P <sub>M(AV)</sub>	1	W
Typical Thermal Resistance Junction to Lead	R <sub>θJL</sub>	60	°C/W
Typical Thermal Resistance Junction to Ambient	R <sub>θJA</sub>	100	°C/W
Operating Junction and Storage Temperature Range	T <sub>J</sub> ,T <sub>STG</sub>	-65 to + 175	°C

- Notes:**
1. Non-repetitive current pulse, per Fig. 3 and derated above T<sub>A</sub> = 25°C per Fig. 2.
  2. Mounted on 40mm<sup>2</sup> copper pad.
  3. 8.3ms Single Half Sine Wave duty cycle = 4 pulses per minutes maximum
  4. Lead temperature at 75°C= T<sub>L</sub>
  3. Peak pulse power waveform is 10/1000µs.

**Electrical Characteristics @T<sub>A</sub>=25°C unless otherwise specified**

**UNI-DIRECTIONAL 400 WATT AXIAL LEAD TVS**

UNI-DIRECTIONAL PART NUMBER	REVERSE STAND-OFF VOLTAGE VRWM (V)	BREAKDOWN VOLTAGE VBR (V) MIN. @IT	BREAKDOWN VOLTAGE VBR (V) MAX. @IT	TEST CURRENT IT (mA)	MAXIMUM CLAMPING VOLTAGE @Ipp Vc (V)	PEAK PULSE CURRENT Ipp (A)	REVERSE LEAKAGE @VRWM IR (uA)
P4KE6.8	5.50	6.12	7.48	10	10.8	38.00	1000
P4KE6.8A	5.80	6.45	7.14	10	10.5	40.00	1000
P4KE7.5	6.05	6.75	8.25	10	11.7	36.00	500
P4KE7.5A	6.40	7.13	7.88	10	11.3	37.00	500
P4KE8.2	6.63	7.38	9.02	10	12.5	33.00	200
P4KE8.2A	7.02	7.79	8.61	10	12.1	35.00	200
P4KE9.1	7.37	8.19	10.00	1	13.8	30.00	50
P4KE9.1A	7.78	8.65	9.50	1	13.4	31.00	50
P4KE10	8.10	9.00	11.00	1	15.0	28.00	10
P4KE10A	8.55	9.50	10.50	1	14.5	29.00	10
P4KE11	8.92	9.90	12.10	1	16.2	26.00	5
P4KE11A	9.40	10.50	11.60	1	15.6	27.00	5
P4KE12	9.72	10.80	13.20	1	17.3	24.00	5
P4KE12A	10.20	11.40	12.60	1	16.7	25.00	5
P4KE13	10.50	11.70	14.30	1	19.0	22.00	5
P4KE13A	11.10	12.40	13.70	1	18.2	23.00	5
P4KE15	12.10	13.50	16.50	1	22.0	19.00	5
P4KE15A	12.80	14.30	15.80	1	21.2	20.00	5
P4KE16	12.90	14.40	17.60	1	23.5	18.00	5
P4KE16A	13.60	15.20	16.80	1	22.5	19.00	5
P4KE18	14.50	16.20	19.80	1	26.5	16.00	5
P4KE18A	15.30	17.10	18.90	1	25.2	17.00	5
P4KE20	16.20	18.00	22.00	1	29.1	14.00	5
P4KE20A	17.10	19.00	21.00	1	27.7	15.00	5
P4KE22	17.80	19.80	24.20	1	31.9	13.00	5
P4KE22A	18.80	20.90	23.10	1	30.6	14.00	5
P4KE24	19.40	21.60	26.40	1	34.7	12.00	5
P4KE24A	20.50	22.80	25.20	1	33.2	13.00	5
P4KE27	21.80	24.30	29.70	1	39.1	11.00	5
P4KE27A	23.10	25.70	28.40	1	37.5	11.20	5
P4KE30	24.30	27.00	33.00	1	43.5	10.00	5
P4KE30A	25.60	28.50	31.50	1	41.4	10.00	5
P4KE33	26.80	29.70	36.30	1	47.7	9.00	5
P4KE33A	28.20	31.40	34.70	1	45.7	9.00	5
P4KE36	29.10	32.40	39.60	1	52.0	8.00	5
P4KE36A	30.80	34.20	37.80	1	49.9	8.40	5
P4KE39	31.60	35.10	42.90	1	56.4	7.40	5
P4KE39A	33.30	37.10	41.00	1	53.9	7.80	5
P4KE43	34.80	38.70	47.30	1	61.9	6.80	5
P4KE43A	36.80	40.90	45.20	1	59.3	7.10	5
P4KE47	38.10	42.30	51.70	1	67.8	6.20	5
P4KE47A	40.20	44.70	49.40	1	64.8	5.00	5
P4KE51	41.30	45.90	56.10	1	73.5	5.70	5
P4KE51A	43.60	48.50	53.80	1	70.1	6.00	5
P4KE56	45.80	50.40	61.60	1	80.5	5.20	5
P4KE56A	47.80	53.20	58.80	1	77.0	5.50	5
P4KE62	50.20	55.80	68.20	1	89.0	4.70	5
P4KE62A	53.00	58.90	65.10	1	85.0	5.00	5
P4KE68	55.10	61.20	74.80	1	98.0	4.30	5
P4KE68A	58.10	64.60	71.40	1	92.0	4.60	5
P4KE75	60.70	67.50	82.50	1	108.0	3.90	5
P4KE75A	64.10	71.30	78.80	1	103.0	4.10	5
P4KE82	66.40	73.80	90.20	1	118.0	3.60	5
P4KE82A	70.10	77.90	86.10	1	113.0	3.70	5
P4KE91	73.70	81.90	100.00	1	131.0	3.20	5
P4KE91A	77.80	86.50	95.50	1	125.0	3.40	5
P4KE100	81.00	90.00	110.00	1	144.0	2.90	5
P4KE100A	85.50	95.00	105.00	1	137.0	3.10	5
P4KE110	89.20	99.00	121.00	1	158.0	2.70	5
P4KE110A	94.00	105.00	116.00	1	152.0	2.80	5
P4KE120	97.20	108.00	132.00	1	173.0	2.40	5
P4KE120A	102.00	114.00	126.00	1	165.0	2.50	5
P4KE130	105.00	117.00	143.00	1	187.0	2.20	5
P4KE130A	111.00	124.00	137.00	1	179.0	2.30	5
P4KE150	121.00	135.00	165.00	1	215.0	2.00	5
P4KE150A	128.00	143.00	158.00	1	207.0	2.00	5
P4KE160	130.00	144.00	176.00	1	230.0	1.80	5
P4KE160A	136.00	152.00	168.00	1	219.0	1.90	5
P4KE170	138.00	153.00	187.00	1	244.0	1.70	5
P4KE170A	145.00	162.00	179.00	1	234.0	1.80	5
P4KE180	146.00	162.00	198.00	1	258.0	1.60	5
P4KE180A	154.00	171.00	189.00	1	246.0	1.70	5
P4KE200	162.00	180.00	220.00	1	287.0	1.50	5
P4KE200A	171.00	190.00	210.00	1	274.0	1.50	5
P4KE220	175.00	198.00	242.00	1	344.0	1.20	5
P4KE220A	185.00	209.00	231.00	1	328.0	1.20	5
P4KE250	202.00	225.00	275.00	1	360.0	1.10	5
P4KE250A	214.00	237.00	263.00	1	344.0	1.20	5
P4KE300	243.00	270.00	330.00	1	430.0	0.90	5
P4KE300A	256.00	285.00	315.00	1	414.0	1.00	5
P4KE350	284.00	315.00	385.00	1	504.0	0.80	5
P4KE350A	300.00	332.00	368.00	1	482.0	0.80	5
P4KE400	324.00	360.00	440.00	1	574.0	0.70	5
P4KE400A	342.00	380.00	420.00	1	548.0	0.70	5
P4KE440	356.00	396.00	484.00	1	631.0	1.00	5
P4KE440A	376.00	418.00	462.00	1	600.0	1.00	5

"C" Suffix Designates Bi-directional Devices  
 "A" Suffix Designates 5% Tolerance Devices  
 No Suffix Designates 10% Tolerance Devices

- China - Germany - Korea - Singapore - United States •
- <http://www.smc-diodes.com> - [sales@smc-diodes.com](mailto:sales@smc-diodes.com) •

**Technical Data**  
**Data Sheet N0220, Rev. B**



**BI-DIRECTIONAL 400 WATT AXIAL LEAD TVS**

BI-DIRECTIONAL PART NUMBER	REVERSE STAND-OFF VOLTAGE VRWM (V)	BREAKDOWN VOLTAGE VBR (V) MIN. @IT	BREAKDOWN VOLTAGE VBR (V) MAX. @IT	TEST CURRENT IT (mA)	MAXIMUM CLAMPING VOLTAGE @Ipp Vc (V)	PEAK PULSE CURRENT Ipp (A)	REVERSE LEAKAGE @VRWM IR (uA)
P4KE6.8C	5.50	6.12	7.48	10	10.8	38.00	2000
P4KE6.8CA	5.80	6.45	7.14	10	10.5	40.00	2000
P4KE7.5C	6.05	6.75	8.25	10	11.7	36.00	1000
P4KE7.5CA	6.40	7.13	7.88	10	11.3	37.00	1000
P4KE8.2C	6.63	7.38	9.02	10	12.5	33.00	400
P4KE8.2CA	7.02	7.79	8.61	10	12.1	35.00	400
P4KE9.1C	7.37	8.19	10.00	1	13.8	30.00	10
P4KE9.1CA	7.78	8.65	9.50	1	13.4	31.00	10
P4KE10C	8.10	9.00	11.00	1	15.0	28.00	20
P4KE10CA	8.55	9.50	10.50	1	14.5	29.00	20
P4KE11C	8.92	9.90	12.10	1	16.2	26.00	10
P4KE11CA	9.40	10.50	11.60	1	15.6	27.00	10
P4KE12C	9.72	10.80	13.20	1	17.3	24.00	5
P4KE12CA	10.20	11.40	12.60	1	16.7	25.00	5
P4KE13C	10.50	11.70	14.30	1	19.0	22.00	5
P4KE13CA	11.10	12.40	13.70	1	18.2	23.00	5
P4KE15C	12.10	13.50	16.50	1	22.0	19.00	5
P4KE15CA	12.80	14.30	15.80	1	21.2	20.00	5
P4KE16C	12.90	14.40	17.60	1	23.5	18.00	5
P4KE16CA	13.60	15.20	16.80	1	22.5	19.00	5
P4KE18C	14.50	16.20	19.80	1	26.5	16.00	5
P4KE18CA	15.30	17.10	18.90	1	25.2	17.00	5
P4KE20C	16.20	18.00	22.00	1	29.1	14.00	5
P4KE20CA	17.10	19.00	21.00	1	27.7	15.00	5
P4KE22C	17.80	19.80	24.20	1	31.9	13.00	5
P4KE22CA	18.80	20.90	23.10	1	30.6	14.00	5
P4KE24C	19.40	21.60	26.40	1	34.7	12.00	5
P4KE24CA	20.50	22.80	25.20	1	33.2	13.00	5
P4KE27C	21.80	24.30	29.70	1	39.1	11.00	5
P4KE27CA	23.10	25.70	28.40	1	37.5	11.20	5
P4KE30C	24.30	27.00	33.00	1	43.5	10.00	5
P4KE30CA	25.60	28.50	31.50	1	41.4	10.00	5
P4KE33C	26.80	29.70	36.30	1	47.7	9.00	5
P4KE33CA	28.20	31.40	34.70	1	45.7	9.00	5
P4KE36C	29.10	32.40	39.60	1	52.0	8.00	5
P4KE36CA	30.80	34.20	37.80	1	49.9	8.40	5
P4KE39C	31.60	35.10	42.90	1	56.4	7.40	5
P4KE39CA	33.30	37.10	41.00	1	53.9	7.80	5
P4KE43C	34.80	38.70	47.30	1	61.9	6.80	5
P4KE43CA	36.80	40.90	45.20	1	59.3	7.10	5
P4KE47C	38.10	42.30	51.70	1	67.8	6.20	5
P4KE47CA	40.20	44.70	49.40	1	64.8	5.00	5
P4KE51C	41.30	45.90	56.10	1	73.5	5.70	5
P4KE51CA	43.60	48.50	53.60	1	70.1	6.00	5
P4KE56C	45.60	50.40	61.60	1	80.5	5.20	5
P4KE56CA	47.80	53.20	58.80	1	77.0	5.50	5
P4KE62C	50.20	55.80	68.20	1	89.0	4.70	5
P4KE62CA	53.00	58.90	65.10	1	85.0	5.00	5
P4KE68C	55.10	61.20	74.80	1	98.0	4.30	5
P4KE68CA	58.10	64.60	71.40	1	92.0	4.60	5
P4KE75C	60.70	67.50	82.50	1	108.0	3.90	5
P4KE75CA	64.10	71.30	78.80	1	103.0	4.10	5
P4KE82C	66.40	73.80	90.20	1	118.0	3.60	5
P4KE82CA	70.10	77.90	86.10	1	113.0	3.70	5
P4KE91C	73.70	81.90	100.00	1	131.0	3.20	5
P4KE91CA	77.80	86.50	95.50	1	125.0	3.40	5
P4KE100C	81.00	90.00	110.00	1	144.0	2.90	5
P4KE100CA	85.50	95.00	105.00	1	137.0	3.10	5
P4KE110C	89.20	99.00	121.00	1	158.0	2.70	5
P4KE110CA	94.00	105.00	116.00	1	152.0	2.80	5
P4KE120C	97.20	108.00	132.00	1	173.0	2.40	5
P4KE120CA	102.00	114.00	126.00	1	165.0	2.50	5
P4KE130C	105.00	117.00	143.00	1	187.0	2.20	5
P4KE130CA	111.00	124.00	137.00	1	179.0	2.30	5
P4KE150C	121.00	135.00	165.00	1	215.0	2.00	5
P4KE150CA	128.00	143.00	158.00	1	207.0	2.00	5
P4KE160C	130.00	144.00	176.00	1	230.0	1.80	5
P4KE160CA	136.00	152.00	168.00	1	219.0	1.90	5
P4KE170C	138.00	153.00	187.00	1	244.0	1.70	5
P4KE170CA	145.00	162.00	179.00	1	234.0	1.80	5
P4KE180C	146.00	162.00	198.00	1	258.0	1.60	5
P4KE180CA	154.00	171.00	189.00	1	246.0	1.70	5
P4KE200C	162.00	180.00	220.00	1	287.0	1.50	5
P4KE200CA	171.00	190.00	210.00	1	274.0	1.53	5
P4KE220C	175.00	198.00	242.00	1	344.0	1.16	5
P4KE220CA	185.00	209.00	231.00	1	328.0	1.22	5
P4KE250C	202.00	225.00	275.00	1	360.0	1.11	5
P4KE250CA	214.00	237.00	263.00	1	344.0	1.16	5
P4KE300C	243.00	270.00	330.00	1	430.0	0.93	5
P4KE300CA	256.00	285.00	315.00	1	414.0	0.97	5
P4KE350C	284.00	315.00	385.00	1	504.0	0.79	5
P4KE350CA	300.00	332.00	368.00	1	482.0	0.83	5
P4KE400C	324.00	360.00	440.00	1	574.0	0.70	5
P4KE400CA	342.00	380.00	420.00	1	548.0	0.73	5
P4KE440C	356.00	396.00	484.00	1	631.0	0.95	5
P4KE440CA	376.00	418.00	462.00	1	600.0	1.00	5

"C" Suffix Designates Bi-directional Devices  
 "A" Suffix Designates 5% Tolerance Devices  
 No Suffix Designates 10% Tolerance Devices

- China - Germany - Korea - Singapore - United States •
- <http://www.smc-diodes.com> - [sales@smc-diodes.com](mailto:sales@smc-diodes.com) •

**Ratings and Characteristics Curves**

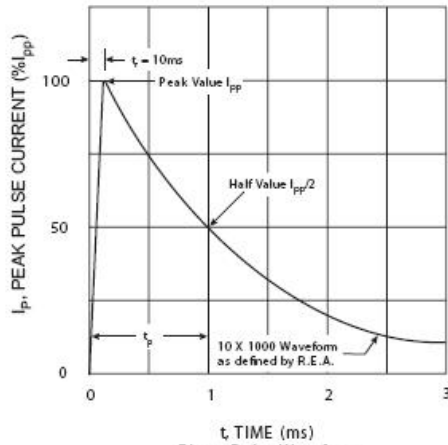


Fig. 1 Pulse Waveform

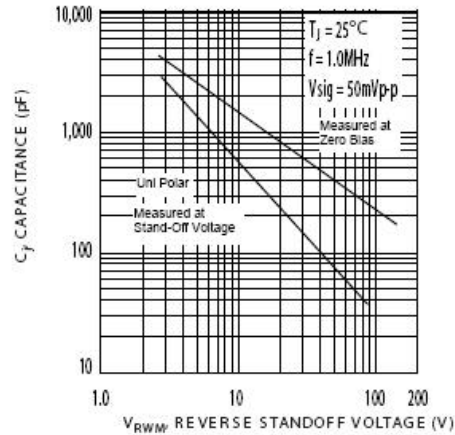


Fig. 2 Typical Junction Capacitance

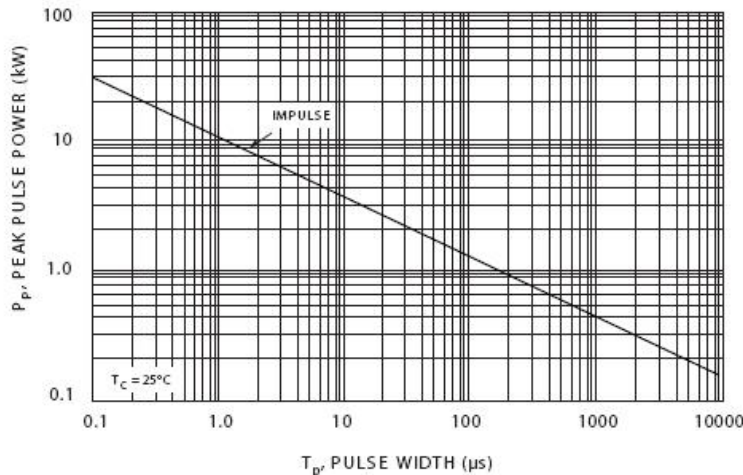


Fig. 3 Pulse Rating Curve

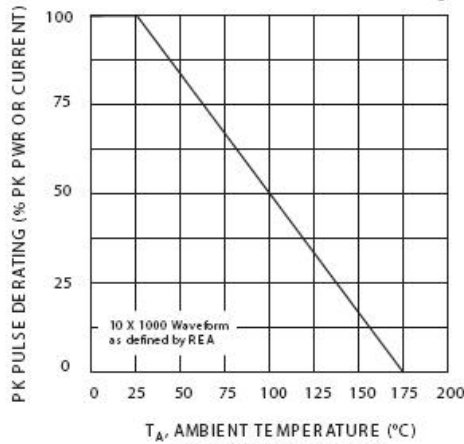


Fig. 4 Pulse Derating Curve

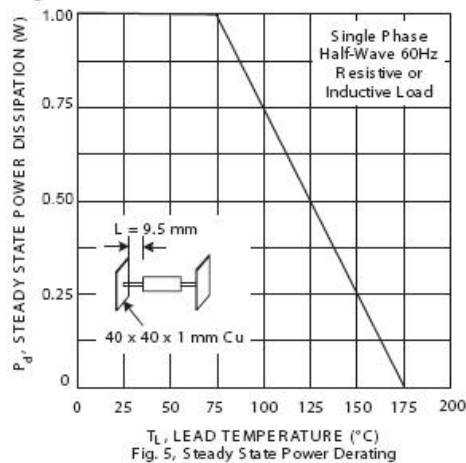
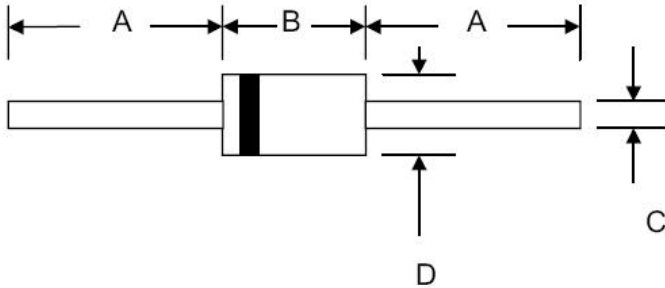


Fig. 5, Steady State Power Derating

**Mechanical Dimensions DO-41**



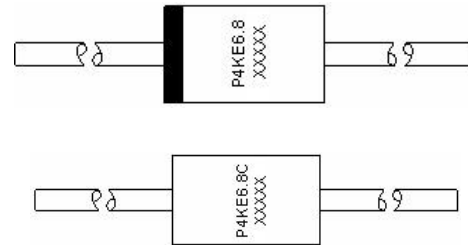
SYMBOL	Millimeters		Inches	
	Min.	Max.	Min.	Max.
A	25.4	-	1.000	-
B	4.06	5.21	0.160	0.205
C	0.71	0.864	0.028	0.034
D	2.00	2.72	0.079	0.107

**Ordering Information**

Device	Package	Shipping
P4KE SERIES	DO-41 (Pb-Free)	5000pcs / tape

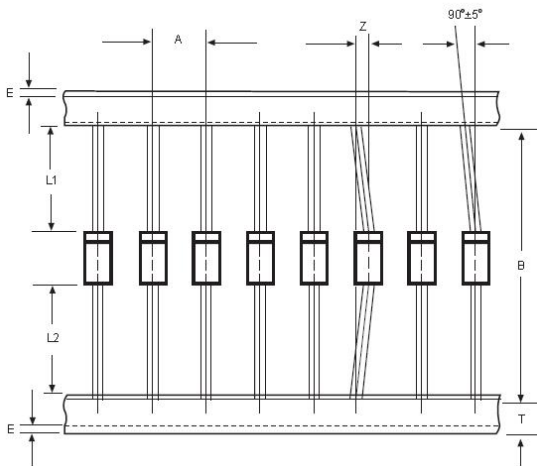
For information on tape and reel specifications, including part orientation and tape sizes, please refer to our tape and reel packaging specification.

**Marking Diagram**



P4KE6.8A/P4KE6.8CA = Part Name

**Carrier Tape Specification DO-41**



SYMBOL	Millimeters	
	Min.	Max.
A	4.50	5.50
B	50.9	53.9
Z	-	1.20
T	5.60	6.40
E	-	0.80
IL1-L2I	-	1.0

**DISCLAIMER:**

1- The information given herein, including the specifications and dimensions, is subject to change without prior notice to improve product characteristics. Before ordering, purchasers are advised to contact the SMC - Sangdest Microelectronics (Nanjing) Co., Ltd sales department for the latest version of the datasheet(s).

2- In cases where extremely high reliability is required (such as use in nuclear power control, aerospace and aviation, traffic equipment, medical equipment, and safety equipment), safety should be ensured by using semiconductor devices that feature assured safety or by means of users' fail-safe precautions or other arrangement.

3- In no event shall SMC - Sangdest Microelectronics (Nanjing) Co., Ltd be liable for any damages that may result from an accident or any other cause during operation of the user's units according to the datasheet(s). SMC - Sangdest Microelectronics (Nanjing) Co., Ltd assumes no responsibility for any intellectual property claims or any other problems that may result from applications of information, products or circuits described in the datasheets.

4- In no event shall SMC - Sangdest Microelectronics (Nanjing) Co., Ltd be liable for any failure in a semiconductor device or any secondary damage resulting from use at a value exceeding the absolute maximum rating.

5- No license is granted by the datasheet(s) under any patents or other rights of any third party or SMC - Sangdest Microelectronics (Nanjing) Co., Ltd.

6- The datasheet(s) may not be reproduced or duplicated, in any form, in whole or part, without the expressed written permission of SMC - Sangdest Microelectronics (Nanjing) Co., Ltd.

7- The products (technologies) described in the datasheet(s) are not to be provided to any party whose purpose in their application will hinder maintenance of international peace and safety nor are they to be applied to that purpose by their direct purchasers or any third party. When exporting these products (technologies), the necessary procedures are to be taken in accordance with related laws and regulations..