



Chipsmall Limited consists of a professional team with an average of over 10 year of expertise in the distribution of electronic components. Based in Hongkong, we have already established firm and mutual-benefit business relationships with customers from,Europe,America and south Asia,supplying obsolete and hard-to-find components to meet their specific needs.

With the principle of “Quality Parts,Customers Priority,Honest Operation,and Considerate Service”,our business mainly focus on the distribution of electronic components. Line cards we deal with include Microchip,ALPS,ROHM,Xilinx,Pulse,ON,Everlight and Freescale. Main products comprise IC,Modules,Potentiometer,IC Socket,Relay,Connector.Our parts cover such applications as commercial,industrial, and automotives areas.

We are looking forward to setting up business relationship with you and hope to provide you with the best service and solution. Let us make a better world for our industry!



## Contact us

Tel: +86-755-8981 8866 Fax: +86-755-8427 6832

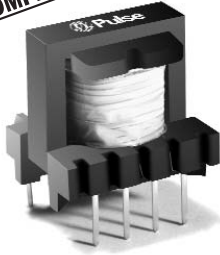
Email & Skype: info@chipsmall.com Web: www.chipsmall.com

Address: A1208, Overseas Decoration Building, #122 Zhenhua RD., Futian, Shenzhen, China



# POWER TRANSFORMERS

## For TinySwitch™ TNY253, TNY254 and TNY255



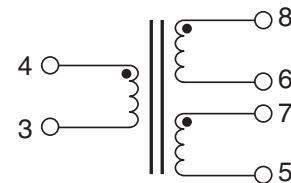
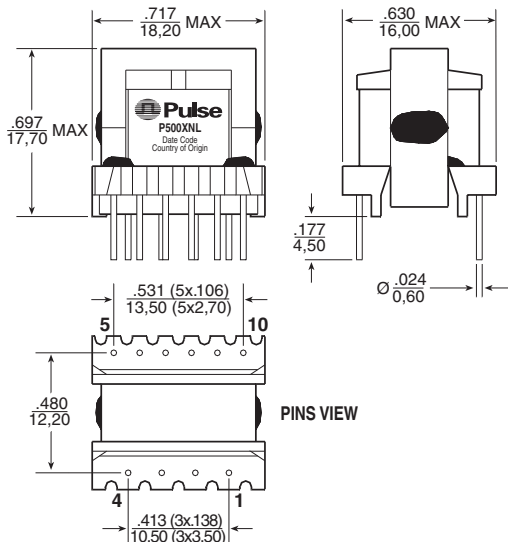
- Designed for use with Power Integration TNY253, TNY254 and TNY255 in low cost AC to DC converters for a large range of applications
- 4000 Vrms isolation
- Materials meet UL 94V-0 and IEC 950
- No audible noise
- Only two parts to cover a large range of output voltage

### Electrical Specifications @ 25°C — Operating Temperature -30°C to +110°C

Part Number	Turns Ratio	Leakage Inductance (μH)	Matched To	Power	Applications
P5000NL	1:0.07:0.07	180 MAX	TNY253	Up to 2 W	AC: 85 to 265 Vac, 2 DC outputs from 3.3 Vdc up to 6 Vdc or 1 DC output from 6 Vdc up to 12 Vdc
P5001NL	1:0.1:0.1	180 MAX			AC: 85 to 265 Vac, 2 DC outputs from 6 Vdc up to 12 Vdc or 1 DC output from 12 Vdc up to 24 Vdc
P5004NL	1:0.07:0.07	200 MAX	TNY254	Up to 4 W	AC: 85 to 265 Vac, 2 DC outputs from 3.3 Vdc up to 5.5 Vdc or 1 DC output from 6 Vdc up to 12 Vdc
P5005NL	1:0.1:0.1	200 MAX			AC: 85 to 265 Vac, 2 DC outputs from 6 Vdc up to 10 Vdc or 1 DC output from 12 Vdc up to 24 Vdc
P5008NL	1:0.07:0.07	100 MAX	TNY255	Up to 5.5 W	AC: 85 to 265 Vac, 2 DC outputs from 3.3 Vdc up to 6 Vdc or 1 DC output from 6 Vdc up to 18 Vdc
P5009NL	1:0.1:0.1	100 MAX			AC: 85 to 265 Vac, 2 DC outputs from 6 Vdc up to 12 Vdc or 1 DC output from 12 Vdc up to 24 Vdc

### Mechanical

### Schematic



Weight . . . . .6.7 grams

Tray . . . . .40/tray

Dimensions: Inches  
mm

Unless otherwise specified, all tolerances are ± .010  
0,25

### For More Information:

#### Pulse Worldwide Headquarters

12220 World Trade Dr.  
San Diego, CA 92128  
U.S.A.  
[www.pulseeng.com](http://www.pulseeng.com)

Tel: 858 674 8100  
Fax: 858 674 8262

#### Pulse Europe

Einsteinstrasse 1  
D-71083 Herrenberg  
Germany

Tel: 49 7032 7806 0  
Fax: 49 7032 7806 12

#### Pulse China Headquarters

B402, Shenzhen  
Tech-Innovation International  
Tenth Kejinan Rd.  
High-Tech Industrial Park  
Nanshan District, Shenzhen  
China

Tel: 86 755 33966678  
Fax: 86 755 33966700

#### Pulse North China

Room 1503  
XinYin Building  
No. 888 YiShan Rd.  
Shanghai 200233  
China

Tel: 86 21 54643211/2  
Fax: 86 21 54643210

#### Pulse South Asia

150 Kampong Ampat  
#07-01/02  
KA Centre  
Singapore 368324

Tel: 65 6287 8998  
Fax: 65 6280 0080

#### Pulse North Asia

No. 26  
Kao Ching Rd.  
Yang Mei Chen  
Tao Yuan Hsien  
Taiwan, R. O. C.

Tel: 886 3 4641811  
Fax: 886 3 4641911

Performance warranty of products offered on this data sheet is limited to the parameters specified. Data is subject to change without notice. Other brand and product names mentioned herein may be trademarks or registered trademarks of their respective owners. © Copyright, 2007. Pulse Engineering, Inc. All rights reserved.