



Chipsmall Limited consists of a professional team with an average of over 10 year of expertise in the distribution of electronic components. Based in Hongkong, we have already established firm and mutual-benefit business relationships with customers from,Europe,America and south Asia,supplying obsolete and hard-to-find components to meet their specific needs.

With the principle of “Quality Parts,Customers Priority,Honest Operation,and Considerate Service”,our business mainly focus on the distribution of electronic components. Line cards we deal with include Microchip,ALPS,ROHM,Xilinx,Pulse,ON,Everlight and Freescale. Main products comprise IC,Modules,Potentiometer,IC Socket,Relay,Connector.Our parts cover such applications as commercial,industrial, and automotives areas.

We are looking forward to setting up business relationship with you and hope to provide you with the best service and solution. Let us make a better world for our industry!



Contact us

Tel: +86-755-8981 8866 Fax: +86-755-8427 6832

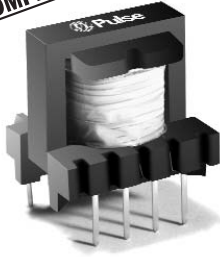
Email & Skype: info@chipsmall.com Web: www.chipsmall.com

Address: A1208, Overseas Decoration Building, #122 Zhenhua RD., Futian, Shenzhen, China



POWER TRANSFORMERS

For TinySwitch™ TNY253, TNY254 and TNY255



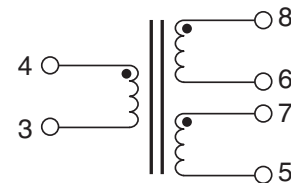
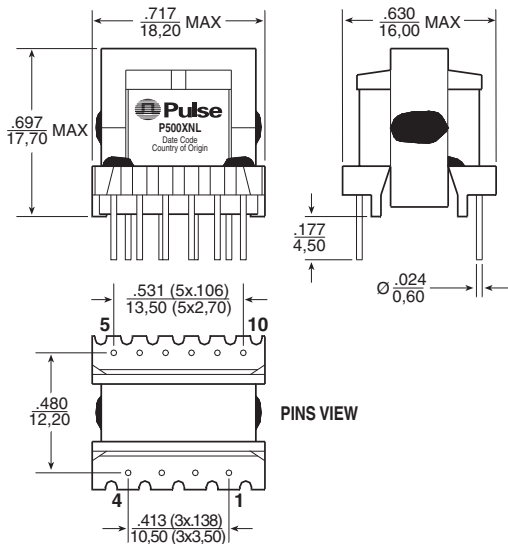
- Designed for use with Power Integration TNY253, TNY254 and TNY255 in low cost AC to DC converters for a large range of applications
- 4000 Vrms isolation
- Materials meet UL 94V-0 and IEC 950
- No audible noise
- Only two parts to cover a large range of output voltage

Electrical Specifications @ 25°C — Operating Temperature -30°C to +110°C

| Part Number | Turns Ratio | Leakage Inductance (μH) | Matched To | Power | Applications |
|-------------|-------------|-------------------------|------------|-------------|---|
| P5000NL | 1:0.07:0.07 | 180 MAX | TNY253 | Up to 2 W | AC: 85 to 265 Vac, 2 DC outputs from 3.3 Vdc up to 6 Vdc or 1 DC output from 6 Vdc up to 12 Vdc |
| P5001NL | 1:0.1:0.1 | 180 MAX | | | AC: 85 to 265 Vac, 2 DC outputs from 6 Vdc up to 12 Vdc or 1 DC output from 12 Vdc up to 24 Vdc |
| P5004NL | 1:0.07:0.07 | 200 MAX | TNY254 | Up to 4 W | AC: 85 to 265 Vac, 2 DC outputs from 3.3 Vdc up to 5.5 Vdc or 1 DC output from 6 Vdc up to 12 Vdc |
| P5005NL | 1:0.1:0.1 | 200 MAX | | | AC: 85 to 265 Vac, 2 DC outputs from 6 Vdc up to 10 Vdc or 1 DC output from 12 Vdc up to 24 Vdc |
| P5008NL | 1:0.07:0.07 | 100 MAX | TNY255 | Up to 5.5 W | AC: 85 to 265 Vac, 2 DC outputs from 3.3 Vdc up to 6 Vdc or 1 DC output from 6 Vdc up to 18 Vdc |
| P5009NL | 1:0.1:0.1 | 100 MAX | | | AC: 85 to 265 Vac, 2 DC outputs from 6 Vdc up to 12 Vdc or 1 DC output from 12 Vdc up to 24 Vdc |

Mechanical

Schematic



Weight6.7 grams

Tray40/tray

Dimensions: Inches
mm

Unless otherwise specified, all tolerances are ± .010
0.25

For More Information:

Pulse Worldwide Headquarters

12220 World Trade Dr.
San Diego, CA 92128
U.S.A.
www.pulseeng.com

Tel: 858 674 8100
Fax: 858 674 8262

Pulse Europe

Einsteinstrasse 1
D-71083 Herrenberg
Germany

Tel: 49 7032 7806 0
Fax: 49 7032 7806 12

Pulse China Headquarters

B402, Shenzhen
Tech-Innovation International
Tenth Kejian Rd.
High-Tech Industrial Park
Nanshan District, Shenzhen
China

Tel: 86 755 33966678
Fax: 86 755 33966700

Pulse North China

Room 1503
XinYin Building
No. 888 YiShan Rd.
Shanghai 200233
China

Tel: 86 21 54643211/2
Fax: 86 21 54643210

Pulse South Asia

150 Kampong Ampat
#07-01/02
KA Centre
Singapore 368324

Tel: 65 6287 8998
Fax: 65 6280 0080

Pulse North Asia

No. 26
Kao Ching Rd.
Yang Mei Chen
Tao Yuan Hsien
Taiwan, R. O. C.

Tel: 886 3 4641811
Fax: 886 3 4641911

Performance warranty of products offered on this data sheet is limited to the parameters specified. Data is subject to change without notice. Other brand and product names mentioned herein may be trademarks or registered trademarks of their respective owners. © Copyright, 2007. Pulse Engineering, Inc. All rights reserved.