



Chipsmall Limited consists of a professional team with an average of over 10 year of expertise in the distribution of electronic components. Based in Hongkong, we have already established firm and mutual-benefit business relationships with customers from,Europe,America and south Asia,supplying obsolete and hard-to-find components to meet their specific needs.

With the principle of “Quality Parts,Customers Priority,Honest Operation,and Considerate Service”,our business mainly focus on the distribution of electronic components. Line cards we deal with include Microchip,ALPS,ROHM,Xilinx,Pulse,ON,Everlight and Freescale. Main products comprise IC,Modules,Potentiometer,IC Socket,Relay,Connector.Our parts cover such applications as commercial,industrial, and automotives areas.

We are looking forward to setting up business relationship with you and hope to provide you with the best service and solution. Let us make a better world for our industry!



## Contact us

Tel: +86-755-8981 8866 Fax: +86-755-8427 6832

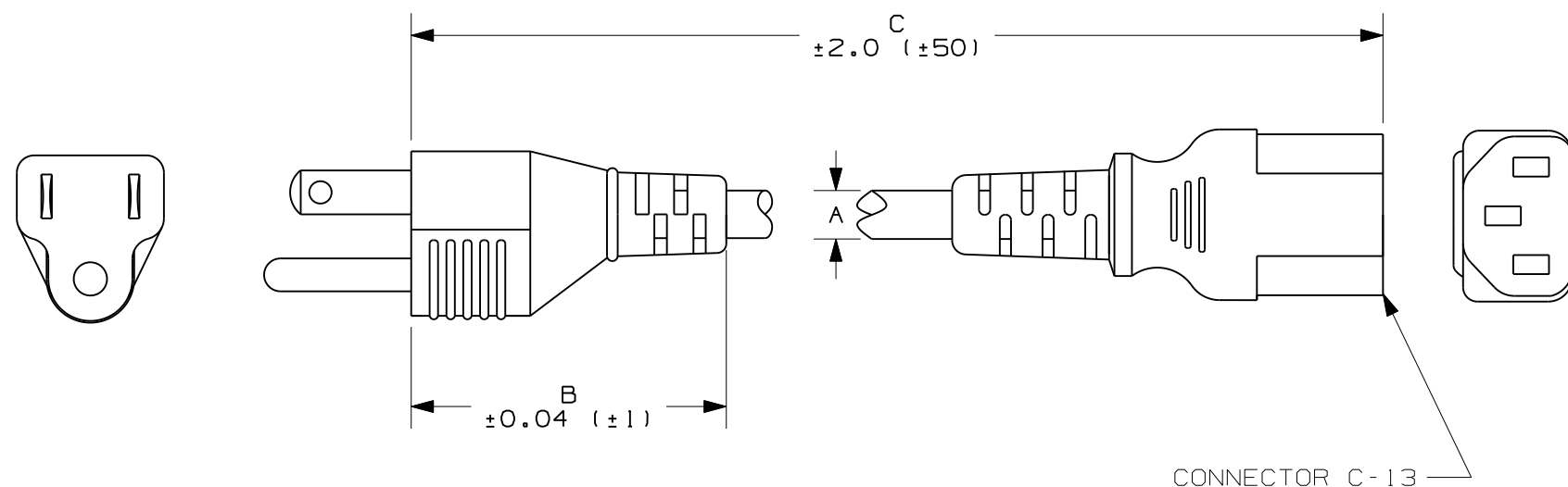
Email & Skype: info@chipsmall.com Web: www.chipsmall.com

Address: A1208, Overseas Decoration Building, #122 Zhenhua RD., Futian, Shenzhen, China



THIS COPY IS PROVIDED ON A RESTRICTED BASIS AND IS NOT TO BE USED IN ANY WAY DETRIMENTAL TO THE INTERESTS OF PANDUIT CORP.

PART #	COLOR	A (REF) IN (mm)	B IN (mm)	C IN (mm)	APPROXIMATE WEIGHT LBS. (g)
P515C13BL1.5	BLACK	0.25 (6.3)	1.77 (45.0)	18 (460)	0.18 (82)
P515C13BL3				37 (950)	0.24 (111)
P515C13BL6				72 (1830)	0.36 (165)
P515C13GY3	GRAY	0.25 (6.3)	1.77 (45.0)	37 (950)	0.24 (111)
P515C13GY6				72 (1830)	0.36 (165)



NOTES:

- SEE [www.panduit.com](http://www.panduit.com) FOR PART NUMBER SUFFIX DESIGNATION FOR PACKAGE SIZE.
- RATING: 10A/125V AC.
- CORD ASSEMBLY HAS THESE APPROVALS: UL, CSA OR cUL.
- PRODUCT IS RoHS COMPLIANT.

REV	DATE	BY	CHK	DESCRIPTION	ECN	R	CUST	SUP	QC
01A	7-19-12	DBLA	DJW	INITIAL DRAWING RELEASE	GAENC00093	OO	KLN		

CAD FILENAME/LAYERS 11K026BC_DC/01A	
<h1>PANDUIT</h1> CORP TINLEY PARK, ILLINOIS CUSTOMER DRAWING NEMA 5-15P TO IEC60320-C13 POWER CORD	
UNLESS OTHERWISE SPECIFIED, DIMENSIONAL TOLERANCES ARE: (.X) ± .1 (.XXX) ± .005 (.XX) ± .01 ANGLES ± 5°	UNLESS OTHERWISE SPECIFIED, ALL DIMENSIONS ARE GIVEN IN INCHES, THIRD ANGLE PROJECTION
DRAWN BY RVU DATE 5/22/12 CHK'D KLN	MAT'L: SEE NOTES
SCALE 1 : 1	DRAWING NO. 11K026BC-DC DWG SIZE B