



Chipsmall Limited consists of a professional team with an average of over 10 year of expertise in the distribution of electronic components. Based in Hongkong, we have already established firm and mutual-benefit business relationships with customers from,Europe,America and south Asia,supplying obsolete and hard-to-find components to meet their specific needs.

With the principle of “Quality Parts,Customers Priority,Honest Operation,and Considerate Service”,our business mainly focus on the distribution of electronic components. Line cards we deal with include Microchip,ALPS,ROHM,Xilinx,Pulse,ON,Everlight and Freescale. Main products comprise IC,Modules,Potentiometer,IC Socket,Relay,Connector.Our parts cover such applications as commercial,industrial, and automotives areas.

We are looking forward to setting up business relationship with you and hope to provide you with the best service and solution. Let us make a better world for our industry!



## Contact us

Tel: +86-755-8981 8866 Fax: +86-755-8427 6832

Email & Skype: info@chipsmall.com Web: www.chipsmall.com

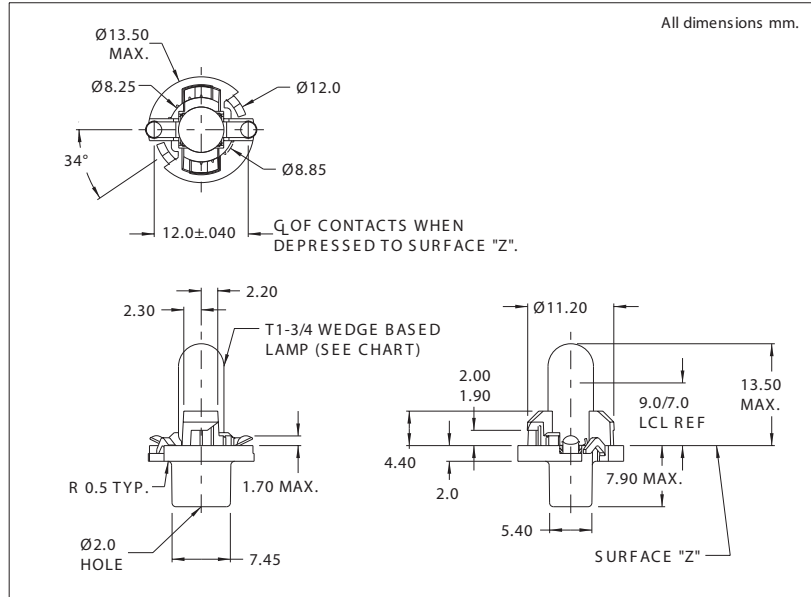
Address: A1208, Overseas Decoration Building, #122 Zhenhua RD., Futian, Shenzhen, China





## 5565 Series Relampable Socket

### DESCRIPTION AND FEATURES



Mounting: Printed circuit board, twist-in

Mounting pattern on page SP2.

Contacts: C68800 copper alloy

Housing: Nylon

Lamp: T-1 3/4

LAMP VERSION		
SOCKET COLOR	LAMP TRADE NO.	CML PART NO.
BLACK	37	55650703
GREY	37	55650303
GREY	73	55650403
BLUE	73	55651003
GREY	74	55650503
GREEN	74	55651103
BLACK	74	55650803
GREY	86	55650603
BLACK	103	55650903
RED	103	55651203
NO LAMP VERSION		
BLACK	-	55650702
BLUE	-	55651002
GREY	-	55650202
GREEN	-	55651102
RED	-	55651202