



Chipsmall Limited consists of a professional team with an average of over 10 year of expertise in the distribution of electronic components. Based in Hongkong, we have already established firm and mutual-benefit business relationships with customers from,Europe,America and south Asia,supplying obsolete and hard-to-find components to meet their specific needs.

With the principle of “Quality Parts,Customers Priority,Honest Operation,and Considerate Service”,our business mainly focus on the distribution of electronic components. Line cards we deal with include Microchip,ALPS,ROHM,Xilinx,Pulse,ON,Everlight and Freescale. Main products comprise IC,Modules,Potentiometer,IC Socket,Relay,Connector.Our parts cover such applications as commercial,industrial, and automotives areas.

We are looking forward to setting up business relationship with you and hope to provide you with the best service and solution. Let us make a better world for our industry!



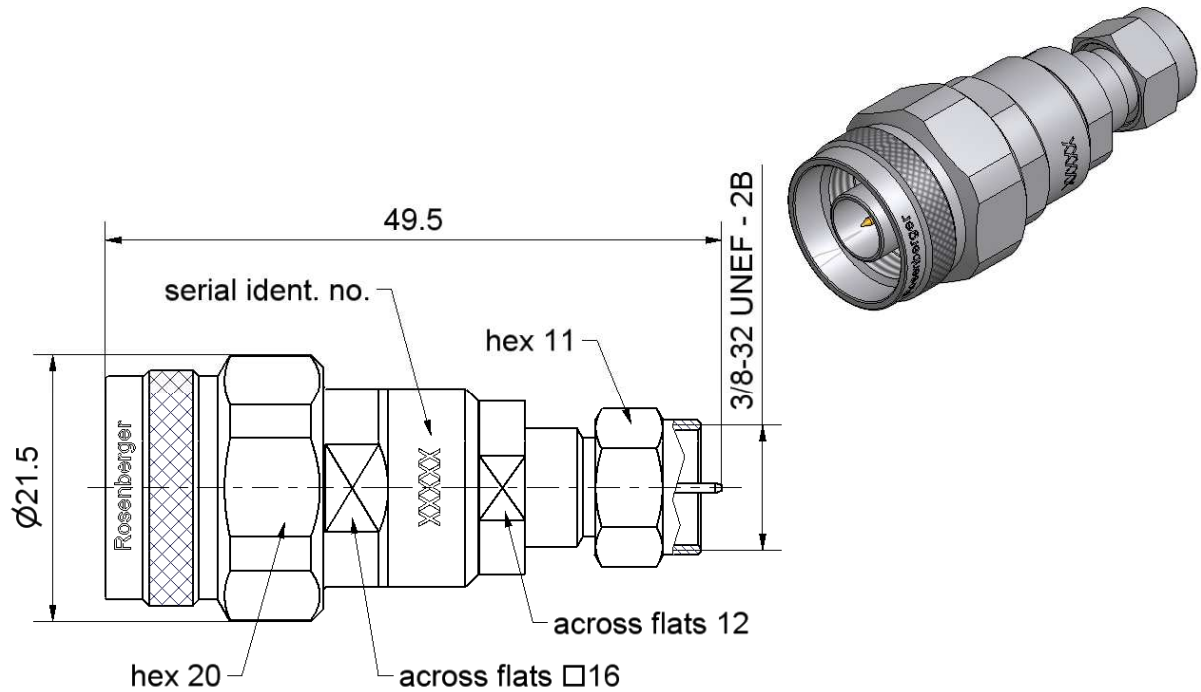
## Contact us

Tel: +86-755-8981 8866 Fax: +86-755-8427 6832

Email & Skype: info@chipsmall.com Web: www.chipsmall.com

Address: A1208, Overseas Decoration Building, #122 Zhenhua RD., Futian, Shenzhen, China





All dimensions are in mm; tolerances according to ISO 2768 m-H

**Interface**

RPC-N 75 Ω according to  
F 75 Ω according to

IEC 61169-16  
IEC 169-24 ; EIA-550

**Documents**

Application note

AN001 "Calibration Services"

**Material and plating**

**Connector parts**

- Center conductor
- Outer conductor
- Coupling nut
- Dielectric

**Material**

- CuBe
- Stainless steel
- Stainless steel
- PS

**Plating**

- Gold, min. 1.27 µm, over nickel
- Passivated
- Passivated

Dieses Dokument ist urheberrechtlich geschützt • This document is protected by copyright • Rosenberger Hochfrequenztechnik GmbH & Co. KG

RF\_35/09;14/6.2

**Electrical data**

Frequency DC to 4 GHz  
Return loss ≥ 32 dB, DC to 3 GHz  
≥ 28 dB, 3 GHz to 4 GHz

**Mechanical data**

Mating cycles ≥ 500

	RPC-N 75 Ω	F 75 Ω
Maximum torque	1.70 Nm	6.78 Nm
Recommended torque	1.10 Nm	2.00 Nm
Gauge	5.28 mm to 5.36 mm	0.00 mm to 0.10 mm

**Environmental data**

Operating temperature range<sup>1</sup> +20 °C to +26 °C  
Rated temperature range of use<sup>2</sup> 0 °C to +50 °C  
Storage temperature range -40 °C to +85 °C

RoHS compliant

<sup>1</sup> Temperature range over which these specifications are valid.

<sup>2</sup> This range is underneath and above the operating temperature range, within the open circuit is fully functional and could be used without damage.

**Declaration of calibration options**

**Factory Calibration**

Standard delivery for this calibration standard includes a Factory Calibration. The Calibration Certificate issued reports individual calibration results, **traceable to Rosenberger standards**, national / international standards are not available. Model based standard definitions are reported in an Agilent/Keysight, Rohde & Schwarz and Anritsu compatible VNA format.

**Accredited Calibration**

Not available.

For further, more detailed information see application note AN001 on the Rosenberger homepage.

**Calibration interval**

Recommendation 12 months

**Packing**

Standard 1 pce in box  
Weight 51.8 g/pce

While the information has been carefully compiled to the best of our knowledge, nothing is intended as representation or warranty on our part and no statement herein shall be construed as recommendation to infringe existing patents. In the effort to improve our products, we reserve the right to make changes judged to be necessary.

Draft	Date	Approved	Date	Rev.	Engineering change number	Name	Date
Marcel Panicke	04.05.15	Martin Moder	08.05.15	e00	14-1492	Herbert Babinger	08.05.15

Rosenberger Hochfrequenztechnik GmbH & Co. KG P.O.Box 1260 D-84526 Tittmoning Germany www.rosenberger.de				Tel. : +49 8684 18-0 Email : info@rosenberger.de		Page 2 / 2
--	--	--	--	---	--	---------------