



Chipsmall Limited consists of a professional team with an average of over 10 year of expertise in the distribution of electronic components. Based in Hongkong, we have already established firm and mutual-benefit business relationships with customers from,Europe,America and south Asia,supplying obsolete and hard-to-find components to meet their specific needs.

With the principle of "Quality Parts,Customers Priority,Honest Operation,and Considerate Service",our business mainly focus on the distribution of electronic components. Line cards we deal with include Microchip,ALPS,ROHM,Xilinx,Pulse,ON,Everlight and Freescale. Main products comprise IC,Modules,Potentiometer,IC Socket,Relay,Connector.Our parts cover such applications as commercial,industrial, and automotives areas.

We are looking forward to setting up business relationship with you and hope to provide you with the best service and solution. Let us make a better world for our industry!



Contact us

Tel: +86-755-8981 8866 Fax: +86-755-8427 6832

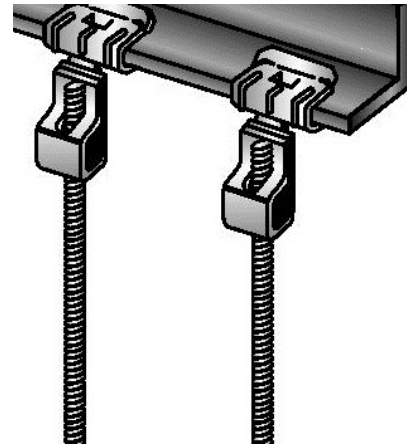
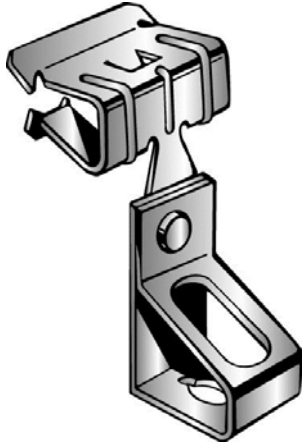
Email & Skype: info@chipsmall.com Web: www.chipsmall.com

Address: A1208, Overseas Decoration Building, #122 Zhenhua RD., Futian, Shenzhen, China



Part Number:

Product Description:



Material Specifications

Type:

Finish:

Color:

Function Specifications

Compatible Wires and Cables

AC/MC CABLE (OD):

Drop Wire:

Plain Rod (in):

Threaded Rods and Bolts

Tapped Holes:

Clearance Holes (in):

Threaded Rod Size (in):

Compatible Conduit

EMT Size (in):

Rigid/IMC (in):

Compatible Flanges and Studs

Flange Size (in):

Metal Stud Size (ins):

Static Load Rating

Vertical (lbs):

Horizontal (lbs):

Other

Codes and Regulatory

Regulatory Certifications:

Country of Origin:

Packaging

General Packaging:

Box Size:

Pieces per Package:

Other Box Features:

Document Information

Created By:

Checked By:

Approved By:

Customer Specification #:

Revision Level:

ECN #:

Date: