



Chipsmall Limited consists of a professional team with an average of over 10 year of expertise in the distribution of electronic components. Based in Hongkong, we have already established firm and mutual-benefit business relationships with customers from,Europe,America and south Asia,supplying obsolete and hard-to-find components to meet their specific needs.

With the principle of “Quality Parts,Customers Priority,Honest Operation,and Considerate Service”,our business mainly focus on the distribution of electronic components. Line cards we deal with include Microchip,ALPS,ROHM,Xilinx,Pulse,ON,Everlight and Freescale. Main products comprise IC,Modules,Potentiometer,IC Socket,Relay,Connector.Our parts cover such applications as commercial,industrial, and automotives areas.

We are looking forward to setting up business relationship with you and hope to provide you with the best service and solution. Let us make a better world for our industry!



Contact us

Tel: +86-755-8981 8866 Fax: +86-755-8427 6832

Email & Skype: info@chipsmall.com Web: www.chipsmall.com

Address: A1208, Overseas Decoration Building, #122 Zhenhua RD., Futian, Shenzhen, China



Customer Information Sheet

DRAWING No.: P70-20X0045R

SHEET 2 OF 2

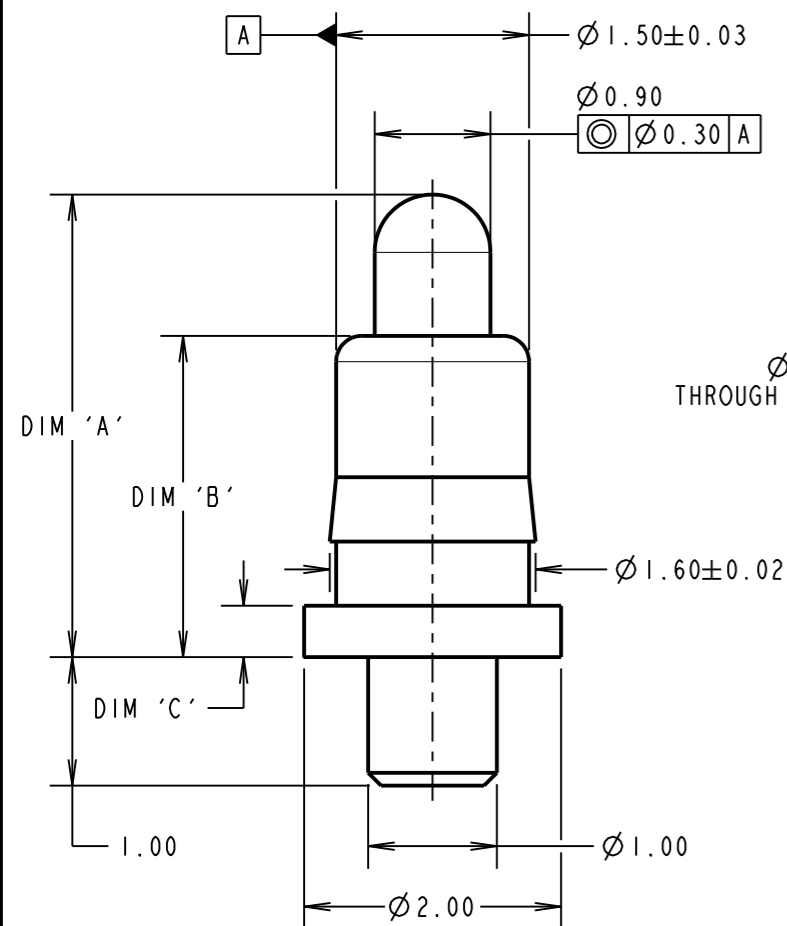
IF IN DOUBT - ASK

©

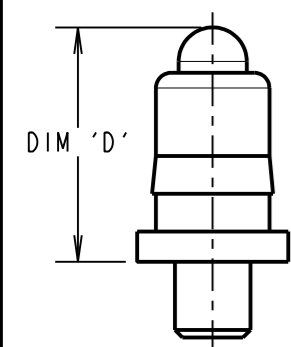
NOT TO SCALE

THIRD ANGLE PROJECTION

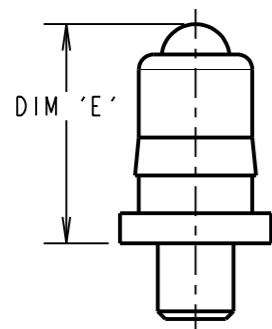
ALL DIMENSIONS IN mm



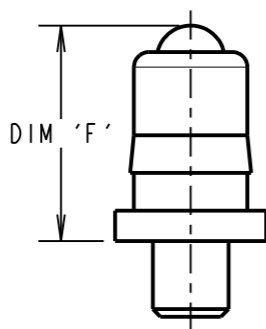
COMPONENT DETAILS



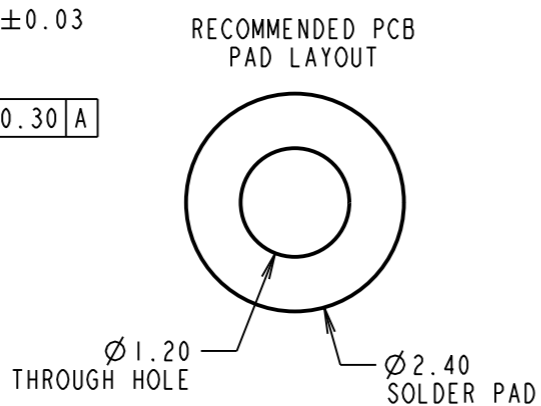
MAXIMUM WORKING HEIGHT



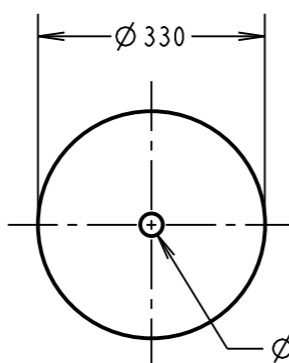
NORMAL WORKING HEIGHT



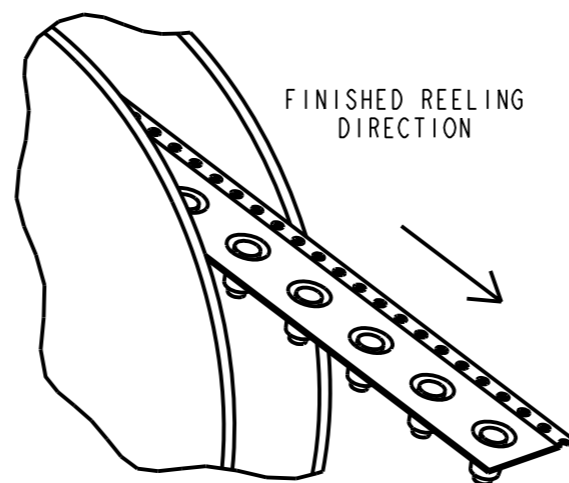
MINIMUM WORKING HEIGHT/MAX ALLOWED TRAVEL



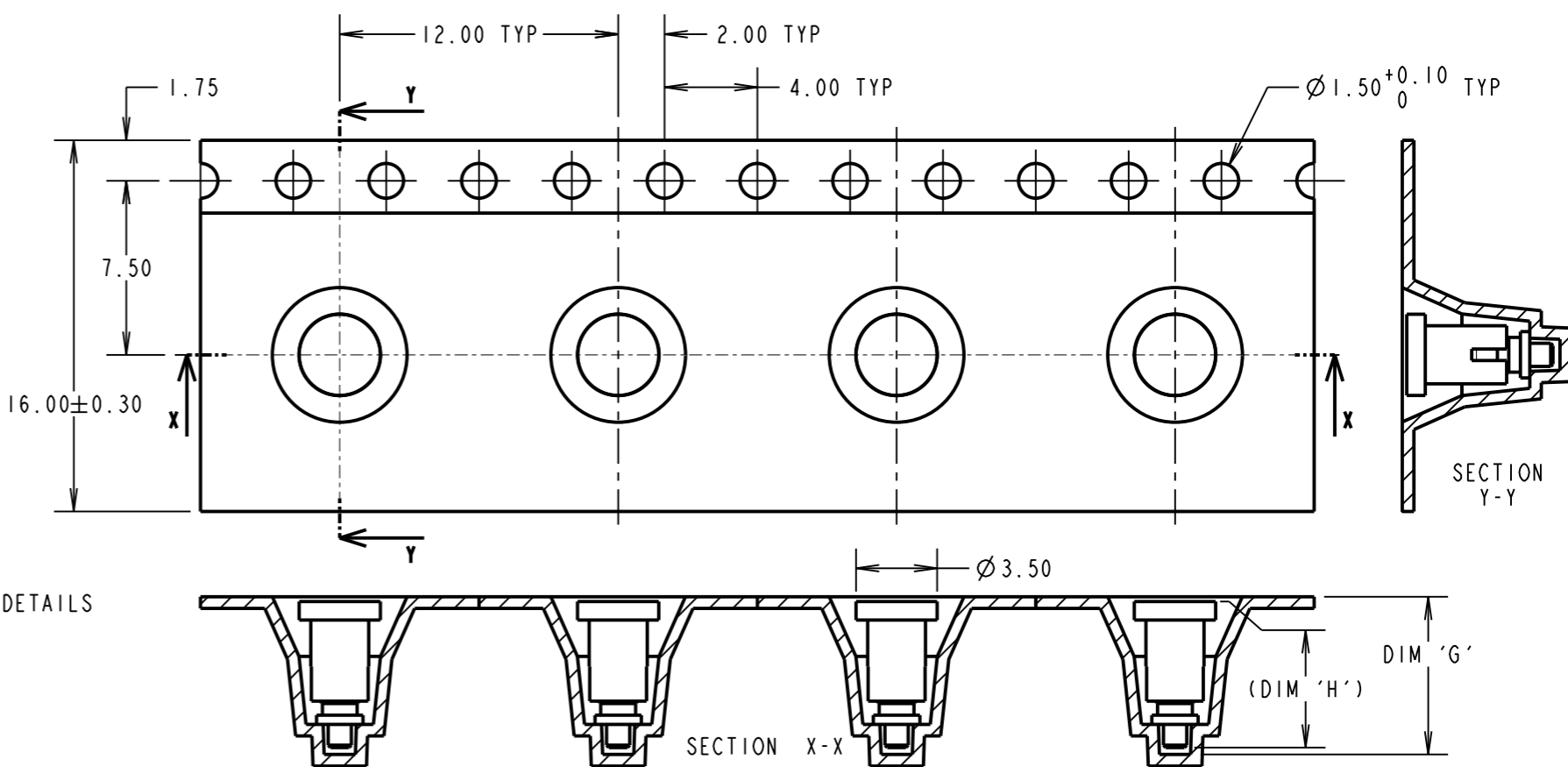
RECOMMENDED PCB PAD LAYOUT



REEL DETAILS



FINISHED REELING DIRECTION



SPECIFICATION:

MATERIAL:
 BODY & PLUNGER = BRASS
 SPRING = STAINLESS STEEL WIRE
PLATING:
 BODY = 0.1µ GOLD OVER 1.4µ NICKEL
 PLUNGER = 0.4µ GOLD OVER 1.4µ NICKEL
ELECTRICAL:
 CONTACT RESISTANCE = 30mΩ MAX
 CURRENT RATING = 2.0A
MECHANICAL:
 FORCE AT NORMAL HEIGHT = SEE TABLE
 DURABILITY = 10,000 CYCLES
ENVIRONMENTAL:
 OPERATING TEMPERATURE = -40°C TO 85°C

NOTES:

- IF ASSEMBLING PIN INTO MOULDING:
 RECOMMENDED HOLE SIZE = Ø 1.56 MIN.
 RECOMMENDED MATERIAL = GLASS FILLED PA46.
- ALL PRODUCTS ARE ROHS AND COMPLIANT.
- PRODUCT IS TAPE AND REELED IN GENERAL ACCORDANCE WITH EIA-481 (ELECTRONIC INDUSTRIES ASSOCIATION).

ORDER CODE:

P70-20X0045R

PART No.: _____
 0, 1
 SEE TABLE FOR SIZES.

PART No.	DIM 'A'	DIM 'B'	DIM 'C'	DIM 'D'	DIM 'E'	DIM 'F'	DIM 'G'	DIM 'H'	PACK SIZE	MECHANICAL FORCE
P70-2000045X	3.60±0.15	2.70	0.40	3.10	2.90	2.85	6.80	6.50	800	1.27N ±0.34N
P70-2010045X	5.00±0.15	3.50	0.50	4.20	4.00	3.85	7.60	7.30	700	1.32N +0.39N/-0.29N

MSP	3	24.01.17	20183
NAME	ISS.	DATE	C/NOTE
APPROVED:		M.PERREN	
CHECKED:		S.BENNETT	
DRAWN:		S.BENNETT	
CUSTOMER REF.:			
ASSEMBLY DRG:			

HARWIN

www.harwin.com
 technical@harwin.com

THIS DRAWING AND ANY INFORMATION OR DESCRIPTIVE MATTER SET OUT HEREON ARE CONFIDENTIAL AND COPYRIGHT PROPERTY OF THE HARWIN GROUP AND MUST NOT BE DISCLOSED, LOANED, COPIED OR USED FOR MANUFACTURING, TENDERING OR FOR ANY OTHER PURPOSE WITHOUT THEIR WRITTEN PERMISSION.

TOLERANCES

X. = ±1mm
 X.X = ±0.25mm
 X.XX = ±0.10mm
 X.XXX = ±0.01mm
 ANGLES = ±5°
 UNLESS STATED

MATERIAL:

SEE ABOVE

FINISH:

SEE ABOVE

S/AREA:

mm²

TITLE:

SMT SPRING LOADED POGO PIN WITH PEG, IN TAPE AND REEL

DRAWING NUMBER:

P70-20X0045R

SHT 2 OF 2