



Chipsmall Limited consists of a professional team with an average of over 10 year of expertise in the distribution of electronic components. Based in Hongkong, we have already established firm and mutual-benefit business relationships with customers from,Europe,America and south Asia,supplying obsolete and hard-to-find components to meet their specific needs.

With the principle of “Quality Parts,Customers Priority,Honest Operation,and Considerate Service”,our business mainly focus on the distribution of electronic components. Line cards we deal with include Microchip,ALPS,ROHM,Xilinx,Pulse,ON,Everlight and Freescale. Main products comprise IC,Modules,Potentiometer,IC Socket,Relay,Connector.Our parts cover such applications as commercial,industrial, and automotives areas.

We are looking forward to setting up business relationship with you and hope to provide you with the best service and solution. Let us make a better world for our industry!



## Contact us

Tel: +86-755-8981 8866 Fax: +86-755-8427 6832

Email & Skype: info@chipsmall.com Web: www.chipsmall.com

Address: A1208, Overseas Decoration Building, #122 Zhenhua RD., Futian, Shenzhen, China



# Customer Information Sheet

DRAWING No.: P70-5000045R

SHEET 2 OF 2

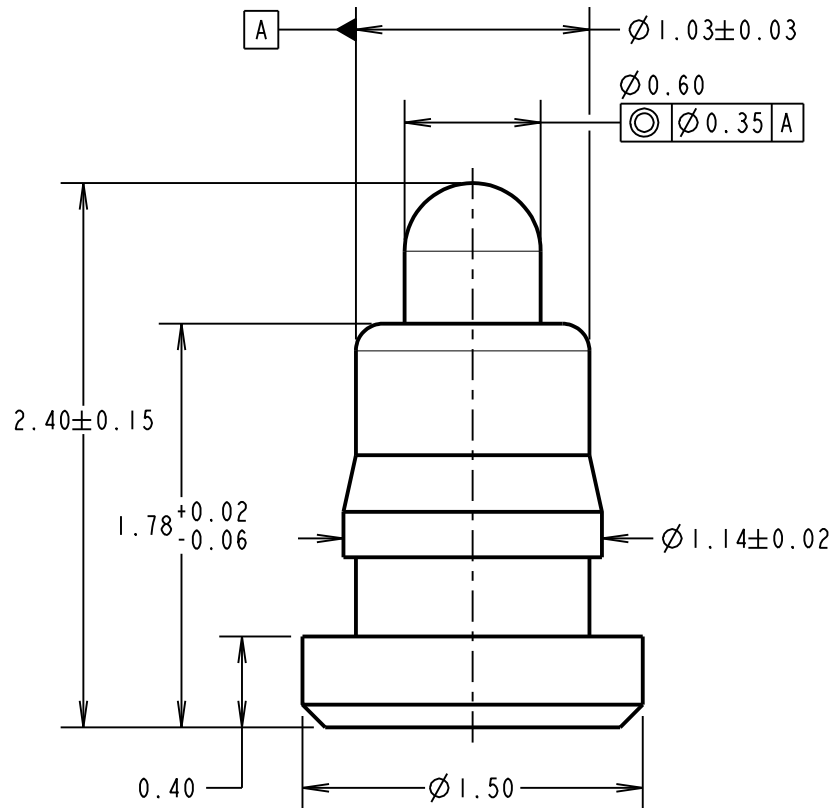
IF IN DOUBT - ASK

©

NOT TO SCALE

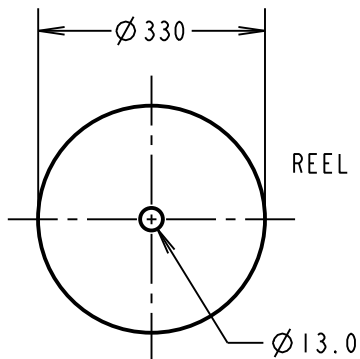
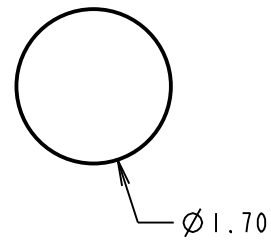
THIRD ANGLE PROJECTION

ALL DIMENSIONS IN mm

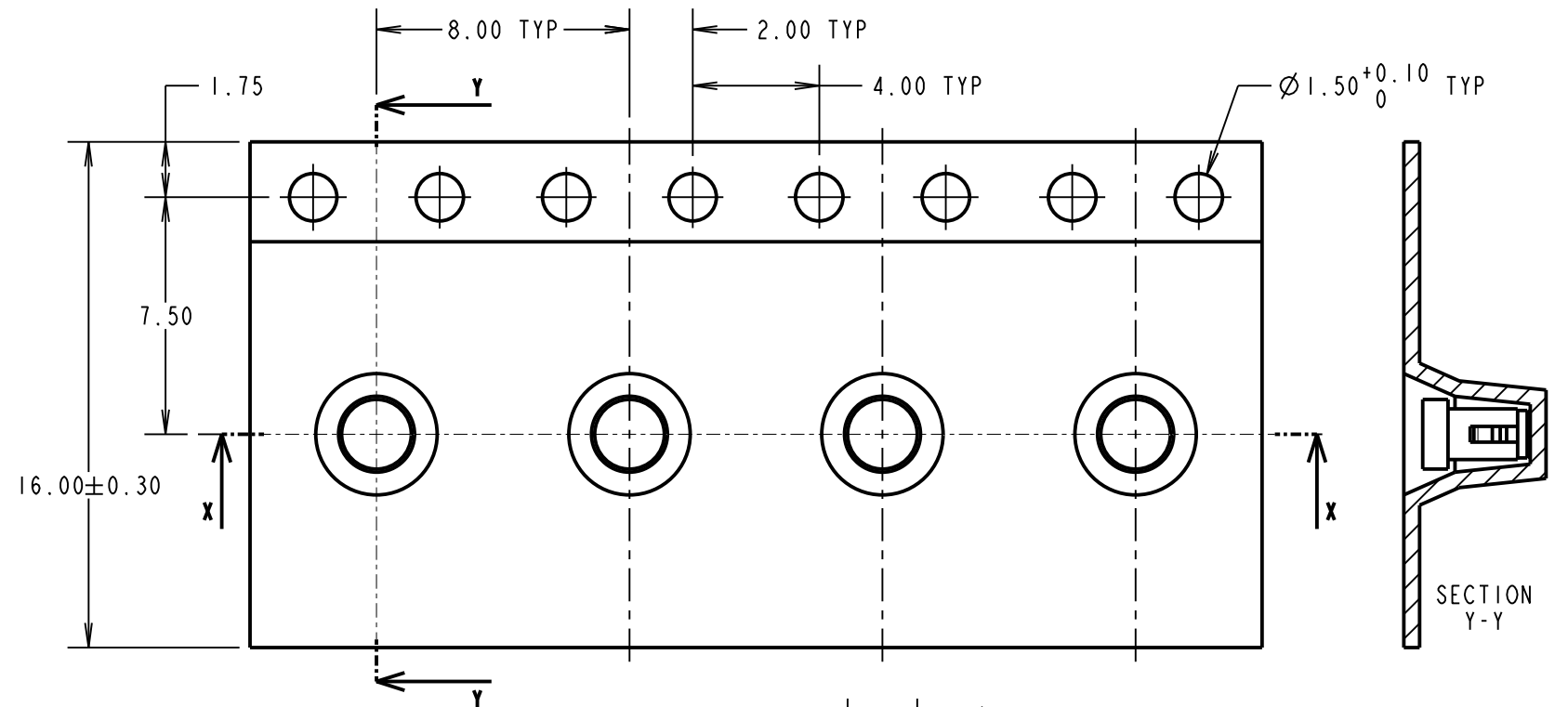


COMPONENT DETAILS

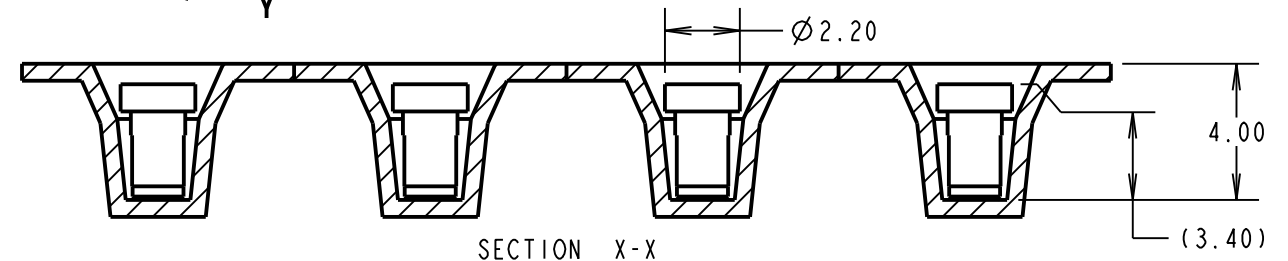
RECOMMENDED PCB LAYOUT



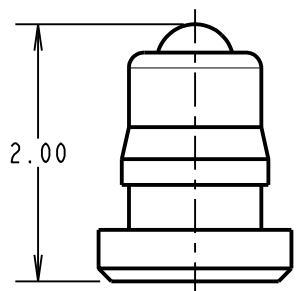
REEL DETAILS



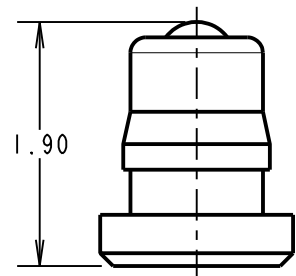
SECTION Y-Y



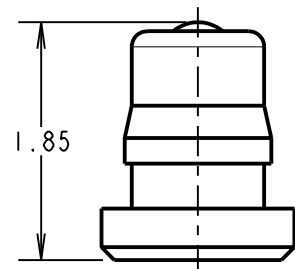
SECTION X-X



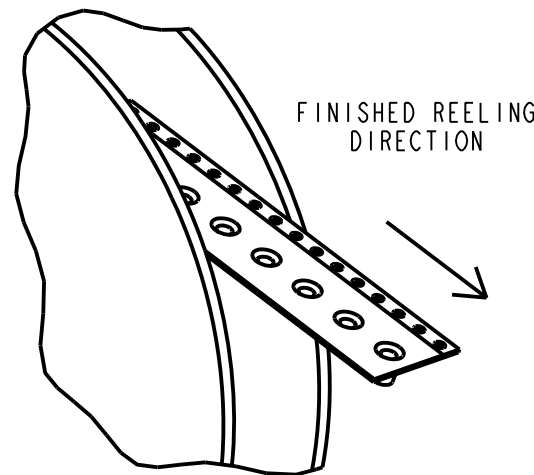
MAXIMUM WORKING HEIGHT



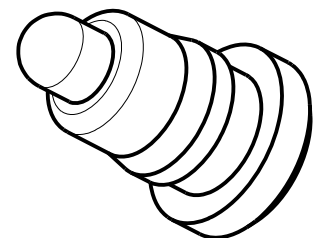
NORMAL WORKING HEIGHT



MINIMUM WORKING HEIGHT/MAX ALLOWED TRAVEL



FINISHED REELING DIRECTION



NOTES:

- IF ASSEMBLING PIN INTO MOLDLING:  
RECOMMENDED HOLE SIZE =  $\varnothing 1.09$  MIN.  
RECOMMENDED MATERIAL = GLASS FILLED NYLON PA46.
- ALL PRODUCTS ARE RoHS AND REACH COMPLIANT.
- PRODUCT IS TAPE AND REELED IN GENERAL ACCORDANCE WITH EIA-481 (ELECTRONIC INDUSTRIES ASSOCIATION).

SPECIFICATION:

MATERIAL:  
BODY & PLUNGER = BRASS  
SPRING = STAINLESS STEEL WIRE  
PLATING:  
BODY =  $0.1\mu$  GOLD OVER  $1.4\mu$  NICKEL  
PLUNGER =  $0.4\mu$  GOLD OVER  $1.4\mu$  NICKEL

ELECTRICAL:  
CONTACT RESISTANCE =  $30m\Omega$  MAX  
CURRENT RATING = 1.0A

MECHANICAL:  
FORCE AT NORMAL HEIGHT =  $0.68N \pm 0.19N$   
DURABILITY = 10,000 CYCLES

ENVIRONMENTAL:  
OPERATING TEMPERATURE =  $-40^{\circ}C$  TO  $85^{\circ}C$   
PACKING:  
QUANTITY: 2000 COMPONENTS PER REEL

MSP	2	19.08.16	20041
NAME	ISS.	DATE	C/NOTE
APPROVED:		M.PERREN	
CHECKED:		S.BENNETT	
DRAWN:		S.BENNETT	
CUSTOMER REF.:			
ASSEMBLY DRG:			

**HARWIN**

www.harwin.com  
technical@harwin.com

THIS DRAWING AND ANY INFORMATION OR DESCRIPTIVE MATTER SET OUT HEREON ARE CONFIDENTIAL AND COPYRIGHT PROPERTY OF THE HARWIN GROUP AND MUST NOT BE DISCLOSED, LOANED, COPIED OR USED FOR MANUFACTURING, TENDERING OR FOR ANY OTHER PURPOSE WITHOUT THEIR WRITTEN PERMISSION.

TOLERANCES

X. =  $\pm 1mm$   
X.X =  $\pm 0.50mm$   
X.XX =  $\pm 0.10mm$   
X.XXX =  $\pm 0.01mm$   
ANGLES =  $\pm 5^{\circ}$   
UNLESS STATED

MATERIAL:

SEE ABOVE

FINISH:

SEE ABOVE

S/AREA:

mm<sup>2</sup>

TITLE:

SMT SPRING LOADED POGO PIN  
IN TAPE AND REEL

DRAWING NUMBER:

P70-5000045R

SHT  
2 OF 2